

DEALER INFORMATION		RTS INFORMATION		
Dealer:	 5711- Calgary Trail NW Edmonton AB T6H 2K1 P:780-437-3300 • F:780-430-9381 AADL Vendor # 0000612578-001	RTS:	Phone:	
PO:		Email:		
Email:		SHIP TO INFORMATION		
Mark For:		Name:	Ship Via:	
TiLite Sales Rep:		Address:	City:	Province: Postal Code:
TiLite Information:		Phone:	Fax:	
Ship Date:	Please Email or Fax to the Permobil Manual Customer Service Team at tilitesales@permobil.com or 866.586.2413 / 509.586.2413			

FRAME STYLE

- AZFS1 **Aero Z Aluminum Frame** (Full Adjustability. 265 Pound Weight Limit. 150 Pound Weight Limit for Rear Seat Width **A** and Seat Depth **B** of 10"x10" to 12"x12". For Rear Seat Width **A** and Seat Depth **B** of 15" or greater, use K0005. For Rear Seat Width **A** and Seat Depth **B** of less than 15", use E1235.) **\$3,260**
- ZHDR1 **Heavy Duty Frame** (300 Pound Weight Limit. No charge when 20" Rear Seat Width **A** and 20" Seat Depth **B** are selected. Includes Tension Adjustable by Straps Back Upholstery. Requires Folding Aluminum Adjustable Height Backrest, Billet Aluminum Front Wheels, Shadow or Spinerdy SPOX Rear Wheels. LX Rear Wheels only available with 0 or 2 degree camber. Not available with SuperLite Edition, Slipstream Fork, Velcro Adjustable Upholstery, Swing Away Tubular Armrest or Swing Away Flip Back Tubular Armrest.) **\$445**
- ZRFR1 **Reinforced Frame** (No charge when 20" Rear Seat Width **A** and 20" **B** Seat Depth are selected.) **\$400**

TRANSIT OPTION

- ZTTD03 Transit Tie-Down (Consists of four Tie-Down Brackets, two Pelvic Belt Mounting Brackets and Reinforced Frame.) **\$445**
(Please refer to the ZR Transport Bracket Supplement for important information regarding the Transit Options. Not Available with ZR.)
- ZWTB Transport Bracket Option (Consists of four Tie-Down Brackets. Unoccupied use only.) **\$445**

FRAME FINISHES

- High Gloss Paint ZFF8 Super Wet Black
- Metallic Paint ZFF14 Ocean Blue Metallic

FRAME FINISHES

- (Color Anodize Package includes: Aluminum Camber Tube (Color Anodize not available with Power Adaptable Camber Tube), Camber Mount, Footrest Clamp, Caster Mount, Footrest Clamp, Caster Fork, Caster Cap and Agility Carbon Back clamps.)
- ZANO1 Black **STD**

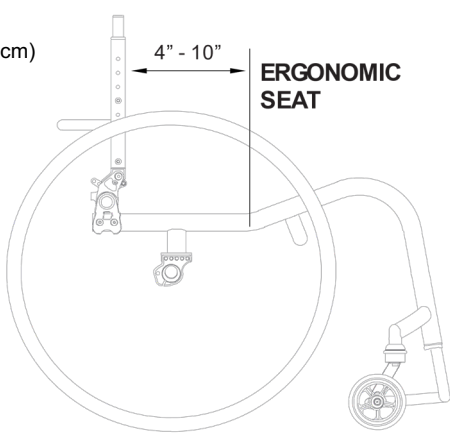
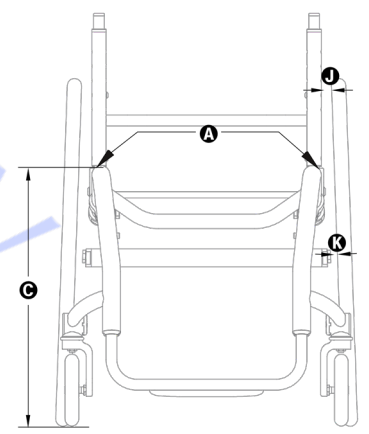
TiFit: TAILORED INDIVIDUALIZED FRAME

- REAR SEAT WIDTH **A**** Measure from outside of seat tube at back post to the outside of the opposite seat tube at back post.
- ZSW4 10" (25.4cm) 11" (27.9cm) 12" (30.5cm) 13" (33cm) 14" (35.6cm) 15" (38.1cm) 16" (40.6cm) 17" (43.2cm) 18" (45.7cm) 19" (48.3cm) **STD**
 - ZSW2 20" (HCPCS code only applies to 20" Rear Seat Width **A**) **\$495**

- FRONT SEAT WIDTH (SEAT TAPER) **B**** Measure from inside of front frame tube to inside of opposite front frame tube. (Required with V-Front End **V**. Not Available with Standard Front End **B**.)
- ZFSW1 No Taper (2.5" (6.4cm) Narrower than Rear Seat Width **A**) **STD**
 - ZFSW3 1.5" (3.8cm) Taper (4" (10.2cm) Narrower than Rear Seat Width **A**. Includes Tension Adjustable by Straps Seat Upholstery. Not available with 10" (25.4cm) and 11" (27.9cm) Seat Widths **A**.) **\$280**
 - ZFSW5 2.5" (6.4cm) Taper (5" (12.7cm) Narrower than Rear Seat Width **A**. Includes Tension Adjustable by Straps Seat Upholstery. Not available with 10" (25.4cm) to 14" (35.6cm) Seat Widths **A**.) **\$280**

- SEAT DEPTH **B**** Measure from front of back post to the front edge of seat sling. Frame bend will start 5" in front of seat sling unless Custom Frame Depth is specified, or the combination of specifications affect the rolling dynamics of the chair.
- ZSD1 10" (25.4cm) 11" (27.9cm) 12" (30.5cm) 13" (33cm) 14" (35.6cm) 15" (38.1cm) 16" (40.6cm) 17" (43.2cm) 18" (45.7cm) 19" (48.3cm) **STD**
 - ZSD2 20" (50.8cm) **\$540**
 - ZSD3 Custom Frame Depth: _____" Frame Depth Longer or Shorter Than Seat Depth **B** (Measure from front of seat sling to beginning of frame bend. Specifications can be given as specific as 1/4" increments A negative Custom Frame Depth or specified above 3" may be available through our Creative Mobility Division. A Custom Frame Depth of 20" will have an additional charge.) **NCO**

- ERGONOMIC SEAT **B**** Measure from front of back post to beginning of upward bend of seat tube.
- ZERG2 **Aero Z Ergonomic Seat** (Center of Gravity adjustment may be affected by this option. Not available with V-Front or Seat Taper, Seat Back that Locks When Folded, Desk Arms, Depth Adjustable Backrests, Fold Down Rigid Sideguards, Fendered



Permobil.com
2701 West Court Street | Pasco, Washington 99301
509.586.6117 Tel | 800.545.2266 Toll-Free
509.586.2413 Fax | 866.586.2413 Toll-Free Fax

TiFit: TAILORED INDIVIDUALIZED FRAME

Adjustable Sideguards, Solid Seat, Tension Adjustable Bolt On Seat Upholstery, or the Curve cushion.)

- 6" (15.2cm) (Minimum Seat Depth 12") 7" (17.8cm) (Minimum Seat Depth 12")
- 8" (20.3cm) (Minimum Seat Depth 13") \$520

FRONT SEAT HEIGHT ● Measure from floor to top of seat tube at front edge of seat sling. ZRA adjusts up and down in .5" increments.

- ZFSH1 16" (40.6cm) 16.5" (41.9cm) 17" (43.2cm) 17.5" (44.5cm) 18" (45.7cm)
- 18.5" (47cm) 19" (48.3cm) 19.5" (49.5cm) 20" (50.8cm) 20.5" (52.1cm)
- 21" (53.3cm) **STD**

REAR SEAT HEIGHT ● Measure from floor to top of seat tube at back post. ZRA adjusts up and down in 1/2" increments.

Rear Wheel Size	Rear Seat Height
20"	12.5" - 18.5" (31.8 - 47cm)
22"	14.0" - 19" (35.6 - 48.3cm)
24"	14.5" - 20" (36.8 - 50.8cm)
25"	14.5" - 20" (36.8 - 50.8cm)
26"	15.5" - 20" (39.4 - 50.8cm)

- ZRSH1 12.5" (31.8cm) 13" (33cm) 13.5" (34.3cm) 14" (35.6cm) 14.5" (36.8cm) 15" (38.1cm)
- 15.5" (39.4cm) 16" (40.6cm) 16.5" (41.9cm) 17" (43.2cm) 17.5" (44.5cm) 18" (45.7cm) 18.5" (47cm)
- 19" (48.3cm) 19.5" (49.5cm) 20" (50.8cm)) **STD**

FRONT ANGLE ● Measure from frame front to floor.

- ZFA1 70° 75° 80° 85° (Not available with 6" Front Wheels.) 90° (Not available with 5" or 6" Front Wheels.) **STD**

SEAT TO FOOTREST ● /**FOOTRESTS** Measure from front edge of seat sling to top rear of footrest.

Standard Footrests Measurement must be at least 2" shorter than Front Seat Height ●.

- 13.5" (34.3cm) 14" (35.6cm) 14.5" (36.8cm) 15" (38.1cm) 15.5" (39.4cm) 16" (40.6cm)
- 16.5" (41.9cm) 17" (43.2cm) 17.5" (44.5cm) 18" (45.7cm) 18.5" (47cm) 19" (48.3cm)

(Due to current supplier issues, titanium footrest options will use aluminum tubing instead of titanium and will be powder coated Black Lava. During this time, these options will be available in aluminum at no charge to our customers. If a titanium footrest is desired at a later point, the option will be offered at on-chair pricing when available.)

- ZFTR3 Angle Adjustable Footrest **STD**
- ZFTR1 Titanium Footrest w/Flat ABS Cover **\$200**
- ZFTR2 Titanium Open Loop Footrest **\$255**
- ZFTR12 Flip-Back Footrest (Not available with 10" or 11" Rear Seat Width A, Heavy Duty Frame, ABS Cover with 2" Sides or Front Roller.) **\$235**
- High Mount Footrest**
- 7"-9" 9"-11" 11"-13" Set at _____ (Use 1/2" increments)
- ZFTR4 Angle Adjustable High Mount Footrest **\$145**

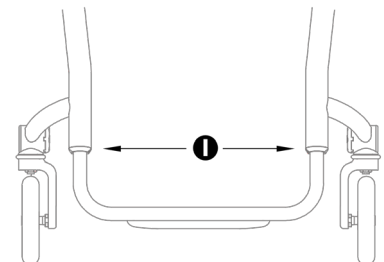
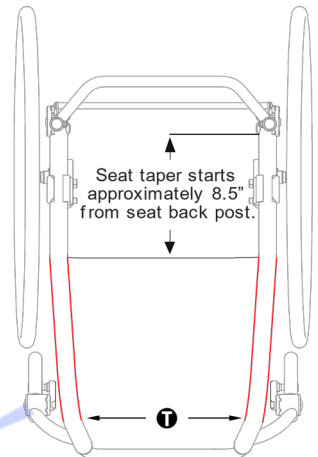
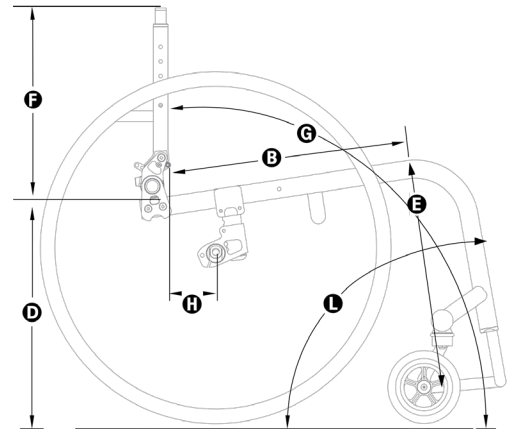
FOOTREST WIDTH ● or ● Select either a Standard Front End ● if no Seat Taper ● is selected or a ●-Front End ● if a Seat Taper ● is selected.

STANDARD FRONT END ● Find your Rear Seat Width ● in the Chart below and select one of the options to the right. Measure from inside of front frame tube to inside of opposite front frame tube. (Not available with Front Seat Width (Seat Taper) ●.)

- ZFE1 **NO** ● -Front Taper (Required when both Heavy Duty Frame and Seat Taper ● are selected.) **STD**

FOOTREST WIDTH ●

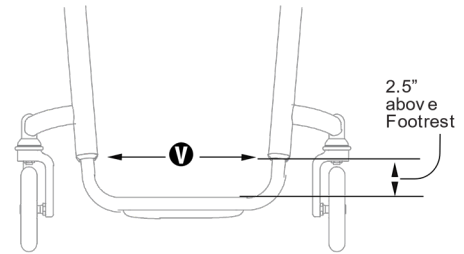
REAR SEAT WIDTH ● (Outside Measurement)	FOOTREST WIDTH ●		
	No Taper (2.5" Narrower than Rear Seat Width)	1.5" Taper (4" Narrower than Rear Seat Width)	3.5" Taper (6" Narrower than Rear Seat Width)
10"	<input type="checkbox"/> 7.5"		
11"	<input type="checkbox"/> 8.5"		
12"	<input type="checkbox"/> 9.5"	<input type="checkbox"/> 8"	
13"	<input type="checkbox"/> 10.5"	<input type="checkbox"/> 9"	
14"	<input type="checkbox"/> 11.5"	<input type="checkbox"/> 10"	
15"	<input type="checkbox"/> 12.5"	<input type="checkbox"/> 11"	<input type="checkbox"/> 9"
16"	<input type="checkbox"/> 13.5"	<input type="checkbox"/> 12"	<input type="checkbox"/> 10"
17"	<input type="checkbox"/> 14.5"	<input type="checkbox"/> 13"	<input type="checkbox"/> 11"
18"	<input type="checkbox"/> 15.5"	<input type="checkbox"/> 14"	<input type="checkbox"/> 12"
19"	<input type="checkbox"/> 16.5"	<input type="checkbox"/> 15"	<input type="checkbox"/> 13"
20"	<input type="checkbox"/> 17.5"	<input type="checkbox"/> 16"	<input type="checkbox"/> 14"



TiFit: TAILORED INDIVIDUALIZED FRAME

OR

V-FRONT END **V** Measure from inside of front frame tube to inside of opposite front frame tube 2-1/2" above footrest. (Required with Front Seat Taper **Ⓢ**. Titanium Footrests have 1" of adjustment up and down. Not available with Ergonomic Seat frames.)



- ZFE2 V-Front Taper **NCO**
- 9" (22.9cm) 10" (25.54m) 11" (27.9cm)
- 12" (30.5cm) 13" (33cm) 14" (35.6cm)
- 15" (38.1cm)

SEAT BACK TYPE/PUSH HANDLES/SEAT BACK HEIGHT **Ⓢ** Measure from top of back post to top of seat tube at rear of frame.

- ZSB1 Folding Aluminum Adjustable Height w/Precision Lock Back (Required for Heavy Duty Frame.) **STD**
- ZSB2 Folding Titanium Adjustable Height w/Precision Lock Back and Rounded Rigidizer Bar (Titanium back will match Frame Finish. Not available with Bolt-On Push Handles.) **\$290**
- ZSB15 Non-Folding, Fixed Height Titanium with New Rounded Rigidizer Bar (Not Available with ZR or Transport Brackets. Titanium back will match Frame Finish. Not available with Push Handles.) **\$325**

TISHAFT™ BACK RELEASE BARS (Not available with Non-Folding, Fixed Height Titanium Back.)

- ZSB3 Aluminum **STD**
- ZSB5 Carbon Fiber **\$85**

PUSH HANDLES

- ZSB6 Integrated Push Handles **NCO**
- ZSB7 Integrated Fold-Down Push Handles (Requires Tension Adjustable by Straps Back Upholstery.) **\$115**
- ZSB8 Bolt-On Push Handles (Includes 4" Deep Backrest Rigidizer Bar. Not available with Ti Back.) **\$200**
- ZSB9 Bolt-On Height-Adjustable Push Handles (Includes 4" Deep Backrest Rigidizer Bar. Not available with Ti Back.) **\$410**

FOLDING SEAT BACK HEIGHT **Ⓢ** (ZSB1 and ZSB2)

Push Handles (Selected Above)	Short	Medium	Tall	Set at: (Use 1/2" increments)
None/ Bolt-On	<input type="checkbox"/> 9.5"-12.5" (24.1-31.7cm)	<input type="checkbox"/> 13"-17.5" (33.0-44.4cm)	<input type="checkbox"/> 17"-21.5" (33.0-44.4cm)	Set at: _____
Integrated	<input type="checkbox"/> 11.5"-13.5" (29.2-34.2cm)	<input type="checkbox"/> 14.5"-17.5" (36.8-44.4cm)	<input type="checkbox"/> 18.5"-21.5" (46.9-54.6cm)	Set at: _____
Integrated Fold-Down	<input type="checkbox"/> 14"-16" (35.5-40.6cm)	<input type="checkbox"/> 15"-19.5" (39.3-49.5cm)	<input type="checkbox"/> 19.5"-22" (49.5-55.8cm)	Set at: _____

NON-FOLDING, FIXED-HEIGHT **Ⓢ** **TITANIUM SEAT BACK** with New Rounded Rigidizer Bar (ZSB15) (Titanium back will match Frame Finish. Required for fixed Side Guards. Not available with ZRA, Swing Away Tubular or Swing Away - Flip Back Tubular Armrests and Integrated Push Handles, Integrated Fold-Down Push Handles or Bolt-On Height Adjustable Push Handles.)

- 8" (20.3cm) 8.5" (21.6cm) 9" (22.9cm) 9.5" (24.1cm) 10" (25.4cm) 10.5" (26.7cm) 11" (27.9cm)
- 11.5" (29.2cm) 12" (30.5cm) 12.5" (31.8cm) 13" (33cm) 13.5" (34.3cm) 14" (35.6) 14.5" (36.8cm)
- 15" (38.1cm) 15.5" (39.4cm) 16" (40.6cm) 16.5" (41.9cm) 17" (43.2cm) 17.5" (44.5cm) 18" (45.7cm)
- 18.5" (47cm) 19" (48.3cm) 19.5" (49.5cm) 20" (50.8cm)

AVAILABLE ON ALL BACKS

- ZSB11 Backrest that Locks when Folded (Not available with Ergonomic Seat.) **STD**
- ZSB12 4" (10 cm) Deep Backrest Rigidizer Bar (Required with Heavy Duty Frame. **Currently available with Aluminum backrest option only.** Not available with a Non-Folding, Fixed Height Titanium Seat Back Type. 4" Deep Rigidizer Bar is NOT a rounded style rigidizer bar.) **NCO**
- ZSB16 Depth Adjustable Back/Frame (Seat Depths **Ⓢ** of 10"-18" allow 2" of rearward adjustment. Height Adjustable Push Handles have a limited height range with Depth Adjustable Back. Not Available with 19" or 20" Seat Depths **Ⓢ**, Heavy Duty Frame, Tension Adjustable By Straps Seat Upholstery or Carbon Fiber Side Guards.) **\$255**

SEAT BACK ANGLE **Ⓢ** Measure angle from front of back post to floor.

- ZSBA1 **Folding Back**
- 80° 83° 86° 89° 92° 95° 98° 101° **STD**
- ZSBA1 **Non-Folding Back**
- 80° 81° 82° 83° 84° 85° 86° 87° 88° 89° 90° 91° 92° 93° 94° 95° 96°
- 97° 98° 99° 100° 101° **NCO**

CENTER OF GRAVITY **Ⓢ** Measure from front of back post at the seat tube to the center of the rear axle. If no center of gravity is selected, chair will ship with the center of gravity in the rearward-most position.

- ZCOG1 0" .25" (.6cm) .5" (1.3cm) .75" (1.9cm) 1" (2.5cm) 1.25" (3.2cm) 1.5" (3.8cm) 1.75" (4.4cm)
- 2" (5.1cm) 2.25" (5.7cm) 2.5" (6.4cm) 2.75" (7cm) 3" (7.6cm) 3.25" (8.3cm) 3.5" (8.9cm)
- 3.75" (9.5cm) 4" (10.2cm) 4.25" (10.8cm) 4.5" (11.4cm) 4.75" (12.1cm) 5" (12.7cm) **STD**

REAR WHEEL SPACING **Ⓢ** /PLUGS Measure from outside of seat back post to inside of rear tire. 0.5" Rear Wheel Spacing on ZR not available with 0° or 2° Camber. ZRA 0.75" Rear Wheel Spacing not available with 0° or 2° Camber **Ⓢ**. Ergonomic Seat selection may limit available center of gravity.

- ZRWS1 .75" (1.9cm) 1" (2.5cm) 1.25" (3.2cm) **STD**

TiLite Z-Series Canadian Order Form - AADL #W396

- ZCBR12 Adjustable Rear Wheel Spacing Camber Plugs (Not available with Power Adaptable Frame.) **STD**
- ZCBR9 Additional Spacers to Increase Rear Wheel Spacing **NCO**
- ZCBR11 Zero Play Aluminum Camber Plugs (Not available with Power Adaptable Frame or more than 6° of Camber ☉.) **NCO**

TiFit: TAILORED INDIVIDUALIZED FRAME

CAMBER ☉ /CAMBER TUBES

- ZCBR1 0° 2° 4° 6° (More than 0° of Camber ☉ is not available with the Power Adaptable Frame. 8° of Camber ☉ may be available through our Creative Mobility Division.) **STD**
- ZCBR15 Aluminum Camber Tube **STD**
- ZCBR3 Titanium Camber Tube (Not available with Power Adaptable Frame.) **\$215**

CUSTOM CONFIGURATION OPTIONS

FRONT WHEELS

- ZFW24 3"x1.5" LiteSpeed Billet Aluminum Wheel w/Soft Roll Tire Silver Hub **OR** Black Hub **\$180**
- ZFW14 4"x.75" Plastic Wheel w/Poly Tire (Not available with Slipstream Fork, Glide™ Single-Sided Fork or Power Adaptable Frame.) **NCO**
- ZFW3 4"x.75" Light-Up Micro-Caster (Not available with Slipstream Fork, Glide™ Single-Sided Fork or Power Adaptable Frame.) **\$80**
- ZFW25 4"x.75" LiteSpeed Billet Aluminum Wheel w/Poly Tire Silver Hub **OR** Black Hub **\$150**
- ZFW26 4"x1.5" LiteSpeed Plastic Wheel w/Soft Roll Tire (Not available with Power Assist, Power Add-on System or Heavy Duty Frame.) **\$95**
- ZFW27 4"x1.5" LiteSpeed Billet Aluminum Wheel w/Soft Roll Tire Silver Hub **OR** Black Hub **\$190**
- ZFW6 5"x1" Plastic Wheel w/Poly Tire (Not available with 90° Front Angle ☉, Slipstream Fork, Glide™ Single-Sided Fork or Power Adaptable Frame.) **NCO**
- ZFW28 5"x1.5" LiteSpeed Plastic Wheel w/Soft Roll Tire (Not available with 90° Front Angle ☉ or Power Adaptable Frame.) **\$95**
- ZFW30 5"x1.5" LiteSpeed Billet Aluminum Wheel w/Soft Roll Tire Silver Hub **OR** Black Hub (Not available with 90° Front Angle ☉.) **\$250**
- ZFW9 6"x1" Plastic Wheel w/Poly Tire (Not available with 85° or 90° Front Angle ☉, Slipstream Fork, Glide™ Single-Sided Fork or Power Adaptable Frame.) **NCO**
- ZFW32 6"x1.5" LiteSpeed Plastic Wheel w/Soft Roll Tire (Not available with 85° or 90° Front Angle ☉, Slipstream Fork, Glide™ Single-Sided Fork or Power Adaptable Frame.) **\$100**
- ZFW33 6"x1.5" LiteSpeed Billet Aluminum Wheel w/Soft Roll Tire Silver Hub **OR** Black Hub (Not available with 85° or 90° Front Angle ☉, Slipstream Fork, Glide™ Single-Sided Fork.) **\$250**

PRECISION LOCK FRONT FORKS

- ZFK1 TiLite Standard Fork **STD**
- ZFK2 TiLite Slipstream Single-Sided Fork (Not available with Heavy Duty Frame or Power Adaptable Frame.) **\$185**
- ZGL1 Out-Front Glide™ Suspension Fork (Black anodize only. Not available with Heavy Duty Frame.) **\$545**
Rider's Weight: 125 lbs. 125-180 lbs. 180-265 lbs.
- ZGL2 Out-Front Glide™ Single-Sided Suspension Fork (Black anodize only. Not available with 6" Front Wheels or Heavy Duty Frame.) **\$680**
Rider's Weight: 125 lbs. 125-180 lbs. 180-265 lbs. (81.64- 120.2kg)
- ZTFS1 Titanium Fork Stem **\$60**

STANDARD REAR WHEELS (See Rear Seat Height Ranges Chart for Rear Seat Height ☉ limitations.)

- ZRW14 TiLite SHADOW™ **STD**
 20"(451)
 22"(501)
 24"(540)
 25"(559) (Requires 15" minimum Seat Depth ☉.)
 26"(590) (Requires 15" minimum Seat Depth ☉.)

PERFORMANCE REAR WHEELS (See Rear Seat Height Ranges Chart for Rear Seat Height ☉ limitations.)

- ZRW7 Spinergy SPOX Black Red Yellow Blue White **\$900**
 22"(501) - Std. Hub
 24"(540) - Std. Hub
 25"(559) - Std. Hub (Requires 15" minimum Seat Depth ☉.)
 26"(590) - Sport Hub (Requires 15" minimum Seat Depth ☉. Not available with Quad Release Axles.)
- ZRW8 Spinergy LX Black Red Yellow Blue White Go Green Bright Orange Flamingo Pink **\$1,055**
 22"(501) - Std. Hub
 24"(540) - Std. Hub
 25"(559) - Std. Hub (Requires 15" minimum Seat Depth ☉.)
 26"(590) - Sport Hub (Requires 15" minimum Seat Depth ☉. Not available with Quad Release Axles.)
- ZRW16 Spinergy Carbon Blade (Not available with Heavy Duty Frame, Natural-Fit or Natural-Fit LT with Standard Grip or Super Grip.) **\$1,540**
 24"(540)
 25"(559) (Requires 15" minimum Seat Depth ☉.)

TiLite Z-Series Canadian Order Form - AADL #W396

ZRW17	X-Core Mag (Not available with Heavy Duty Frame, Short Tabs, Quad Release Axles, Spoke Guards or Omit Handrims Option. Requires Aluminum Sliver Anodized Handrims.)	\$110
	<input type="checkbox"/> 20"(451)	
	<input type="checkbox"/> 22"(501)	
	<input type="checkbox"/> 24"(540)	

CUSTOM CONFIGURATION OPTIONS

AXLES

ZAXL1	<input type="checkbox"/> Stainless Quick Release	STD
ZAXL2	<input type="checkbox"/> Titanium Quick Release	\$290
ZAXL3	<input type="checkbox"/> Quad Release (Not available with Mag or 26"(590) Spinergy Spox or LX Rear Wheels.)	\$170

PNEUMATIC REAR TIRES

ZRTR1	<input type="checkbox"/> Treaded (Not available with 25"(559) or 20" (451) Rear Wheels.)	STD
ZRTR2	<input type="checkbox"/> Airless Inserts (Not available with Spinergy Carbon Blade Rear Wheels.)	\$90
ZRTR3	<input type="checkbox"/> 25"(559) Primo Treaded (Standard with 25"(559) Rear Wheels.)	STD
ZRTR4	<input type="checkbox"/> Primo Slick	NCO
ZRTR30	<input type="checkbox"/> 24"(540), 25"(559) and 26"(590) Primo Sentinel	\$160
ZRTR8	<input type="checkbox"/> 24"(540), 25"(559) and 26"(590) Schwalbe® Marathon Plus Evolution	\$155
ZRTR9	<input type="checkbox"/> 24"(540) and 25"(559) Schwalbe® Slick	\$150
ZRTR24	<input type="checkbox"/> 24"(540) Kenda Kobra Knobby	\$95

SOLID REAR TIRES (Not available with Spinergy Carbon Blade Rear Wheels.)

ZRTR22	<input type="checkbox"/> 20"(451), 22"(501), 24"(540) and 25"(559) Primo Express	\$110
ZRTR23	<input type="checkbox"/> 24"(540) and 25"(559) Primo Active	\$135

HANDRIMS

Handrims by OUT-FRONT®

ZRIM1	<input type="checkbox"/> Aluminum – Silver Anodized	STD
ZRIM21	<input type="checkbox"/> Aluminum – Black Anodized (Not available with 20"(451) Rear Wheels.)	\$60
ZRIM12	<input type="checkbox"/> Titanium – Satin Finish (Not available with 20"(451) or 22"(501) Rear Wheels, or 24"(540) Knobby tires.)	\$490

The Natural-Fit® (Original, Larger Profile) (Not available with 20"(451) Rear Wheels.)

ZRIM14	<input type="checkbox"/> Standard Grip (Not available with Short Tabs or Spinergy Carbon Blade Rear Wheels.)	\$415
ZRIM15	<input type="checkbox"/> Super Grip (Not available with Short Tabs or Spinergy Carbon Blade Rear Wheels.)	\$470
ZRIM16	<input type="checkbox"/> Without Thumb Grip	\$380

The Natural-Fit® LT (Reduced Weight, Smaller Profile) (Not available with 20"(451) Rear Wheels.)

TRIM17	<input type="checkbox"/> Standard Grip (Not available with Short Tabs or Spinergy Carbon Blade Rear Wheels.)	\$500
TRIM18	<input type="checkbox"/> Super Grip (Not available with Short Tabs or Spinergy Carbon Blade Rear Wheels.)	\$535
TRIM19	<input type="checkbox"/> Without Thumb Grip	\$460
ZRIM10	<input type="checkbox"/> The Surge (All-In-One Oval with Gription™ Strip, Larger Profile) (Not available with 20"(451) Rear Wheels.)	\$435
ZRIM11	<input type="checkbox"/> The Surge LT (All-In-One Oval with Gription™ Strip, Larger Profile) (Not available with 20"(451) Rear Wheels.)	\$470
ZRIM20	<input type="checkbox"/> Q-Grip (Exclusive High-Friction, Anti-Slip Coating) (Not available with 20"(451) Rear Wheels.)	\$375

Additional Handrim Options

ZRIM5	<input type="checkbox"/> Plastic Coated – Black	\$160
ZRIM22	<input type="checkbox"/> Omit Handrims	NCO

Tab Length

ZRIM7	<input type="checkbox"/> Long Tabs	STD
ZRIM8	<input type="checkbox"/> Short Tabs (Not available with Mag Rear Wheels or The Natural-Fit® Handrims with Thumb Grip.)	\$35

WHEEL LOCKS

Wheel Locks by OUT-FRONT®

ZWLK7	<input type="checkbox"/> Compact Composite Push to Lock (Available with .75" to 1.5" Rear Wheel Spacing Ⓢ only.)	NCO
ZWLK8	<input type="checkbox"/> Compact Composite Pull to Lock (Available with .75" to 1.5" Rear Wheel Spacing Ⓢ only.)	NCO
Z2WLK10	<input type="checkbox"/> Extension Handles for Compact Composite Push/Pull to Lock	\$85
ZWLK9	<input type="checkbox"/> Composite Scissor Lock	\$175

Additional Wheel Locks

ZWLK3	Uni-Lock Set At: <input type="checkbox"/> Push OR <input type="checkbox"/> Pull	\$165
ZWLK4	<input type="checkbox"/> Extension Handles for Uni-Lock	\$85
ZWLK15	<input type="checkbox"/> Grade Aids Push to Lock (Not available with solid rear tires)	\$230

BACK UPHOLSTERY (Want more seating options? View the TiLite Seating Order Form on our website.)

ZBUP2	<input type="checkbox"/> Velcro Adjustable (Not available with Fold-Down Push Handles.)	STD
Tension Adjustable by Straps (Required with Fold-Down Push Handles.)		
ZBUP3	<input type="checkbox"/> Padded Nylon	\$415

TiLite Z-Series Canadian Order Form - AADL #W396

Effective October 1, 2021 (New Items in Red)

MONO-TUBE RIGID FRAME

Page 6 of 7

ZBUP5	<input type="checkbox"/> AIR Breathable Upholstery (Not available with Ultrasuede Backrest Stripe.)	\$400
ZUPC3	Ultrasuede Backrest Stripe <input type="checkbox"/> Black	\$105
ZBUP0	<input type="checkbox"/> Omit Back Upholstery	NCO

SEAT UPHOLSTERY

ZSUP1	<input type="checkbox"/> Tension Adjustable Bolt On (Not available with Ergonomic Seat or Tapered Seat ①. Black only.)	STD
ZSUP2	<input type="checkbox"/> Tension Adjustable by Straps (Standard with Ergonomic Seat and Front Seat Width (Seat Taper) ① of 1", 2" or 3". Black upholstery only.)	\$185
ZSUP8	<input type="checkbox"/> Aluminum Solid Seat (Not available with 10" or 11" Rear Seat Width ② or Ergonomic Seat ①.)	\$285
ZSUP0	<input type="checkbox"/> Omit Seat	NCO

CUSTOM CONFIGURATION OPTIONS

SEAT CUSHION (Want more seating options? View the TiLite Seating Order Form on our website.)

ZCSH2	<input type="checkbox"/> Comfort Curve Cushion	\$155
-------	--	-------

SIDE GUARDS

Z2SDG1	<input type="checkbox"/> Cloth (Not available with Ride Designs Corbac Back Support.)	\$120
--------	---	-------

Aluminum

ZSDG2	<input type="checkbox"/> Rigid Removable <input type="checkbox"/> Small OR <input type="checkbox"/> Std	\$290
ZSDG3	<input type="checkbox"/> Quad Removable w/Hole <input type="checkbox"/> Small OR <input type="checkbox"/> Std	\$315
ZSDG4	<input type="checkbox"/> Fold Down Rigid <input type="checkbox"/> Small OR <input type="checkbox"/> Std (Not available with Ergonomic Seat.)	\$375
ZSDG6	<input type="checkbox"/> Fendered Adjustable (Available with 24" and 25" Rear Wheels. Requires Rear Seat Height ① of 14.5" to 18.5".)	\$400

Carbon Fiber

ZSDG7	<input type="checkbox"/> Rigid Removable <input type="checkbox"/> Small OR <input type="checkbox"/> Std	\$340
ZSDG8	<input type="checkbox"/> Quad Removable w/Hole <input type="checkbox"/> Small OR <input type="checkbox"/> Std	\$375
ZSDG9	<input type="checkbox"/> Fold Down Rigid <input type="checkbox"/> Small OR <input type="checkbox"/> Std (Not available with Ergonomic Seat.)	\$510
ZSDG11	<input type="checkbox"/> Fendered Adjustable (Available with 24" and 25" Rear Wheels. Requires Rear Seat Height ① of 14.5" to 18.5".)	\$565
ZSDG12	<input type="checkbox"/> Fendered Removable	\$510

Available on Aluminum and Carbon Fiber Non-Fendered Side Guards

ZSDG13	<input type="checkbox"/> Side Guards Custom Cut to Profile of Rear Wheels (Not available with Cloth.)	\$315
--------	---	-------

ARMRESTS (Desk Arms come with built-in Side Guards.)

ZARM1	Swing Away Tubular <input type="checkbox"/> 6.5" to 9.5" OR <input type="checkbox"/> 9.5" to 12.5" (Not Available with Heavy Duty Frame or Height Adjustable Push Handles.)	\$260
ZARM4	<input type="checkbox"/> Swing Away Height Adjustable 8.5" to 11.5" - Flip Back Tubular (Not Available with Heavy Duty Frame.)	\$315
ZARM2	Removable Height Adjustable Desk Arm with Rigid Side Guard (Requires 14" minimum Seat Depth ②. Not available with Ergonomic Seat.)	\$360
	<input type="checkbox"/> 9" to 12" (22.9 to 30.5cm) OR <input type="checkbox"/> 12" to 15" (30.5-38.1cm)	
	<input type="checkbox"/> Standard Length Pad (10" (25.5cm)) OR <input type="checkbox"/> Full Length Pad (14" (35.5cm))	
ZARM3	Removable Height Adjustable Desk Arm with Rigid Side Guard and Transfer Loop (Requires 15" minimum Seat Depth ②. Not Available with Ergonomic Seat.)	\$375
	<input type="checkbox"/> 9" to 12" (22.9 to 30.5cm) OR <input type="checkbox"/> 12" to 15" (30.5-38.1cm)	
	<input type="checkbox"/> Standard Length Pad (10" (25.5cm)) OR <input type="checkbox"/> Full Length Pad (14" (35.5cm))	

Available Armrest Option

ZARM5	<input type="checkbox"/> Covered in Black Ultrasuede (Not available with Desk Arms)	\$115
-------	---	-------

SEAT BELTS

ZBLT1	<input type="checkbox"/> Velcro Adjustable, Black Nylon Webbing	\$55
ZBLT2	<input type="checkbox"/> Bodypoint® 2" Push-Button Buckle (Auto-Style.)	\$95
ZBLT4	<input type="checkbox"/> Bodypoint® 1" Wide Push-Button Buckle Padded (Auto-Style.) (Not available with 19" or 20" Rear Seat Widths ②.)	\$170
ZBLT5	<input type="checkbox"/> Bodypoint® 1.5" Wide Push-Button Buckle Padded (Auto-Style.) (Not available with 19" or 20" Rear Seat Widths ②.)	\$170
ZBLT8	<input type="checkbox"/> Q'Strain® WC-19 Wheelchair-Anchored Pelvic Belt (Recommended for use with Transit Tie Down. Not Available with ZR.)	\$200
ZBLT10	<input type="checkbox"/> Bodypoint® Optional Band Clamp Mounting Hardware	\$20
ZBLT15	<input type="checkbox"/> Bodypoint® EvoFlex® Pelvic Stabilizer Swivel	\$240
ZBLT16	<input type="checkbox"/> Bodypoint® EvoFlex® Pelvic Stabilizer Push Button	\$240
ZBLT17	<input type="checkbox"/> Bodypoint® EvoFlex® Pelvic Stabilizer Rehab Latch	\$240

CALF STRAP

ZCLF2	Velcro Adjustable	\$45
	<input type="checkbox"/> Xtra Small (Recommended for 6" - 9" Footrest Widths.)	
	<input type="checkbox"/> Small (Recommended for 9" - 12" Footrest Widths.)	
	<input type="checkbox"/> Medium (Recommended for 11" - 15" Footrest Widths.)	
	<input type="checkbox"/> Large (Recommended for 14" - 17" Footrest Widths.)	
	<input type="checkbox"/> Xtra Large (Recommended for 16" - 19" Footrest Widths.)	

TiLite Z-Series Canadian Order Form - AADL #W396

Effective October 1, 2021 (New Items in Red)

MONO-TUBE RIGID FRAME

Page 7 of 7

ZCLF3	Bodypoint® Padded Velcro Adjustable	\$80
	<input type="checkbox"/> Small (Recommended for 8" - 11" Footrest Widths.)	
	<input type="checkbox"/> Medium (Recommended for 11" - 15" Footrest Widths.)	
	<input type="checkbox"/> Large (Recommended for 16" - 19" Footrest Widths.)	
ZCLF1	<input type="checkbox"/> Buckle Adjustable, Black Nylon Webbing	\$30

RESIDUAL LIMB SUPPORT

ZRSL1	<input type="checkbox"/> Residual Limb Support	\$515
ZRSL2	<input type="checkbox"/> Residual Limb Support Pair (Both Left and Right Pad information required)	\$1,030
	Left Pad Width <input type="checkbox"/> 8" <input type="checkbox"/> 9" <input type="checkbox"/> 10" Right Pad Width <input type="checkbox"/> 8" <input type="checkbox"/> 9" <input type="checkbox"/> 10"	
	Left Pad Length <input type="checkbox"/> 10" <input type="checkbox"/> 14" Right Pad Length <input type="checkbox"/> 10" <input type="checkbox"/> 14"	

CUSTOM CONFIGURATION OPTIONS

BACKPACK

ZBCK3	<input type="checkbox"/> Black Permobil Backpack	\$90
-------	--	-------------

SEAT POUCH

ZPCH3	<input type="checkbox"/> Black Permobil Seat Pouch	\$60
ZPCH4	<input type="checkbox"/> Bodypoint® Mobility Bag	\$130

SPOKE GUARDS

ZGRD1	<input type="checkbox"/> Clear Lexan with TiMotion Logo (Not available with MagRear Wheels.)	\$135
-------	--	--------------

ANTI-TIPS

ZTIP1	<input type="checkbox"/> Rear Aluminum - Black	\$195
ZTIP7	<input type="checkbox"/> Black Aluminum Single	\$70
	Mount on <input type="checkbox"/> Left Side or <input type="checkbox"/> Right Side	NCO
ZTIP2	<input type="checkbox"/> User Friendly Flip-up Pair	\$360
ZTIP8	<input type="checkbox"/> User Friendly Flip-up Single	\$165
	Mount on <input type="checkbox"/> Left Side or <input type="checkbox"/> Right Side	NCO

ACCESSORIES

ZUEST1	Upper Extremity Support Tray <input type="checkbox"/> 12" to 14" OR <input type="checkbox"/> 13" to 15" Seat Widths A (Requires Armrests.)	\$290
ZLUG1	<input type="checkbox"/> Luggage Carriers	\$145
ZMPCT2	Neoprene Impact Guards with Ultrasuede Stripe <input type="checkbox"/> Black	\$105
ZCH1	<input type="checkbox"/> Crutch Holder	\$145

GENERAL

Permobil manufactures TiLite manual wheelchairs in a wide variety of configurations to meet the varied needs of wheelchair users. The final selection of a particular model, its options and accessories, and its measurements rests solely with the wheelchair user and advising healthcare professional. These wheelchairs must be fitted by a qualified healthcare professional. HCPCS Codes are for reference purposes only. Actual coding and coverage varies by payer. Proper HCPCS coding is not a guarantee of payment. Please verify the appropriate payer's coverage policy.

Get the latest order forms at permobilus.com. Prices, standard features, options and accessories are subject to change without notice. All rights reserved. Trademarks are identified by symbols™ and ©. TiLite, TiFit, the TiLite logo, Ti, the Ti logo, The Titanium Experts, and TiShaft are registered trademarks of TiSport, LLC and are licensed to Permobil. Permobil® is a registered trademark of Permobil. Adobe®, Acrobat®, Acrobat Professional® and Reader® are registered trademarks of Adobe Systems Inc. Bodypoint® is a registered trademark of Bodypoint Inc. Kenda® is a registered trademark of Kenda Rubber Industrial Co. Ltd. Ride Designs® and Corbac® are registered trademarks of Aspen Seating, LLC. ROHO®, Low Profile® and Quadro Select® are registered trademarks of ROHO Inc. Schwalbe® is a registered trademark of Ralf Bohle GmbH. Supracor®, Stimulite® and Corbee® are registered trademarks of Supracor, Inc. The Natural-Fit® and Out-Front® are registered trademarks of Three Rivers Holdings, LLC. Varilite® is a registered trademark of Cascade Designs, Inc.

NOTES