

TiLite T-Series Canadian Order Form - AADL #W395 Discount is 5%

Effective October 1, 2021 (New Items in Red)

DUAL-TUBE RIGID FRAME

Page 1 of 7

DEALER INFORMATION		RTS INFORMATION	
Dealer:	 5711- Calgary Trail NW Edmonton AB T6H 2K1 P:780-437-3300 • F:780-430-9381 AADL Vendor # 0000612578-001	RTS:	Phone:
PO:		Email:	
Email:		SHIP TO INFORMATION	
Mark For:		Name:	Ship Via:
TiLite Sales Rep:		Address:	
TiLite Information:	City:	Province:	Postal Code:
Ship Date:	Phone:	Fax:	

Please Email or Fax to the Permobil Manual Customer Service Team at tilitesales@permobil.com or 866.586.2413 / 509.586.2413

FRAME STYLE	
ATFS1	<input type="checkbox"/> Aero T Aluminum Frame (Full Adjustability. 265 Pound Weight Limit. For Rear Seat Width A and Seat Depth B of 15" or greater, use K0005. For Rear Seat Width A and Seat Depth B of less than 15", use E1235.) \$3,660
THDR1	<input type="checkbox"/> Heavy Duty Frame (Not Available with TR Titanium Frame. 350 Pound Weight Limit. No charge when 20" Rear Seat Width A and 20" Seat Depth B are selected. Includes Tension Adjustable by Straps Back Upholstery. Requires Folding Aluminum Adjustable Height Backrest, Billet Aluminum Front Wheels, Shadow or Spinergy SPOX Rear Wheels. LX Rear Wheels only available with 0 or 2 degree camber. Not available with SuperLite Edition, Slipstream Fork, Velcro Adjustable Upholstery, Open Loop Footrest, V-Front Taper or Glide™ Forks.) \$445
TQST1	<input type="checkbox"/> Q'Straint Adaptable Frame (350 Pound Weight Limit. No charge when 20" Rear Seat Width A and 20" Seat Depth B are selected. Includes Tension Adjustable by Straps Back Upholstery. Requires Folding Aluminum Adjustable Height Backrest, Billet Aluminum Front Wheels, Shadow or Spinergy SPOX Rear Wheels. LX Rear Wheels. only available with 0 or 2 degree camber. Not available with SuperLite Edition, Slipstream Fork, Velcro Adjustable Upholstery, Open Loop Footrest, V-Front Taper or Glide™ Forks.) \$445
TRFR1	<input type="checkbox"/> Reinforced Frame (No charge when 20" Rear Seat Width A and 20" B Seat Depth are selected.) \$400

FRAME FINISHES	
High Gloss Paint	<input type="checkbox"/> TFF8 Super Wet Black
Metallic Paint	<input type="checkbox"/> TFF14 Ocean Blue Metallic

COLOR ANODIZE PACKAGE	
<i>(Color Anodize Package includes: Aluminum Camber Tube (Color Anodize not available with Power Adaptable Camber Tube), Camber Mount, Footrest Clamp, Caster Mount, Footrest Clamp, Caster Fork, Caster Cap and Agility Carbon Back clamps)</i>	
<input type="checkbox"/> TANO1 Black STD

TiFit: TAILORED INDIVIDUALIZED FRAME

REAR SEAT WIDTH A Measure from outside of seat tube at back post to the outside of the opposite seat tube at back post.

TSW1	<input type="checkbox"/> 12" <input type="checkbox"/> 13" <input type="checkbox"/> 14" <input type="checkbox"/> 15" <input type="checkbox"/> 16" <input type="checkbox"/> 17" <input type="checkbox"/> 18" <input type="checkbox"/> 19" STD
TSW2	<input type="checkbox"/> 20" \$495

FRONT SEAT WIDTH (SEAT TAPER) B Measure from inside of front frame tube to inside of opposite front frame tube. (Required with V-Front End **D**. Not Available with Standard Front End **E**.)

TFSW1	<input type="checkbox"/> No Taper STD
TFSW2	<input type="checkbox"/> 1" (2.5cm) Taper (3" Narrower than Rear Seat Width A . Includes Tension Adjustable by Straps Seat Upholstery.) \$280
TFSW4	<input type="checkbox"/> 2" (5.1cm) Taper (4" Narrower than Rear Seat Width A . Includes Tension Adjustable by Straps Seat Upholstery.) \$280
TFSW6	<input type="checkbox"/> 3" (7.6cm) Taper (5" Narrower than Rear Seat Width A . Includes Tension Adjustable by Straps Seat Upholstery. Not available with 12" Seat Width.) \$280

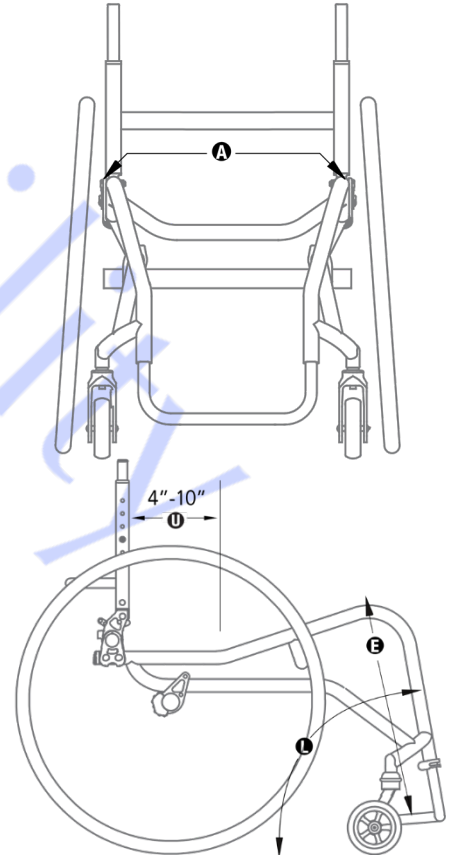
SEAT DEPTH C Measure from front of back post to the front edge of seat sling. Frame bend will start .5" in front of seat sling unless Custom Frame Depth is specified, or the combination of specifications affect the rolling dynamics of the chair.

TSD1	<input type="checkbox"/> 12" <input type="checkbox"/> 13" <input type="checkbox"/> 14" <input type="checkbox"/> 15" <input type="checkbox"/> 16" <input type="checkbox"/> 17" <input type="checkbox"/> 18" <input type="checkbox"/> 19" STD
TSD2	<input type="checkbox"/> 20" \$540
TSD3	<input type="checkbox"/> Custom Frame Depth: _____" Frame Depth Longer or Shorter Than Seat Depth (Measure from front of seat sling to beginning of frame bend. Ranges from 0.25" to 3" and can be given as specific as 1/4" increments. A negative Custom Frame Depth or specified above 3" may be available through our Creative Mobility Division. A Custom Frame Depth of 20" will have an additional charge) NCO

ERGONOMIC SEAT D Measure from front of back post to beginning of upward bend of seat tube.

TERG2

- AeroT Ergonomic Seat** (Center of Gravity adjustment may be affected by this option. Not available with V-Front or Seat Taper, Seat Back that Locks When Folded, Desk Arms, Depth Adjustable Backrests, Fold Down Rigid Sideguards, Fendered Adjustable Sideguards, Solid Seat, Tension Adjustable Bolt On Seat Upholstery, or the Curve cushion.)
- 6" (15.2cm) (Minimum Seat Depth **C** 12") 7" (17.8cm) (Minimum Seat Depth **C** 12")
- 8" (20.3cm) (Minimum Seat Depth **C** 13") **\$520**



Permobil.com
2701 West Court Street | Pasco, Washington 99301
509.586.6117 Tel | 800.545.2266 Toll-Free
509.586.2413 Fax | 866.586.2413 Toll-Free Fax

TiFit: TAILORED INDIVIDUALIZED FRAME

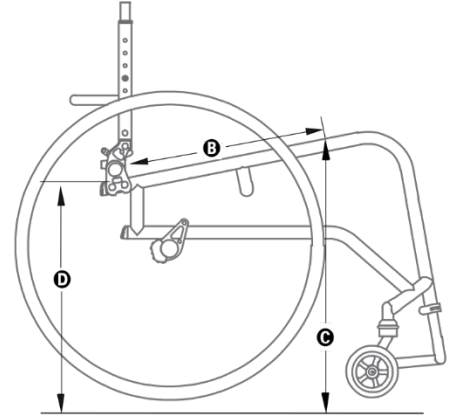
FRONT SEAT HEIGHT ● Measure from floor to top of seat tube at front edge of seat sling.

- TFSH1 15" (38.1cm) 16" (40.6cm) 16.5" (41.9cm) 17" (43.2cm) 17.5" (44.5cm)
 18" (45.7cm) 18.5" (47cm) 19" (48.3cm) 19.5" (49.5cm) 20" (50.8cm)
 20.5" (52.1cm) 21" (53.3cm) **STD**

REAR SEAT HEIGHT ● Measure from floor to top of seat tube at back post.

Rear Wheel Size	Rear Seat Height
20"	12.5"-21" (31.8-53.3 cm)
22"	13.5"-21" (34.3-53.3 cm)
24"	14.5"-21" (15" on AeroT/TRA) (36.8-53.3 cm)
25"	15.0"-21" (38.1-53.3 cm)
26"	15.5"-21" (38.1-53.3 cm)

- TRSH1 12.5" (31.8cm) 13" (33cm) 13.5" (34.3cm) 14" (35.6cm) 14.5" (36.8cm)
 15" (38.1cm) 15.5" (39.4cm) 16" (40.6cm) 16.5" (41.9cm) 17" (43.2cm)
 17.5" (44.5cm) 18" (45.7cm) 18.5" (47cm) 19" (48.3cm) 19.5" (49.5cm)
 20" (50.8cm) **STD**



FRONT ANGLE ● Measure from frame front to floor.

- TFA1 70° 75° 80° 85° (Not available with 6" Front Wheels.) 90° (Not available with 5" or 6" Front Wheels.) **STD**

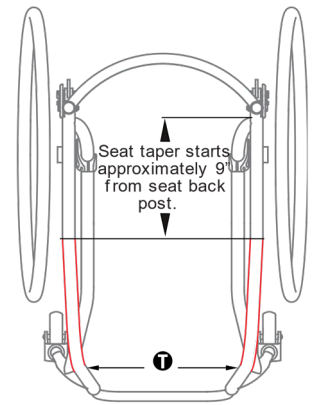
SEAT TO FOOTREST ● /FOOTRESTS Measure from front edge of seat sling to top rear of footrest.

Standard Footrests Measurement must be at least 2" shorter than Front Seat Height ●.

- 13.5" (34.3cm) 14" (35.6cm) 14.5" (36.8cm) 15" (38.1cm) 15.5" (39.4cm) 16" (40.6cm)
 16.5" (41.9cm) 17" (43.2cm) 17.5" (44.5cm) 18" (45.7cm) 18.5" (47cm) 19" (48.3cm)

(Due to current supplier issues, titanium footrest options will use aluminum tubing instead of titanium and will be powder coated Black Lava. During this time, these options will be available in aluminum at no charge to our customers. If a titanium footrest is desired at a later point, the option will be offered at on-chair pricing when available.)

- TFTR3 Angle Adjustable Footrest **STD**
 TFTR1 Titanium Footrest w/Flat ABS Cover **\$200**
 TFTR2 Titanium Open Loop Footrest **\$255**
 TFTR12 Flip-Back Footrest (Not available with ABS Cover with 2" Sides or Front Roller.)... **\$235**
High Mount Footrest
 7"-9" 9"-11" 11"-13" Set at _____" (Use 1/2" increments)
 TFTR4 Angle Adjustable High Mount Footrest **\$145**

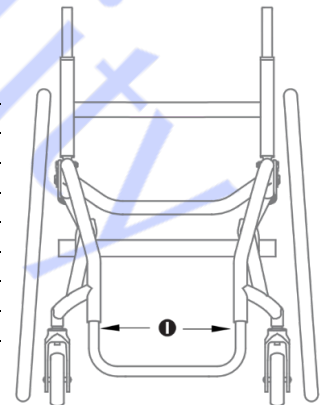


FOOTREST WIDTH ● or ▼ Select either a Standard Front End ● if no Seat Taper ● is selected or a V-Front End ▼ if a Seat Taper ● is selected.

STANDARD FRONT END ● Find your Rear Seat Width ● in the Chart below and select one of the options to the right. Measure from inside of front frame tube to inside of opposite front frame tube.

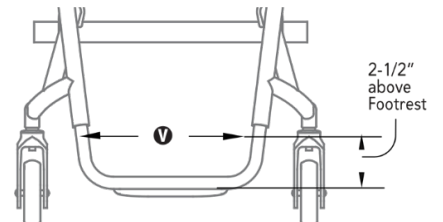
- TFE1 **NO V-Front Taper** **STD**

REAR SEAT WIDTH ● (Outside Measurement)	FOOTREST WIDTH ●		
	No Taper (2" Narrower than Rear Seat Width)	2" Taper (4" Narrower than Rear Seat Width)	4" Taper (6" Narrower than Rear Seat Width)
12"	<input type="checkbox"/> 10"	<input type="checkbox"/> 8"	
13"	<input type="checkbox"/> 11"	<input type="checkbox"/> 9"	
14"	<input type="checkbox"/> 12"	<input type="checkbox"/> 10"	<input type="checkbox"/> 8"
15"	<input type="checkbox"/> 13"	<input type="checkbox"/> 11"	<input type="checkbox"/> 9"
16"	<input type="checkbox"/> 14"	<input type="checkbox"/> 12"	<input type="checkbox"/> 10"
17"	<input type="checkbox"/> 15"	<input type="checkbox"/> 13"	<input type="checkbox"/> 11"
18"	<input type="checkbox"/> 16"	<input type="checkbox"/> 14"	<input type="checkbox"/> 12"
19"	<input type="checkbox"/> 17"	<input type="checkbox"/> 15"	<input type="checkbox"/> 13"
20"	<input type="checkbox"/> 18"	<input type="checkbox"/> 16"	<input type="checkbox"/> 14"



V-FRONT END ▼ Measure from inside of front frame tube to inside of opposite front frame tube 2-1/2" above footrest. (Titanium Footrests have 1" of adjustment up and down. Not available with Ergonomic Seat frames.)

- TFE2 **V-Front Taper** **NCO**
 9" (22.9cm) 10" (25.4cm) 11" (27.9cm)
 12" (30.5cm) 13" (33cm) 14" (35.6cm)
 15" (38.1cm)



TiLite T-Series Canadian Order Form - AADL #W395

tiFit: TAILORED INDIVIDUALIZED FRAME

SEAT BACK TYPE/PUSH HANDLES/SEAT BACK HEIGHT Ⓢ Measure from top of back post to top of seat tube at rear of frame.

- TSB1 Folding Aluminum Adjustable Height w/Precision Lock Back **STD**
- TSB2 Folding Titanium Adjustable Height w/Precision Lock Back and Rounded Rigidizer Bar (Titanium back will match Frame Finish. Not available with Bolt-On Push Handles.) **\$295**
- TSB15 Non-Folding, Fixed Height Titanium with New Rounded Rigidizer Bar (Only available with TR. Titanium back will match Frame Finish. Not available with Push Handles.) **\$325**

TISHAFT™ BACK RELEASE BARS (Not available with Non-Folding, Fixed Height Titanium Back.)

- TSB3 Aluminum **STD**
- TSB5 Carbon Fiber **\$85**

PUSH HANDLES

- TSB6 Integrated Push Handles **NCO**
- TSB7 Integrated Fold-Down Push Handles (Requires Tension Adjustable by Straps Back Upholstery.) **\$115**
- TSB8 Bolt-On Push Handles (Includes 4" Deep Backrest Rigidizer Bar. Not available with Ti Back.) **\$200**
- TSB9 Bolt-On Height-Adjustable Push Handles (Includes 4" Deep Backrest Rigidizer Bar. Not available with Ti Back.) **\$410**

FOLDING SEAT BACK HEIGHT

 Ⓢ (TSB1 and TSB2)

Push Handles (Selected Above)	Short	Medium	Tall	Set at: (Use 1/2" increments)
None/ Bolt-On	<input type="checkbox"/> 9.5"-12.5"	<input type="checkbox"/> 13"-17.5"	<input type="checkbox"/> 17"-21.5"	Set at: _____
Integrated	<input type="checkbox"/> 11.5"-13.5"	<input type="checkbox"/> 14.5"-17.5"	<input type="checkbox"/> 18.5"-21.5"	Set at: _____
Integrated Fold-Down	<input type="checkbox"/> 14"-16.5"	<input type="checkbox"/> 15"-19.5"	<input type="checkbox"/> 19.5"-22"	Set at: _____

NON-FOLDING, FIXED-HEIGHT Ⓢ **TITANIUM SEAT BACK** with New Rounded Rigidizer Bar (TSB15) (Titanium back will match Frame Finish. Required for fixed Side Guards. Not available with Swing Away Tubular or Swing Away - Flip Back Tubular Armrests and Integrated Push Handles, Integrated Fold-Down Push Handles or Bolt-On Height Adjustable Push Handles.)

- 5" (12.7cm) 5.5" (14cm) 6" (15.2cm) 6.5" (16.5cm) 7" (17.8cm) 7.5" (19.1cm) 8" (20.3cm)
- 8.5" (21.6cm) 9" (22.9cm) 9.5" (24.1cm) 10" (25.4cm) 10.5" (26.7cm) 11" (27.9cm) 11.5" (29.2cm)
- 12" (30.5cm) 12.5" (31.8cm) 13" (33cm) 13.5" (34.3cm) 14" (35.6cm) 14.5" (36.8cm) 15" (38.1cm)
- 15.5" (39.4cm) 16" (40.6cm) 16.5" (41.9cm) 17" (43.2cm) 17.5" (44.5cm) 18" (45.7cm) 18.5" (47cm)
- 19" (48.3cm) 19.5" (49.5cm) 20" (50.8cm)

AVAILABLE ON ALL BACKS

- TSB11 Backrest that Locks when Folded (Not available with Ergonomic Seat.) **STD**
- TSB12 4" Deep Backrest Rigidizer Bar (Currently available with Aluminum backrest option only. Not available with a Non-Folding, Fixed Height Titanium Seat Back Type. 4" Deep Rigidizer Bar is NOT a rounded style rigidizer bar.) **NCO**

SEAT BACK ANGLE Ⓢ Measure angle from front of back post to floor.

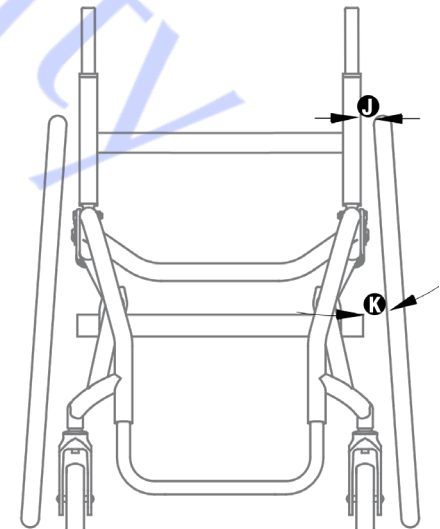
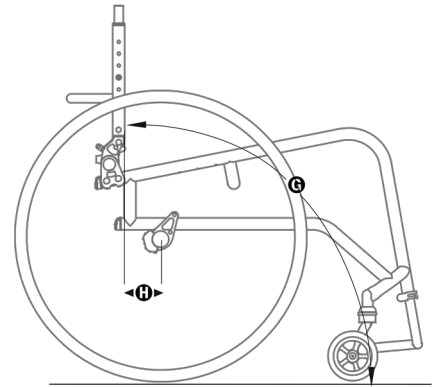
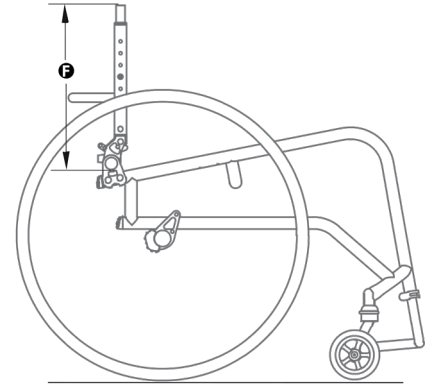
- TSBA1 **Folding Back**
 80° 83° 86° 89° 92° 95° 98° 101° **STD**
- TSBA1 **Non-Folding Back**
 80° 81° 82° 83° 84° 85° 86° 87° 88° 89° 90°
 91° 92° 93° 94° 95° 96° 97° 98° 99° 100° 101° **NCO**

CENTER OF GRAVITY Ⓢ Measure from front of back post at the seat tube to the center of the rear axle. If no center of gravity is selected, chair will ship with the center of gravity in the rearward-most position.

- TCOG1 1" (2.5cm) 1.25" (3.2cm) 1.5" (3.8cm) 1.75" (4.4cm) 2" (5.1cm)
 2.25" (5.7cm) 2.5" (6.4cm) 2.75" (7cm) 3" (7.6cm) 3.25" (8.3cm)
 3.5" (8.9cm) 3.75" (9.5cm) 4" (10.2cm) 4.25" (10.8cm) 4.5" (11.4cm)
 4.75" (12.1cm) 5" (12.7cm) **STD**

REAR WHEEL SPACING Ⓢ /PLUGS Measure from outside of seat back post to inside of rear tire. 0.5" Rear Wheel Spacing on TR not available with 0° or 2° Camber. TRA 0.75" Rear Wheel Spacing not available with 0° or 2° Camber
Ⓢ Ergonomic Seat selection may limit available center of gravity.

- TRWS1 .75" 1" 1.25" **STD**
- TCBR12 Adjustable Rear Wheel Spacing Camber Plugs (Not available with Power Adaptable Frame.) **STD**
- TCBR9 Additional Spacers to Increase Rear Wheel Spacing **NCO**
- TCBR11 Zero Play Aluminum Camber Plugs (Not available with Power Adaptable Frame or more than 6° of Camber Ⓢ.) **NCO**



TiLite T-Series Canadian Order Form - AADL #W395


Effective October 1, 2021 (New Items in Red)

DUAL-TUBE RIGID FRAME

Page 4 of 7







tiFit: TAILORED INDIVIDUALIZED FRAME

CAMBER /CAMBER TUBES

TCBR1	<input type="checkbox"/> 0° <input type="checkbox"/> 2° <input type="checkbox"/> 4° <input type="checkbox"/> 6° (8° of Camber  may be available through our Creative Mobility Division.)	STD
TCBR15	<input type="checkbox"/> Aluminum Camber Tube	STD
TCBR3	<input type="checkbox"/> Titanium Camber Tube (Not available with Power Adaptable Frame.)	\$225

CUSTOM CONFIGURATION OPTIONS



FRONT WHEELS

TFW24	<input type="checkbox"/> 3"x1.5" LiteSpeed Billet Aluminum Wheel w/Soft Roll Tire <input type="checkbox"/> Silver Hub OR <input type="checkbox"/> Black Hub	\$180
TFW14	<input type="checkbox"/> 4"x.75" Plastic Wheel w/Poly Tire (Not available with Slipstream Fork, Glide™ Single-Sided Fork or Power Adaptable Frame.)	NCO
TFW3	<input type="checkbox"/> 4"x.75" Light-Up Micro-Caster (Not available with Slipstream Fork, Glide™ Single-Sided Fork or Power Adaptable Frame.)	\$80
TFW25	<input type="checkbox"/> 4"x.75" LiteSpeed Billet Aluminum Wheel w/Poly Tire <input type="checkbox"/> Silver Hub OR <input type="checkbox"/> Black Hub	\$150
TFW26	<input type="checkbox"/> 4"x1.5" LiteSpeed Plastic Wheel w/Soft Roll Tire (Not available with Power Assist, Power Add-on System or Heavy Duty Frame.)	\$95
TFW27	<input type="checkbox"/> 4"x1.5" LiteSpeed Billet Aluminum Wheel w/Soft Roll Tire <input type="checkbox"/> Silver Hub OR <input type="checkbox"/> Black Hub	\$190
TFW6	<input type="checkbox"/> 5"x1" Plastic Wheel w/Poly Tire (Not available with 90° Front Angle  , Slipstream Fork, Glide™ Single-Sided Fork or Power Adaptable Frame.)	NCO
TFW28	<input type="checkbox"/> 5"x1.5" LiteSpeed Plastic Wheel w/Soft Roll Tire (Not available with 90° Front Angle  or Power Adaptable Frame.)	\$95
TFW30	<input type="checkbox"/> 5"x1.5" LiteSpeed Billet Aluminum Wheel w/Soft Roll Tire <input type="checkbox"/> Silver Hub OR <input type="checkbox"/> Black Hub (Not available with 90° Front Angle )	\$250
TFW9	<input type="checkbox"/> 6"x1" Plastic Wheel w/Poly Tire (Not available with 85° or 90° Front Angle  , Slipstream Fork, Glide™ Single-Sided Fork or Power Adaptable Frame.)	NCO
TFW32	<input type="checkbox"/> 6"x1.5" LiteSpeed Plastic Wheel w/Soft Roll Tire (Not available with 85° or 90° Front Angle  , Slipstream Fork, Glide™ Single-Sided Fork or Power Adaptable Frame.)	\$100
TFW33	<input type="checkbox"/> 6"x1.5" LiteSpeed Billet Aluminum Wheel w/Soft Roll Tire <input type="checkbox"/> Silver Hub OR <input type="checkbox"/> Black Hub (Not available with 85° or 90° Front Angle  , Slipstream Fork, Glide™ Single-Sided Fork.)	\$250

PRECISION LOCK FRONT FORKS

TFK1	<input type="checkbox"/> TiLite Standard Fork	STD
TFK2	<input type="checkbox"/> TiLite Slipstream Single-Sided Fork (Not available with Power Adaptable Frame.)	\$185
TGL1	<input type="checkbox"/> Out-Front Glide™ Suspension Fork (Black anodize only.) Rider's Weight: <input type="checkbox"/> 125 lbs. <input type="checkbox"/> 125-180 lbs. <input type="checkbox"/> 180-265 lbs.	\$545
TGL2	<input type="checkbox"/> Out-Front Glide™ Single-Sided Suspension Fork (Black anodize only. Not available with 6" Front Wheels.) Rider's Weight: <input type="checkbox"/> 125 lbs. <input type="checkbox"/> 125-180 lbs. <input type="checkbox"/> 180-265 lbs.	\$680
TTFS1	<input type="checkbox"/> Titanium Fork Stem	\$60

STANDARD REAR WHEELS (See Rear Seat Height Ranges Chart for Rear Seat Height limitations.)

TRW14	TiLite SHADOW™	STD
	<input type="checkbox"/> 20"(451)	
	<input type="checkbox"/> 22"(501)	
	<input type="checkbox"/> 24"(540)	
	<input type="checkbox"/> 25"(559) (Requires 15" minimum Seat Depth )	
	<input type="checkbox"/> 26"(590) (Requires 15" minimum Seat Depth )	

PERFORMANCE REAR WHEELS (See Rear Seat Height Ranges Chart for Rear Seat Height limitations.)

TRW7	Spinergy SPOX <input type="checkbox"/> Black <input type="checkbox"/> Red <input type="checkbox"/> Yellow <input type="checkbox"/> Blue <input type="checkbox"/> White	\$900
	<input type="checkbox"/> 22"(501) - Std. Hub	
	<input type="checkbox"/> 24"(540) - Std. Hub	
	<input type="checkbox"/> 25"(559) - Std. Hub (Requires 15" minimum Seat Depth )	
	<input type="checkbox"/> 26"(590) - Sport Hub (Requires 15" minimum Seat Depth  , Not available with Quad Release Axles.)	
TRW8	Spinergy LX <input type="checkbox"/> Black <input type="checkbox"/> Red <input type="checkbox"/> Yellow <input type="checkbox"/> Blue <input type="checkbox"/> White <input type="checkbox"/> Go Green <input type="checkbox"/> Bright Orange <input type="checkbox"/> Flamingo Pink	\$1,055
	<input type="checkbox"/> 22"(501) - Std. Hub	
	<input type="checkbox"/> 24"(540) - Std. Hub	
	<input type="checkbox"/> 25"(559) - Std. Hub (Requires 15" minimum Seat Depth )	
	<input type="checkbox"/> 26"(590) - Sport Hub (Requires 15" minimum Seat Depth  , Not available with Quad Release Axles.)	
TRW16	Spinergy Carbon Blade (Not available with Heavy Duty Frame, Natural-Fit or Natural-Fit LT with Standard Grip or Super Grip.)	\$1,540
	<input type="checkbox"/> 24"(540)	
	<input type="checkbox"/> 25"(559) (Requires 15" minimum Seat Depth )	
TRW17	X-Core Mag (Not available with Heavy Duty Frame, Short Tabs, Quad Release Axles, Spoke Guards or Omit Handrims Option. Requires Aluminum Sliver Anodized Handrims.)	\$110
	<input type="checkbox"/> 20"(451)	
	<input type="checkbox"/> 22"(501)	
	<input type="checkbox"/> 24"(540)	

AXLES

TAXL1	<input type="checkbox"/> Stainless Quick Release	STD
TAXL2	<input type="checkbox"/> Titanium Quick Release	\$290
TAXL3	<input type="checkbox"/> Quad Release (Not available with Mag or 26"(590) Spinergy Spox or LX Rear Wheels.)	\$170

CUSTOM CONFIGURATION OPTIONS

PNEUMATIC REAR TIRES

TRTR1	<input type="checkbox"/> Treaded (Not available with 25"(559) or 20" (451) Rear Wheels.)	STD
TRTR2	<input type="checkbox"/> Airless Inserts (Not available with Spinergy Carbon Blade Rear Wheels.)	\$90
TRTR3	<input type="checkbox"/> 25"(559) Primo Treaded (Standard with 25"(559) Rear Wheels.)	STD
TRTR4	<input type="checkbox"/> Primo Slick	NCO
TRTR30	<input type="checkbox"/> 24"(540), 25"(559) and 26"(590) Primo Sentinel	\$160
TRTR8	<input type="checkbox"/> 24"(540), 25"(559) and 26"(590) Schwalbe® Marathon Plus Evolution	\$155
TRTR9	<input type="checkbox"/> 24"(540) and 25"(559) Schwalbe® Slick	\$150
TRTR24	<input type="checkbox"/> 24"(540) Kenda Kobra Knobby	\$95

SOLID REAR TIRES (Not available with Spinergy Carbon Blade Rear Wheels.)

TRTR22	<input type="checkbox"/> 20"(451), 22"(501), 24"(540) and 25"(559) Primo Express	\$110
TRTR23	<input type="checkbox"/> 24"(540) and 25"(559) Primo Active	\$135

HANDRIMS

Handrims by OUT-FRONT®

TRIM1	<input type="checkbox"/> Aluminum – Silver Anodized	STD
TRIM21	<input type="checkbox"/> Aluminum – Black Anodized (Not available with 20"(451) Rear Wheels.)	\$60
TRIM12	<input type="checkbox"/> Titanium – Satin Finish (Not available with 20"(451) or 22"(501) Rear Wheels, or 24"(540) Knobby tires.)	\$490
TRIM10	<input type="checkbox"/> The Surge (All-In-One Oval with Gription™ Strip, Larger Profile) (Not available with 20"(451) Rear Wheels.)	\$435
TRIM11	<input type="checkbox"/> The Surge LT (All-In-One Oval with Gription™ Strip, Smaller Profile) (Not available with 20"(451) Rear Wheels.)	\$470
TRIM20	<input type="checkbox"/> Q-Grip (Exclusive High-Friction, Anti-Slip Coating) (Not available with 20"(451) Rear Wheels.)	\$375

The Natural-Fit® (Original, Larger Profile) (Not available with 20"(451) Rear Wheels.)

TRIM14	<input type="checkbox"/> Standard Grip (Not available with Short Tabs or Spinergy Carbon Blade Rear Wheels.)	\$415
TRIM15	<input type="checkbox"/> Super Grip (Not available with Short Tabs or Spinergy Carbon Blade Rear Wheels.)	\$470
TRIM16	<input type="checkbox"/> Without Thumb Grip	\$380

The Natural-Fit® LT (Reduced Weight, Smaller Profile) (Not available with 20"(451) Rear Wheels.)

TRIM17	<input type="checkbox"/> Standard Grip (Not available with Short Tabs or Spinergy Carbon Blade Rear Wheels.)	\$500
TRIM18	<input type="checkbox"/> Super Grip (Not available with Short Tabs or Spinergy Carbon Blade Rear Wheels.)	\$535
TRIM19	<input type="checkbox"/> Without Thumb Grip	\$460

Additional Handrim Options

TRIM5	<input type="checkbox"/> Plastic Coated – Black	\$160
TRIM22	<input type="checkbox"/> Omit Handrims	NCO

Tab Length

TRIM7	<input type="checkbox"/> Long Tabs	STD
TRIM8	<input type="checkbox"/> Short Tabs (Not available with Mag Rear Wheels or The Natural-Fit® Handrims with Thumb Grip.)	\$35

WHEEL LOCKS

Wheel Locks by OUT-FRONT®

TWLK7	<input type="checkbox"/> Compact Composite Push to Lock (Available with .75" to 1.5" Rear Wheel Spacing ① only.)	NCO
TWLK8	<input type="checkbox"/> Compact Composite Pull to Lock (Available with .75" to 1.5" Rear Wheel Spacing ① only.)	NCO
TWLK10	<input type="checkbox"/> Extension Handles for Compact Composite Push/Pull to Lock	\$85
TWLK9	<input type="checkbox"/> Composite Scissor Lock	\$175

Additional Wheel Locks

TWLK3	Uni-Lock Set At: <input type="checkbox"/> Push OR <input type="checkbox"/> Pull	\$165
TWLK4	<input type="checkbox"/> Extension Handles for Uni-Lock	\$85
TWLK15	<input type="checkbox"/> Grade Aids Push to Lock (Not available with solid rear tires)	\$230

BACK UPHOLSTERY (Want more seating options? View the TiLite Seating Order Form on our website.)

TBUP2	<input type="checkbox"/> Velcro Adjustable (Not available with Fold-Down Push Handles.)	STD
-------	---	-----

Tension Adjustable by Straps (Required with Fold-Down Push Handles.)

TBUP3	<input type="checkbox"/> Padded Nylon	\$415
TBUP5	<input type="checkbox"/> AIR Breathable Upholstery (Not available with Ultrasuede Backrest Stripe.)	\$400
TUPC3	Ultrasuede Backrest Stripe <input type="checkbox"/> Black	\$105
TBUP0	<input type="checkbox"/> Omit Back Upholstery	NCO

SEAT UPHOLSTERY

TSUP1	<input type="checkbox"/> Tension Adjustable Bolt On (Not available with Ergonomic Seat or Tapered Seat ①. Black only.)	STD
TSUP2	<input type="checkbox"/> Tension Adjustable by Straps (Standard with Ergonomic Seat and FSW (Seat Taper) ① of 1", 2" or 3". Black upholstery only.)	\$185
TSUP8	<input type="checkbox"/> Aluminum Solid Seat (Not available with 10" or 11" Rear Seat Width ② or Ergonomic Seat ③.)	\$285
TSUP0	<input type="checkbox"/> Omit Seat Upholstery	NCO

SEAT CUSHION (Want more seating options? View the TiLite Seating Order Form on our website.)

TCSH2	<input type="checkbox"/> Comfort Curve Cushion	\$155
-------	--	-------

SIDE GUARDS


TSDG1	<input type="checkbox"/> Cloth (Not available with Ride Designs Corbac Back Support.)	\$120
-------	---	-------

TiLite T-Series Canadian Order Form - AADL #W395


CUSTOM CONFIGURATION OPTIONS

SIDE GUARDS (CONTINUED)

Aluminum

TSDG2	<input type="checkbox"/> Rigid Removable	<input type="checkbox"/> Small	OR	<input type="checkbox"/> Std	\$290
TSDG3	<input type="checkbox"/> Quad Removable w/Hole	<input type="checkbox"/> Small	OR	<input type="checkbox"/> Std	\$315
TSDG4	<input type="checkbox"/> Fold Down Rigid	<input type="checkbox"/> Small	OR	<input type="checkbox"/> Std	(Not available with Ergonomic Seat.)	\$375
TSDG6	<input type="checkbox"/> Fendered Adjustable (Available with 24" and 25" Rear Wheels. Requires Rear Seat Height  of 14.5" to 18.5".)					\$400

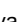
Carbon Fiber

TSDG7	<input type="checkbox"/> Rigid Removable	<input type="checkbox"/> Small	OR	<input type="checkbox"/> Std	\$340
TSDG8	<input type="checkbox"/> Quad Removable w/Hole	<input type="checkbox"/> Small	OR	<input type="checkbox"/> Std	\$375
TSDG9	<input type="checkbox"/> Fold Down Rigid	<input type="checkbox"/> Small	OR	<input type="checkbox"/> Std	(Not available with Ergonomic Seat or Carbon Edition.)	\$510
TSDG11	<input type="checkbox"/> Fendered Adjustable (Available with 24" and 25" Rear Wheels. Requires Rear Seat Height  of 14.5" to 18.5".)					\$565
TSDG12	<input type="checkbox"/> Fendered Removable					\$510

Available on Aluminum and Carbon Fiber Non-Fendered Side Guards

TSDG13	<input type="checkbox"/> Side Guards Custom Cut to Profile of Rear Wheels (Not available with Cloth.)	\$315
--------	---	-------	-------



ARMRESTS (Desk Arms come with built-in Side Guards.)

TARM1	Swing Away Tubular <input type="checkbox"/> 6.5" to 9.5" OR <input type="checkbox"/> 9.5" to 12.5" (Not Available with Non-Folding, Fixed Height Titanium Seat Back or Height Adjustable Push Handles.)	\$260
TARM4	<input type="checkbox"/> Swing Away - Flip Back Tubular 8.5" to 11.5" (Not Available with Non-Folding, Fixed Height Titanium Seat Back.)	\$315
TARM2	Removable Height Adjustable Desk Arm with Rigid Side Guard (Requires 14" minimum Seat Depth  . Not available with Ergonomic Seat.)	\$360
	<input type="checkbox"/> 9" to 12" OR <input type="checkbox"/> 12" to 15"		
	<input type="checkbox"/> Standard Length Pad (10") OR <input type="checkbox"/> Full Length Pad (14")		
TARM3	Removable Height Adjustable Desk Arm with Rigid Side Guard and Transfer Loop (Requires 15" minimum Seat Depth  . Not Available with Ergonomic Seat.)	\$375
	<input type="checkbox"/> 9" to 12" OR <input type="checkbox"/> 12" to 15"		
	<input type="checkbox"/> Standard Length Pad (10") OR <input type="checkbox"/> Full Length Pad (14")		

Available Armrest Option

TARM5	<input type="checkbox"/> Covered in Black Ultrasuede (Not available with Desk Arms)	\$115
-------	---	-------	-------

SEAT BELTS

TBLT1	<input type="checkbox"/> Velcro Adjustable, Black Nylon Webbing	\$55
TBLT2	<input type="checkbox"/> Bodypoint® 2" Push-Button Buckle (Auto-Style.)	\$95
TBLT4	<input type="checkbox"/> Bodypoint® 1" Wide Push-Button Buckle Padded (Auto-Style.) (Not available with 19" or 20" Rear Seat Widths  .)	\$170
TBLT5	<input type="checkbox"/> Bodypoint® 1.5" Wide Push-Button Buckle Padded (Auto-Style.) (Not available with 19" or 20" Rear Seat Widths  .)	\$170
TBLT10	<input type="checkbox"/> Bodypoint® Optional Band Clamp Mounting Hardware	\$20
TBLT15	<input type="checkbox"/> Bodypoint® EvoFlex® Pelvic Stabilizer Swivel	\$185
TBLT16	<input type="checkbox"/> Bodypoint® EvoFlex® Pelvic Stabilizer Push Button	\$185
TBLT17	<input type="checkbox"/> Bodypoint® EvoFlex® Pelvic Stabilizer Rehab Latch	\$185

CALF STRAP

TCLF2	Velcro Adjustable	\$45
	<input type="checkbox"/> Xtra Small (Recommended for 6" - 9" Footrest Widths.)		
	<input type="checkbox"/> Small (Recommended for 9" - 12" Footrest Widths.)		
	<input type="checkbox"/> Medium (Recommended for 11" - 15" Footrest Widths.)		
	<input type="checkbox"/> Large (Recommended for 14" - 17" Footrest Widths.)		
	<input type="checkbox"/> Xtra Large (Recommended for 16" - 19" Footrest Widths.)		
TCLF3	Bodypoint® Padded Velcro Adjustable	\$80
	<input type="checkbox"/> Medium (Recommended for 11" - 15" Footrest Widths.)		
	<input type="checkbox"/> Large (Recommended for 16" - 19" Footrest Widths.)		
TCLF1	<input type="checkbox"/> Buckle Adjustable, Black Nylon Webbing	\$30

RESIDUAL LIMB SUPPORT

TRSL1	<input type="checkbox"/> Residual Limb Support	\$515
TRSL2	<input type="checkbox"/> Residual Limb Support Pair (Both Left and Right Pad information required)	\$1,030
	Left Pad Width <input type="checkbox"/> 8" <input type="checkbox"/> 9" <input type="checkbox"/> 10"	Right Pad Width <input type="checkbox"/> 8" <input type="checkbox"/> 9" <input type="checkbox"/> 10"	
	Left Pad Length <input type="checkbox"/> 10" <input type="checkbox"/> 14"	Right Pad Length <input type="checkbox"/> 10" <input type="checkbox"/> 14"	

BACKPACK

TBCK3	<input type="checkbox"/> Black Permobil Backpack	\$95
-------	--	-------	------

SEAT POUCH

TPCH3	<input type="checkbox"/> Black Permobil Seat Pouch	\$60
TPCH4	<input type="checkbox"/> Bodypoint® Mobility Bag	\$130

CUSTOM CONFIGURATION OPTIONS

SPOKE GUARDS

TGRD1 Clear Lexan with TiMotion Logo (Not available with Mag Rear Wheels.) \$135

ANTI-TIPS

TTIP1 Rear Aluminum - Black \$195

TTIP7 Black Aluminum Single \$100

Mount on Left Side or Right Side NCO

TTIP2 User Friendly Flip-up (Not available with Frog Legs® Rear Suspension.) \$360

ZTIP8 User Friendly Flip-up Single \$170

Mount on Left Side or Right Side NCO

ACCESSORIES

TUEST1 Upper Extremity Support Tray 12" to 14" OR 13" to 15" Seat Widths (Requires Armrests.) \$290

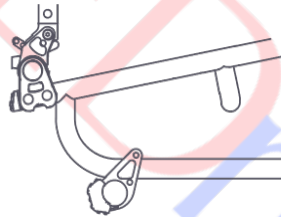
TLUG1 Luggage Carriers \$145

TMPCT2 Neoprene Impact Guards with Ultrasuede Stripe Black \$105

TCH1 Crutch Holder \$145

FRAME NOTES

Aero T will always be a Rounded Rear Frame.



A. Round Rear Frame

GENERAL

Permobil manufactures TiLite manual wheelchairs in a wide variety of configurations to meet the varied needs of wheelchair users. The final selection of a particular model, its options and accessories, and its measurements rests solely with the wheelchair user and advising healthcare professional. These wheelchairs must be fitted by a qualified healthcare professional. HCPCS Codes are for reference purposes only. Actual coding and coverage varies by payer. Proper HCPCS coding is not a guarantee of payment. Please verify the appropriate payer's coverage policy.

Get the latest order forms at permobilus.com. Prices, standard features, options and accessories are subject to change without notice. All rights reserved. Trademarks are identified by symbols™ and ©. TiLite, TiFit, the TiLite logo, Ti, the Ti logo, The Titanium Experts, and TiShaft are registered trademarks of TiSport, LLC and are licensed to Permobil. Permobil® is a registered trademark of Permobil. Adobe®, Acrobat®, Acrobat Professional® and Reader® are registered trademarks of Adobe Systems Inc. Bodypoint® is a registered trademark of Bodypoint Inc. Kenda® is a registered trademark of Kenda Rubber Industrial Co. Ltd. Ride Designs® and Corbac® are registered trademarks of Aspen Seating, LLC. ROHO®, Low Profile® and Quadro Select® are registered trademarks of ROHO Inc. Schwalbe® is a registered trademark of Ralf Bohle GmbH. Supraco®, Stimulite® and Corbee® are registered trademarks of Supraco, Inc. The Natural-Fit® and Out-Front® are registered trademarks of Three Rivers Holdings, LLC. Varilite® is a registered trademark of Cascade Designs, Inc.

NOTES
