



**AADL #W709**

**Quantum Rehab®**

A Division of Pride Mobility Products Corporation®

5096 South Service Rd., Beamsville, Ontario, L0R 1B3

Phone: (888) 570-1113 • Fax: (866) 514-1303

QUANTUM REHAB®

# AADL Quantum® 1450

Synergy Seating  
Order Form

Up To 600 lbs. Weight Capacity



**MEDmobility Reference Only**

\*Please always use [www.pridemobility.com](http://www.pridemobility.com) to access the most current version of this form.

Date: \_\_\_\_\_

PO#: \_\_\_\_\_

Account Number: \_\_\_\_\_

Bill To: \_\_\_\_\_

Address: \_\_\_\_\_

Phone Contact: \_\_\_\_\_

Ship To: \_\_\_\_\_

Address: \_\_\_\_\_

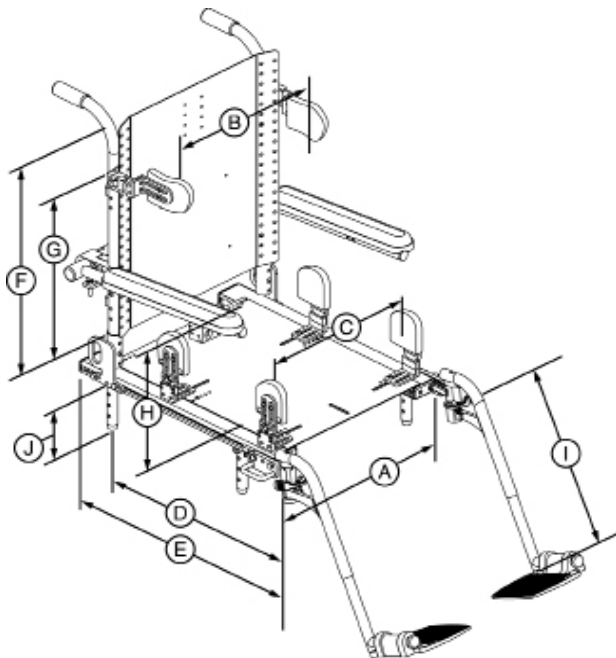
Marked For: \_\_\_\_\_

Discount: \_\_\_\_\_

Terms: \_\_\_\_\_

Freight: \_\_\_\_\_

## SPECIFIED DIMENSIONS\*



Please Supply Client Information:

Client Height: \_\_\_\_\_

Client Weight: \_\_\_\_\_

A. Seat Width: \_\_\_\_\_

B. Lateral Offset: \_\_\_\_\_

C. Hip/Thigh Lateral Offset: \_\_\_\_\_

D. Center of Gravity: **Optimized based on seat dimensions**

E. Seat Depth: \_\_\_\_\_

F. Back Height from Pan: \_\_\_\_\_

G. Lateral Height from Pan: \_\_\_\_\_

H. Armrest Height from Pan: \_\_\_\_\_

I. Rigging Length (whole numbers only): \_\_\_\_\_

J. Seat to Floor Height (circle one): \_\_\_\_\_


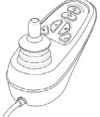



Seat	Seat-To-Floor Heights		
Synergy® Seating Frame	17.5"	18.5"	19.5"

*Seat to floor height are +/- 1/8" with 24"W x 24"D with Flat-Free tires.*

Notes:

\_\_\_\_\_  
\_\_\_\_\_  
\_\_\_\_\_

*All prices are MSRP.*

BASE MODEL		JOYSTICK HANDLES	
Description	Price	Description	Price
<input type="checkbox"/> Quantum 1450 <input type="checkbox"/> HD 300-450 lbs. Weight Capacity <input type="checkbox"/> VHD 450-600 lbs. Weight Capacity <i>Base not recommended for users below 300 lbs.</i>	\$11,920	<input type="checkbox"/> Standard Knob Std <input type="checkbox"/> Mushroom Handle \$120 <input type="checkbox"/> T-Bar \$160 <input type="checkbox"/> Chin Cup \$90 <input type="checkbox"/> Extended I-Handle \$140 <input type="checkbox"/> Soft Ball Handle \$120 <input type="checkbox"/> Medium Ball Handle \$70 <input type="checkbox"/> 3" Goal Post Handle \$180 <input type="checkbox"/> 4" Goal Post Handle \$180	
SHROUD COLOUR		JOYSTICK MOUNTING BRACKETS	
<b>Metallic Colors:</b> <input type="checkbox"/> Onyx Black <input type="checkbox"/> Viper Blue		<input type="checkbox"/> Fixed Inline <i>Not available with Stand Alone Joystick</i> Std <input type="checkbox"/> Left <input type="checkbox"/> Right <input type="checkbox"/> New Style Swing-away \$265 <input type="checkbox"/> Inline left <input type="checkbox"/> Inline right <input type="checkbox"/> Offset left <input type="checkbox"/> Offset right	
DRIVE WHEELS			
<input type="checkbox"/> 14" Flat Free Std			
BASE MOUNTED FOOT PLATFORM		<input type="checkbox"/> Retract4 Swing-away \$345 <input type="checkbox"/> Multi-axis Fixed \$210 <input type="checkbox"/> Left <input type="checkbox"/> Right <i>(Fixed configuration. Does not swing away)</i>	
<input type="checkbox"/> Heavy Duty Foot Platform 17"W x 13"D Std <input type="checkbox"/> Heavy Duty Foot Platform 17"W x 16"D NC <input type="checkbox"/> No Base Mounted Foot Platform NC		BATTERY CHARGER	
<input type="checkbox"/> 8 Amp, Off-board Charger Std		NON-EXPANDABLE CONTROLS	
<input type="checkbox"/> 90 Amp VR2 6-Key Std			
EXPANDABLE CONTROLS		SYNERGY® SEATING SYSTEM	
<input type="checkbox"/> Q-Logic 2 EX Joystick \$620		<input type="checkbox"/> Synergy Seat \$1045	
		<b>Seat Width:</b> <input type="checkbox"/> 20" <input type="checkbox"/> 21" <input type="checkbox"/> 22" <input type="checkbox"/> 23" <input type="checkbox"/> 24" <input type="checkbox"/> 25" <input type="checkbox"/> 26" <input type="checkbox"/> 27" <input type="checkbox"/> 28" <input type="checkbox"/> 29" <input type="checkbox"/> 30" <input type="checkbox"/> 31" <input type="checkbox"/> 32"	
<input type="checkbox"/> Q-Logic 2 EX Joystick w/ Light \$620 <i>Required for LED Light Package</i>		<b>Seat Width Package:</b> <input type="checkbox"/> 20"W-24"W <input type="checkbox"/> 24"W-26"W <input type="checkbox"/> 26"W-28"W <input type="checkbox"/> 28"W-30"W <input type="checkbox"/> 30"W-32"W	
		<b>Seat Depth:</b> <input type="checkbox"/> 20" <input type="checkbox"/> 21" <input type="checkbox"/> 22" <input type="checkbox"/> 23" <input type="checkbox"/> 24" <input type="checkbox"/> 25" <input type="checkbox"/> 26" <input type="checkbox"/> 27" <input type="checkbox"/> 28"	
<b>Q-Logic 2 EX Joystick Colour Shroud Option</b> <input type="checkbox"/> Colour Match Base \$75		<b>Seat Depth Package<sup>1</sup>:</b> <input type="checkbox"/> 20"D-24"D <input type="checkbox"/> 24"D-28"D	
<input type="checkbox"/> Q-Logic EX Stand Alone Joystick \$410		<b>Back Cane Height:</b> <input type="checkbox"/> 14" <input type="checkbox"/> 15" <input type="checkbox"/> 16" <input type="checkbox"/> 17" <input type="checkbox"/> 18" <input type="checkbox"/> 19" <input type="checkbox"/> 20" <input type="checkbox"/> 21" <input type="checkbox"/> 22" <input type="checkbox"/> 23" <input type="checkbox"/> 24" <input type="checkbox"/> 25"	
<input type="checkbox"/> Q-Logic EX Stand Alone Joystick \$410		<b>Back Rest Height:</b> <input type="checkbox"/> 18" <input type="checkbox"/> 19" <input type="checkbox"/> 20" <input type="checkbox"/> 21" <input type="checkbox"/> 22" <input type="checkbox"/> 23" <input type="checkbox"/> 24" <input type="checkbox"/> 25"	
<input type="checkbox"/> Q-Logic EX Stand Alone Joystick \$410		1. Seat depth package supplied may differ from seat depth package requested due to additional options requested	
<input type="checkbox"/> Q-Logic 2 EX Enhanced Display Kit \$1,945 KIT125324 Includes: - Q-Logic 2 EX Enhanced Display - Flexible Gooseneck - Enhanced Display Mounting Bracket All mounting hardware is included in kit. See Specialty Electronics order form for additional mounting options and secondary controls. Bluetooth mouse emulator requires a run plug harness for either static or power seating. Additional fees will apply. <b>Please use and attach the Specialty Electronics order form for additional controls and mounting options.</b>		SYNERGY® BACK OPTIONS	
		<input type="checkbox"/> Sling Back NC <input type="checkbox"/> Omit Back	
LED LIGHT PACKAGE			
<input type="checkbox"/> Through Q-Logic 2 EX w/ Lights <i>Not covered by AADL</i> \$835			

All prices are MSRP.

**SYNERGY® BACK CANE OPTIONS**

Description	Price
<input type="checkbox"/> Standard Back Canes With Push Handles	Std
<input type="checkbox"/> No Push Handles	\$90
<input type="checkbox"/> Offset (Meso)	\$205
<input type="checkbox"/> 2" (1" Per Side) <input type="checkbox"/> 4" (2" Per Side)	
Dual Post Flip-back Armrests interfere with Meso canes.	
<input type="checkbox"/> Inset (Endo)	\$205
<input type="checkbox"/> 2" (1" Per Side) <input type="checkbox"/> 4" (2" Per Side)	

**ARMRESTS**

<input type="checkbox"/> Removable, Single Post, Height Adjustable, Heavy Duty	\$130ea
<input type="checkbox"/> 8"H-12"H <input type="checkbox"/> 10"H-14"H	
<input type="checkbox"/> Bariatric, Removable, Height Adjustable <sup>1</sup>	\$145ea
<input type="checkbox"/> 8"H-12"H <input type="checkbox"/> 10"H-14"H	
<input type="checkbox"/> Height Adjustable Cantilever Armrests	\$145ea
Angle Adjustable: -30° through +30°	
<input type="checkbox"/> 8"H-12"H <input type="checkbox"/> 10"H-14"H	

1. Requires Bariatric Arm pads.

**ARMPADS**

<input type="checkbox"/> Straight, Full Length (2"x14")	Std
<input type="checkbox"/> Left <input type="checkbox"/> Right	
<input type="checkbox"/> Straight, Desk Length (2"x10")	NC
<input type="checkbox"/> Left <input type="checkbox"/> Right	
<input type="checkbox"/> Waterfall, Full Length (2"x1")	NC
<input type="checkbox"/> Left <input type="checkbox"/> Right	
<input type="checkbox"/> Waterfall, Desk Length (2"x10")	NC
<input type="checkbox"/> Left <input type="checkbox"/> Right	
<input type="checkbox"/> Flat Bariatric For use with Bariatric arm rests only	\$40ea

**STEALTH HEADRESTS** (Standard Stealth Pricing Applies)

**Headrest Pads:**

<input type="checkbox"/> Stealth 10" Comfort Plus CP250	\$190
<input type="checkbox"/> Stealth 14" Comfort Plus CP150	\$190
<input type="checkbox"/> Stealth Small Contoured (9.75"W x 3"H) OTSM250	\$80
<input type="checkbox"/> Stealth Large Contoured (11"W x 6"H) OTLG150	\$100
<input type="checkbox"/> Omit Headrest	

**Headrest Mounts:**

<input type="checkbox"/> Multi-Axis Hardware HMO475	\$200
<input type="checkbox"/> Linking Hardware TWB485	\$255
<input type="checkbox"/> No Hardware	

**FRONT RIGGINGS**

<input type="checkbox"/> Heavy Duty Drop-In Legrests <sup>1</sup>	\$445
<input type="checkbox"/> Heavy Duty Elevating Legrests	\$550
<input type="checkbox"/> Angle Adjustable Footplates <sup>2</sup>	Std
Extension Length:	
<input type="checkbox"/> 12"-14.5" <input type="checkbox"/> 14.5" -18"	
Footplate Size:	
<input type="checkbox"/> 4" x 6" <input type="checkbox"/> 5" x 6" <input type="checkbox"/> 5" x 8"	
<input type="checkbox"/> 6" x 8" <sup>3</sup> <input type="checkbox"/> 6" x 11" <sup>3</sup> <input type="checkbox"/> 8" x 11" <sup>4</sup>	

1. Extension length is measured from the seatpan to the footplate.  
2. Angle Adjustable Footplates come standard with heel loops.

**CENTER MOUNT FOOT PLATFORM**

Description	Price
<input type="checkbox"/> Center Mount Articulating Foot Platform <sup>1</sup> Not covered by AADL	\$3,145
<input type="checkbox"/> Adjustable Center Mount Foot Platform	\$790
Extensions:	
<input type="checkbox"/> 10-16"L	
<input type="checkbox"/> 13-19"L	
Footplates:	
<input type="checkbox"/> 5"W x 6"D	
<input type="checkbox"/> 5"W x 8"D	
<input type="checkbox"/> 5"W x 11"D	
Set Legrest Length:	
LL85 <input type="checkbox"/> 8.5"H   LL9 <input type="checkbox"/> 9"H   LL95 <input type="checkbox"/> 9.5"H	
LL10 <input type="checkbox"/> 10"H   LL135 <input type="checkbox"/> 13.5"H   LL165 <input type="checkbox"/> 16.5"H	
LL105 <input type="checkbox"/> 10.5"H   LL14 <input type="checkbox"/> 14"H   LL17 <input type="checkbox"/> 17"H	
LL11 <input type="checkbox"/> 11"H   LL145 <input type="checkbox"/> 14.5"H   LL175 <input type="checkbox"/> 17.5"H	
LL115 <input type="checkbox"/> 11.5"H   LL15 <input type="checkbox"/> 15"H   LL18 <input type="checkbox"/> 18"H	
LL12 <input type="checkbox"/> 12"H   LL155 <input type="checkbox"/> 15.5"H   LL185 <input type="checkbox"/> 18.5"H	
LL125 <input type="checkbox"/> 12.5"H   LL16 <input type="checkbox"/> 16"H   LL19 <input type="checkbox"/> 19"H	
LL13 <input type="checkbox"/> 13"H	
Calf Supports:	
<input type="checkbox"/> Calf Pads (pair) <sup>2</sup>	
<input type="checkbox"/> Small (6"H x 6"W)	\$210
<input type="checkbox"/> Large (8"H x 8"W, tapered to 6"W)	\$210
<input type="checkbox"/> Calf Panel (ea.)	
<input type="checkbox"/> Small (8"H x 18"W)	\$210
<input type="checkbox"/> Large (8"H x 24"W) <sup>3</sup>	\$265
Calf Support Covers (1/2" Soft Visco Foam):	
<input type="checkbox"/> Reversed Dartex	\$150
Optional Extensions & Accessories:	
<input type="checkbox"/> 4" Width Extension Kit <sup>4</sup>	\$55
<input type="checkbox"/> 2" Bell Shaped, Length Extension Kit <sup>5</sup>	\$55
<input type="checkbox"/> Footplate Outside Edge Side Guards	\$55
<input type="checkbox"/> 4"D <sup>6</sup> <input type="checkbox"/> 6"D <sup>4</sup>	
<input type="checkbox"/> Footplate Connector	\$55
<input type="checkbox"/> Wheel Bumpers	\$30

1. Maximum weight capacity is 450 lbs.  
2. Standard with Articulating Foot Platform  
3. Only available on 20"W or greater.  
4. Not available with 5"W x 6"D Footplates  
5. Not available with 4" Width Extension Kit  
6. Not available with 5"W x 11"D Footplates

Center Mount Articulating Foot Platform Compatability Matrix	TRU-Balance®3 Recline			TRU-Balance®3 Tilt			TRU-Balance®3 Lift		
	Low	Medium	High	Low	Medium	High	Low	Medium	High
	10"-16" Extension	!	!	!	!	!	!	!	!
13"-19" Extension	!	!	!	!	!	!	!	!	!

- This rigging configuration causes no interference issues at this seat-to-floor height.
- This rigging configuration may interfere with the ground (less than 1.75" clearance when fully extended) and will reduce obstacle climbing ability.
- This rigging configuration does not work with this seat-to-floor height.

All prices are MSRP.

**BATTERY OPTIONS**

Description	Price
<input type="checkbox"/> Group 24, 70 Amp, Gel <i>Installation:</i>	\$460 ea.
<input type="checkbox"/> Batteries Installed	
<input type="checkbox"/> Do Not Install	

**POWER POSITIONING ELECTRONICS****Single Actuator Electronics** *For use with 1 actuator*

<input type="checkbox"/> Through Toggle Box ( <i>Tilt Only</i> ) Includes toggle and harness	NC
<input type="checkbox"/> Left Mount	
<input type="checkbox"/> Right Mount	
<input type="checkbox"/> Through Single Switch <sup>1</sup>	NC
<i>(Includes high current limit box) (Tilt only w/ Q-Logic 2 EX)</i>	
<input type="checkbox"/> Through VR2 <sup>2</sup> ( <i>Includes AM1</i> )	NC
<input type="checkbox"/> Through Q-Logic 2 EX Hand Control <sup>3</sup> ( <i>Includes AAM</i> )	\$345

1. Single switch not included. See specialty control order form for a list of available options.  
 2. VR2 must be selected as drive device.  
 3. Q-Logic EX 2 hand control must be selected.

**ACCESSORIES** *Not covered by AADL*

<input type="checkbox"/> Rear Basket <sup>1</sup>	\$160
<input type="checkbox"/> Cane/Crutch Holder <sup>1</sup>	\$160
<input type="checkbox"/> Weather Cover, Medium, Black	\$240
<input type="checkbox"/> Cup Holder	\$20
<i>Side:</i>	
<input type="checkbox"/> Left	
<input type="checkbox"/> Right	
<input type="checkbox"/> Quantum Backpack <sup>2</sup>	\$75
<input type="checkbox"/> Oxygen Holder <i>Contoured Seating</i>	\$110
<input type="checkbox"/> Oxygen Holder <i>Synergy Seating</i>	\$110
<input type="checkbox"/> Tablet Holder <sup>3</sup>	\$565
<input type="checkbox"/> Deluxe Cell Phone/Media Holder <sup>3</sup>	\$185
<input type="checkbox"/> Transfer Bar, Pair (Quick release) <sup>4</sup>	\$305

1. Includes mounting hardware.  
 2. Backpack may interfere w/ other rear accessories. Not available w/ contoured seating.  
 3. Available with Synergy armrests only.  
 4. Only available on Synergy Seat

**LAP BELTS**

<input type="checkbox"/> 60" Lap Belt	NC
<input type="checkbox"/> 70" Lap Belt	Std
<input type="checkbox"/> 80" Lap Belt	NC
<input type="checkbox"/> 90" Lap Belt	NC