



# Zippie GS

November 2016

Date: \_\_\_\_\_ **SUBMITTING FOR:**  Quote  Order

Dealer Acct #: \_\_\_\_\_ PO#: \_\_\_\_\_

Dealer: \_\_\_\_\_ Ship To: \_\_\_\_\_

Dealer Contact: \_\_\_\_\_ Attention: \_\_\_\_\_

Dealer Address: \_\_\_\_\_ City: \_\_\_\_\_ State: \_\_\_\_\_

Dealer Phone: \_\_\_\_\_ Fax: \_\_\_\_\_

Confirm Via:  Fax  Email Ship To Phone: ( ) Fax: ( )

Mark For: \_\_\_\_\_

MEDmobility Reference Only

✓ Option #	Definition	Price	✓ Option #	Definition	Price
------------	------------	-------	------------	------------	-------

## ZIPPIE GS

### 1. FRAME

*All Zippie GS models grow in width and depth.*

<input type="checkbox"/>	087WM70	Folding Growing Zippie GS <i>Transit Included Includes True Fit Growth</i>	\$2,784.00	<input type="checkbox"/>	087WM72	Folding Growing Zippie GS <i>Transit Optional Includes True Fit Growth</i>	\$2,784.00
<input type="checkbox"/>	087WM71	Rigid Growing Zippie GS <i>Transit Included Includes True Fit Growth</i>	\$2,784.00	<input type="checkbox"/>	087WM73	Rigid Growing Zippie GS <i>Transit Optional Includes True Fit Growth</i>	\$2,784.00

#### Frame Options

<input type="checkbox"/>	087FC4	Reverse Configuration (NA w/ Swing-Away hangers non-rem. in reverse config.; lift off hangers recommended.)	NC	<input type="checkbox"/>	087FC3	Standard Configuration	NC
--------------------------	--------	---	----	--------------------------	--------	------------------------	----

### 2. TRANSIT SYSTEM ( For use when Transit optional is chosen above)

*Tie Down Requires: Solid Seat and Solid Back or, Growing Seat Pan and Jay Fit or Conventional Back or, Growing Seat Pan and Solid Back or, Jay Fit and/or Conventional Seat & Back*

<input type="checkbox"/>	087TO19	Transit Optional Std. Seating (Req. Selection of Seat & Back)	NC	<input type="checkbox"/>	087TO13	Transit Optional w/o Seating	NC
<input type="checkbox"/>				<input type="checkbox"/>	087TO15	Transit Omit	NC

### 2. SIZE/SEATING

#### Frame Width

*Height Adjustable Arms NA with 10"-13" Frame Widths*

<input type="checkbox"/>	087BW4	Small Cross Brace	NC
<input type="checkbox"/>	10" <input type="checkbox"/> 11" <input type="checkbox"/> 12"		
<input type="checkbox"/>	087BW5	Medium Cross Brace	NC
<input type="checkbox"/>	12" <input type="checkbox"/> 13" <input type="checkbox"/> 14"		
<input type="checkbox"/>	087BW6	Large Cross Brace	NC
<input type="checkbox"/>	14" <input type="checkbox"/> 15" <input type="checkbox"/> 16"		
<input type="checkbox"/>	087BW7	X-Large Cross Brace	\$79.00
<input type="checkbox"/>	16" <input type="checkbox"/> 17" <input type="checkbox"/> 18"		

#### Frame Depth and Back Post Location

<input type="checkbox"/>	087FL3	Short Frame	NC
<input type="checkbox"/>	10" <input type="checkbox"/> 11" <input type="checkbox"/> 12" <input type="checkbox"/> 13" <input type="checkbox"/> 14"		
<input type="checkbox"/>	087FL9	Regular Frame	NC
<input type="checkbox"/>	12" <input type="checkbox"/> 13" <input type="checkbox"/> 14" <input type="checkbox"/> 15" <input type="checkbox"/> 16"		
<input type="checkbox"/>	087FL18	Long Frame	NC
<input type="checkbox"/>	14" <input type="checkbox"/> 15" <input type="checkbox"/> 16" <input type="checkbox"/> 17" <input type="checkbox"/> 18"		
<input type="checkbox"/>	087FL25	X-Long Frame	\$121.00
<input type="checkbox"/>	16" <input type="checkbox"/> 17" <input type="checkbox"/> 18" <input type="checkbox"/> 19" <input type="checkbox"/> 20" (20" use HCPCS: E2203)		

Mark For:

✓	Option #	Definition	Price	✓	Option #	Definition	Price
---	----------	------------	-------	---	----------	------------	-------

**2. SIZE/SEATING CONT.**

Seats			
<input type="checkbox"/>	087ST55	Solid Seat (Req. Solid Back) Not avail. w/ 10-11, 19-20 inch frame depth or 17-18 inch frame width.	\$278.00
<input type="checkbox"/>	087PN3	Growing Seat Pan Depth (Fig. 1)	\$242.00
<input type="checkbox"/>	087ST27	Omit Seat	STD

**JAY Cushions (Optional)**

To order any JAY cushions on-chair, please see the JAY price list. Cushion name or part number must be filled out with desired width and depth.

JAY Bundled Cushion			Price List
<input type="checkbox"/>	087JC20	Name / Part #	
		Width: _____ Depth: _____	

**REFERENCE ONLY**

Seat Depth Pan Size	Depth Range	
	Minimum	Maximum
Short 10-12"	10"	14"
Medium 13"-14"	11 3/4"	16 1/4"
Long 15"-17"	13 3/4"	18 1/4"
X-Long 18"-20"	15 3/4"	20 1/4"

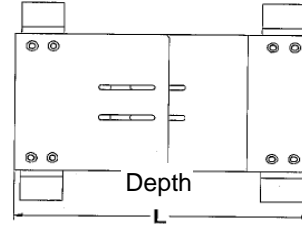


Figure 7.1 - Frame Depth Growth Range Matrix

**3. CASTERS/SEAT HEIGHT**

Caster Wheel			
<input type="checkbox"/>	087CW30	3" Micro Light Up	\$63.00
<input type="checkbox"/>	087CW31	4" Micro Light Up	\$95.00
<input type="checkbox"/>	087CW51	5" Micro Light Up	\$95.00
<input type="checkbox"/>	087CW5	5" Low-Profile Polyurethane	STD
<input type="checkbox"/>	087CW7	5" x 1.5" Semi-Pneumatic	\$95.00
<input type="checkbox"/>	087CW33	6" Pneumatic	\$95.00
<input type="checkbox"/>	087CW34	6" Polyurethane	NC
<input type="checkbox"/>	087CW35	6" x 1.5" Semi-Pneumatic	\$95.00
<input type="checkbox"/>	087CW21	8" Pneumatic	\$126.00
<input type="checkbox"/>	087CW32	8" Polyurethane	NC
<input type="checkbox"/>	087CW39	8" x 1.5" Semi-Pneumatic	\$126.00
<input type="checkbox"/>	087CW36	8" x 2" Pneumatic	\$215.00
<input type="checkbox"/>	087CW37	8" x 2" Pneumatic w/Airless Insert	\$342.00

Caster Options			
<input type="checkbox"/>	087CS5	3/4" Longer Fork Stem Bolt	NC
<input type="checkbox"/>	087CS9	1 1/2" Longer Fork Stem Bolt	NC
<input type="checkbox"/>	087CS3	Caster Pin Locks (Not avail. with 8" x 2" casters or Transit Opt.)	\$132.00
<input type="checkbox"/>	087CW38	Omit Caster, Wheels & Tires	NC

**4. REAR WHEELS/SEAT HEIGHT**

Axle Plate			
<input type="checkbox"/>	087AL17	One Arm Drive (Avail w/ 20",22",24" Mag Rear Wheels & 13"-18" wide)	\$1,203.00
<input type="checkbox"/>	087OA2	<b>Standard Handrim</b>	NC
<input type="checkbox"/>	087HM1	Right	NC
<input type="checkbox"/>	087HM2	Left	NC
<input type="checkbox"/>	087OA1	<b>Small Handrim</b>	NC
<input type="checkbox"/>	087HM1	Right	NC
<input type="checkbox"/>	087HM2	Left	NC

Axle			
<input type="checkbox"/>	087AX26	One Arm Drive Axle (Only avail. w/One Arm Drive Option)	\$105.00
<input type="checkbox"/>	087AX1	Quick Release	NC
<input type="checkbox"/>	087AX11	Quad Quick Release (not available with Lite Spokes)	\$158.00

Mark For:

✓	Option #	Definition	Price	✓	Option #	Definition	Price
---	----------	------------	-------	---	----------	------------	-------

**4. REAR WHEELS/SEAT HEIGHT CONT.**

**Rear Wheel Size**

<input type="checkbox"/>	087RW48	12" Mag (Not available with handrims)	\$41.00
<input type="checkbox"/>	087RW14	16" Mag (Not available with handrims)	NC
<input type="checkbox"/>	087RW3	20" Mag	NC
<input type="checkbox"/>	087RW8	22" Mag	NC
<input type="checkbox"/>	087RW1	24" Mag	NC
<input type="checkbox"/>	087RW12	18" Spoke	\$142.00
<input type="checkbox"/>	087RW74	20" Lite Spoke	NC
<input type="checkbox"/>	087RW75	22" Lite Spoke	NC
<input type="checkbox"/>	087RW54	24" Lite Spoke	\$278.00
<input type="checkbox"/>	087RW25	Omit Rear Wheel & Axle	-\$42.00

**Handrim**

<input type="checkbox"/>	087HR1	Aluminum Anodized	NC
<input type="checkbox"/>	087HR4	Plastic Coated	\$126.00
<input type="checkbox"/>	087HR7	Omit (Not available with wheel/axle credit)	-\$12.00

**Projections (Not Available on Plastic Coated)**

*\*Only available with 24" wheels & not available with spoke guards.*

<input type="checkbox"/>	087HR8	8 Oblique	\$126.00
--------------------------	--------	-----------	----------

**Rear Wheel Tire**

<input type="checkbox"/>	087RT1	Pneumatic	NC
<input type="checkbox"/>	087RT2	Pneumatic Airless Insert	\$215.00
<input type="checkbox"/>	087RT3	Full Polyurethane (Not avail.w/ 12", 16" and 18" rear wheels)	NC
<input type="checkbox"/>	087RT4	Low Polyurethane (Only available with 12" or 24" wheels )	NC
<input type="checkbox"/>	087RT6	High Pressure Clincher (Only available with 24" spoke wheels)	\$90.00

**5. WHEEL LOCK/HUB LOCK**

**Wheel Lock**

*Not available with Hub Locks*

<input type="checkbox"/>	087WL1	High Mount Push	NC
<input type="checkbox"/>	087WL2	High Mount Pull	NC
<input type="checkbox"/>	087WL25	Foot Lock (may limit folding width) (Not avail. In rev. config.)	NC
<input type="checkbox"/>	087WL10	Omit	NC
<input type="checkbox"/>	087WL12	Do Not Mount	NC

**Hub Lock**

*\*Only available with 12" or 16" wheels. N/A with One arm drive.*

<input type="checkbox"/>	087LK01	12" Hub Lock	\$142.00
<input type="checkbox"/>	087LK02	16" Hub Lock	\$142.00

**Extension Handle**

<input type="checkbox"/>	087EH1	6" Pair	\$63.00
--------------------------	--------	---------	---------

Mark For:

✓ Option # Definition Price ✓ Option # Definition Price

**6. HANGER and FOOTRESTS**

**Hanger Mounted Footrest (Footplates Mount to Hanger Tubing)**

<b>Hanger Type</b>			
<input type="checkbox"/>	087H89	70° Swing In/Out Front Mount	NC
<input type="checkbox"/>	087H90	80° Swing In/Out Front Mount	NC
<input type="checkbox"/>	087H6	90° Swing Away Front Mount	NC
<input type="checkbox"/>	087H9	70° Hvy Dty Fnt Mount Lift-Off	\$184.00
<input type="checkbox"/>	087H10	80° Hvy Dty Fnt Mount Lift-Off	NC
<input type="checkbox"/>	087H11	90° Hvy Dty Fnt Mount Lift-Off	NC
<input type="checkbox"/>	087H23	90° Elevating (n/a 10"-11" wide)	\$295.00
<b>Extensions (may interfere with some seat heights &amp; casters)</b>			
<input type="checkbox"/>	087E23	2" (not mounted)	\$47.00
<input type="checkbox"/>	087E24	4" (not mounted)	\$47.00

**Footplate**

<input type="checkbox"/>	087F9	Kids Angle Adjustable (not avail. w/17"-18" widths)	NC
<input type="checkbox"/>	087F8	Adult Angle Adj. (Available with 10"-18" widths)	\$152.00
<input type="checkbox"/>	087F62	Footboard (Available with 10"-16" widths)	\$200.00

**Ext. Tube Mounted Footrest (Footplate Mount to Ext. Tube)**

<b>Hanger Type</b>			
<input type="checkbox"/>	087H85	60° Swing In/Out	NC
<input type="checkbox"/>	087H86	70° Swing In/Out	STD
<input type="checkbox"/>	087H116	80° Swing In/Out (n/a with 6" or 8" Casters)	STD
<input type="checkbox"/>	087H24	Articulating (Not Avail. w/composite footplates or 10"-13")	\$457.00
<input type="checkbox"/>	087H14	Elevating (Not avail. w/ composite or platform footplates or < 16" width)	\$295.00

<b>Extensions</b>			
<input type="checkbox"/>	087E1	Short (11.5" - 14")	NC
<input type="checkbox"/>	087E2	Med (14" - 17") Not avail. w/ ELR	NC
<input type="checkbox"/>	087E5	Long (17" - 19")	NC
<input type="checkbox"/>	087E16	High Mount	\$84.00

**Footplate**

<input type="checkbox"/>	087F1	Composite (not avail. In 10", 11" or 12" width)	STD
<input type="checkbox"/>	087F3	Aluminum Angle Adjustable	\$152.00
<input type="checkbox"/>	087F4	Kids Angle Adjustable (not avail. w/17"-18" width)	NC
<input type="checkbox"/>	087F5	Aluminum (Only available with elevating legrests 14"-18")	NC
<input type="checkbox"/>	087F48	Platform Flip-Up (Avail on 60° 70° and 80° ext. mount hangers only)	\$200.00

**Front Seat to Floor Height Guide (Reference Only)**

Rear Wheel Size	CASTER SIZE							
	3"	4"	5"	6"	8"X1"	8"X1.5"	8"x2"	
12"	14.0	14.0	14.0		N/A	N/A	N/A	
	14.5	14.5	14.5					
	15.0	15.0	15.0	15.0				
	15.5	15.5	15.5	15.5				
	16.0	16.0	16.0	16.0				
12" Low Poly	14.0	14.0	14.0	15.0	N/A	N/A	N/A	
	14.5	14.5	14.5					
	15.0	15.0	15.0					
16"	14.0	14.0	14.0					
	14.5	14.5	14.5					
	15.0	15.0	15.0	15.0				
	15.5	15.5	15.5	15.5				
	16.0	16.0	16.0	16.0				
	16.5	16.5	16.5	16.5	16.5	16.5	16.5	
18"	14.0	14.0	14.0					
	14.5	14.5	14.5					
	15.0	15.0	15.0	15.0				
	15.5	15.5	15.5	15.5				
	16.0	16.0	16.0	16.0				
	16.5	16.5	16.5	16.5	16.5	16.5	16.5	
	17.0	17.0	17.0	17.0	17.0	17.0	17.0	
	17.5	17.5	17.5	17.5	17.5	17.5	17.5	
20"		18.0	18.0	18.0	18.0	18.0	18.0	
	14.0	14.0	14.0					
	14.5	14.5	14.5	15.0				
	15.0	15.0	15.0	15.5				
	15.5	15.5	15.5	16.0	16.5	16.5	16.5	
	16.0	16.0	16.0	16.5	17.0	17.0		
	16.5	16.5	16.5	17.0	17.5	17.5	17.5	
	17.0	17.0	17.0	17.5	18.0	18.0	18.0	
	17.5	17.5	17.5	18.0	18.5	18.5	18.5	
		18.0	18.0	18.5	19.0	19.0	19.0	
22"			18.5	19.0	19.5	19.5		
			15.0	15.0	15.0	15.5	16.5	
		15.0	15.0	15.0	15.5	16.0	17.0	
		15.5	15.5	15.5	16.0	16.5	17.5	
		16.0	16.0	16.0	16.5	17.0	17.5	
		16.5	16.5	16.5	17.0	17.5	18.0	
		17.0	17.0	17.0	17.5	18.0	18.5	
		17.5	17.5	17.5	18.0	18.5	19.0	
		18.0	18.0	18.0	18.5	19.0	19.5	
			18.5	19.0	19.5	20.0	20.0	
24"			15.5	15.5	15.5	15.5		
			16.0	16.0	16.0	16.0	16.5	
			16.5	16.5	16.5	16.5	17.0	
			17.0	17.0	17.0	17.0	17.5	
			17.5	17.5	17.5	17.5	18.0	
			18.0	18.0	18.0	18.0	18.5	
			18.5	18.5	18.5	18.5	19.0	
				19.0	19.0	19.0	19.5	
			19.5	19.5	19.5	20.0		

Based on 1.5" seat angle. To achieve desired seat height see matrices on last page.

Mark For:

✓ Option # Definition Price ✓ Option # Definition Price

**6. FOOTRESTS CONT.**

Footrest Hanger Options			
<input type="checkbox"/>	087IG2	Neoprene Covers (Avail. on 60°/70°/80° ext. mount hangers only)	\$53.00
<input type="checkbox"/>	087HL1	Heel Loops	NC
<input type="checkbox"/>	087A110	Toe Loop (Only avail. w/ adult angle adjust. footplates)	\$37.00

<input type="checkbox"/>	087HL5	Leg Strap	NC
<input type="checkbox"/>	087A54	Extra Single Leg Strap	\$53.00
<input type="checkbox"/>	087H33	Omit Hanger	-\$15.00
<input type="checkbox"/>	087F7	Omit Footplate & Ext. Tube	-\$16.00
<input type="checkbox"/>	087HL4	Omit Heel Loop	NC
<input type="checkbox"/>	087HL6	Omit Single Leg Strap	NC

**7. BACKREST/SEATING**

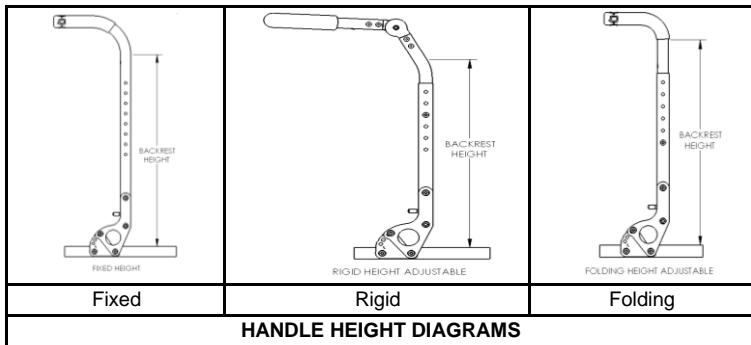
Back Height			
<i>(Solid Back Depth = 2" Less Than Frame Depth)</i>			
<input type="checkbox"/>	087B240	Short Solid Back 12"	\$357.00
<input type="checkbox"/>	087B241	Med. Solid Back 14"	\$357.00
<input type="checkbox"/>	087B242	Tall Solid Back 16"	\$357.00
<input type="checkbox"/>	087B176	Omit Backrest	NC

Jay Backs (Optional)			
<i>Ordering JAYbacks on-chair, See the JAY Price List. Requires Part #</i>			
<input type="checkbox"/>	087JB02	JAY Bundled Backrest Backrest Name or Part # Width:                      Height:	Price List

**Back Posts**

Fixed Height			
<input type="checkbox"/>	087BP9	Low (19" Ht)	NC
<input type="checkbox"/>	087BP10	Medium (22" Ht)	NC
<input type="checkbox"/>	087BP11	Tall (25" Ht)	NC
<input type="checkbox"/>	087BP13	Removable Extension	\$152.00
<input type="checkbox"/>	087RG1	Folding Adjustable Rigidizer	\$180.00

Height Adjustable			
<i>Rigid Frame w/ Angle Adjust Push Handle</i>			
<input type="checkbox"/>	087B202	<b>Std. (16"-22" Height.)</b>	NC
<input type="checkbox"/>	087PH8	<i>Std. Angle Adj. Push Handle</i>	NC
<input type="checkbox"/>	087PH9	<i>Long Angle Adj. Push Handle</i>	NC
<input type="checkbox"/>	087B203	<b>Tall (19"-25" Height.)</b>	NC
<input type="checkbox"/>	087PH8	<i>Std. Angle Adj. Push Handle</i>	NC
<input type="checkbox"/>	087PH9	<i>Long Angle Adj. Push Handle</i>	NC



<i>Folding Frame with Push Handle</i>			
<input type="checkbox"/>	087B204	<b>Std. (17"-23" Height.)</b>	NC
<input type="checkbox"/>	087BP47	<i>Swing Away Handle (not available with dual triggers)</i>	\$75.00
<input type="checkbox"/>	087B205	<b>Tall (20"-26" Height.)</b>	NC
<input type="checkbox"/>	087BP47	<i>Swing Away Handle (not available with dual triggers)</i>	\$75.00

**8. ARMRESTS**

Side Guard			
<i>(Not available with height adjustable armrests or T-Post)</i>			
<input type="checkbox"/>	087SG33	Plastic Std	\$163.00
<input type="checkbox"/>	087SG29	Plastic Low	\$163.00

Armrest and Armpad - Height Adjustable			
<input type="checkbox"/>	087AA11	<b>Single-Post Height Adj. Std.</b>	\$295.00
<input type="checkbox"/>	087AM23	<i>Desk Classic</i>	NC
<input type="checkbox"/>	087AM21	<i>Desk Contour</i>	NC
<input type="checkbox"/>	087AM24	<i>Full Classic</i>	NC
<input type="checkbox"/>	087AM22	<i>Full Contour</i>	NC
<input type="checkbox"/>	087AA29	<b>Single-Post Height Adj. Low</b>	\$295.00
<input type="checkbox"/>	087AM23	<i>Desk Classic</i>	NC
<input type="checkbox"/>	087AM21	<i>Desk Contour</i>	NC
<input type="checkbox"/>	087AM24	<i>Full Classic</i>	NC
<input type="checkbox"/>	087AM22	<i>Full Contour</i>	NC

Armrest and Armpad			
<input type="checkbox"/>	087AA12	T-Post Regular w/Foam	NC
<input type="checkbox"/>	087AA13	T-Post Tall w/Foam	NC
<input type="checkbox"/>	087AA3	Flip-Up	NC
<input type="checkbox"/>	087AA1	<b>Adjustable Locking Flip-Up</b>	\$295.00
<input type="checkbox"/>	087AA7	<b>Length Adjust. Locking Flip-Up</b>	\$295.00
<input type="checkbox"/>	087AM23	<i>Desk Classic (10") (not avail. w/T Post)</i>	NC
<input type="checkbox"/>	087AM24	<i>Full Classic (14") (not avail. w/T Post)</i>	NC
<input type="checkbox"/>	087AM9	<i>Foam Short (not avail. w/T Post)</i>	NC
<input type="checkbox"/>	087AM10	<i>Foam Long (not avail. w/T Post)</i>	NC

Armrest Receiver for Height Adjustable Armrest			
<input type="checkbox"/>	087AR17	<b>Low</b>	NC
<input type="checkbox"/>	087AR18	<b>Std</b>	NC

Mark For:

✓	Option #	Definition	Price	✓	Option #	Definition	Price
---	----------	------------	-------	---	----------	------------	-------

**9. KEY OPTIONS**

<b>Anti-Tip</b> <span style="border: 1px solid black; padding: 2px;"><b>UPDATED</b></span>			
<input type="checkbox"/>	087AO2	Front Anti-Tip (Not available with caster pin locks or transit option)	\$137.00
<input type="checkbox"/>	087AT17	Rear Anti-Tip	\$105.00

<b>Spoke Guard</b>			
<i>(Not available with 12", 16" and 18" rear wheels &amp; Projections Handrims)</i>			
<input type="checkbox"/>	087A23	Black	\$137.00
<input type="checkbox"/>	087A303	Clear Zippie	\$137.00

<b>Positioning Belt (w/clamps)</b>			
<input type="checkbox"/>	087A112	1" Dual Pull Side Squeeze Padded	\$115.00
<input type="checkbox"/>	087A117	Belt 2" Aircraft Buckle	\$121.00
<input type="checkbox"/>	087A118	Belt 2" Aircraft Buckle Padded	\$178.00
<input type="checkbox"/>	087A141	Belt 1.5" Auto Buckle	\$84.00
<input type="checkbox"/>	087A814	1" Comfort Fit APB5116	\$126.00

<b>Canopy (SunShade)</b>			
<i>(Need 2" back post clearance to mount canopy hardware, may require next height based on seating; please note some interference may occur with some headrest configurations)</i>			
<input type="checkbox"/>	0878A06	Canopy (Sunshade) 10"-14" Width	\$373.00
<input type="checkbox"/>	0878A07	Canopy (Sunshade) 15"-20" Width	\$373.00

<b>Upper Extremity Support Tray</b>			
<input type="checkbox"/>	087A29	X-Sm (Suggested 10"-12" Width)	\$331.00
<input type="checkbox"/>	087A30	Sm (Suggested 13"-14" Width)	\$331.00
<input type="checkbox"/>	087A31	Med (Suggested 15"-17" Width)	\$331.00
<input type="checkbox"/>	087A32	Lrg (Suggested 18"-20" Width)	\$331.00

<b>Back Pack (Kids Backpack included)</b>			
<input type="checkbox"/>	087A1	Utility Backpack - Black	\$97.00
<input type="checkbox"/>	087A2	Additional Kids Black Backpack	\$90.00

<b>Miscellaneous</b>			
<input type="checkbox"/>	087A83	Tool Kit	\$37.00
<input type="checkbox"/>	087A8	Black Seat Pouch	\$73.00

**10. COLOR**

<b>Standard Colors</b>			
<input type="checkbox"/>	087C140	Aztec Gold	NC
<input type="checkbox"/>	087C2	Black (Not avail as base w/Zebra)	NC
<input type="checkbox"/>	087C141	Black Cherry	NC
<input type="checkbox"/>	087C10	Black Opal	NC
<input type="checkbox"/>	087C38	Blue Opal	NC
<input type="checkbox"/>	087C36	Candy Blue	NC
<input type="checkbox"/>	087C14	Candy Purple	NC
<input type="checkbox"/>	087C35	Candy Red	NC
<input type="checkbox"/>	087C142	Electric Blue	NC
<input type="checkbox"/>	087C143	Evergreen	NC
<input type="checkbox"/>	087C126	Glow	NC
<input type="checkbox"/>	087C144	Green Apple	NC
<input type="checkbox"/>	087C147	Hot Sparkle Pink	NC
<input type="checkbox"/>	087C148	Mauve Pink	NC
<input type="checkbox"/>	087C103	Rootbeer	NC
<input type="checkbox"/>	087C114	Sparkle Silver	NC
<input type="checkbox"/>	087C145	Sunrise Orange	NC
<input type="checkbox"/>	087C113	Titanium Color Paint	NC
<input type="checkbox"/>	087C8	Yellow	NC

<b>Standard Matte Colors</b>			
<input type="checkbox"/>	087C116	Matte Black	NC
<input type="checkbox"/>	087C151	Matte Black Cherry	NC
<input type="checkbox"/>	087C152	Matte Purple	NC
<input type="checkbox"/>	087C150	Matte Electric Blue	NC
<input type="checkbox"/>	087C149	Matte Evergreen	NC

<b>Custom Colors</b>			
<input type="checkbox"/>	087C43	Mossy Oak Camouflage	\$320.00
<input type="checkbox"/>	087C42	Stars and Stripes	\$320.00
<input type="checkbox"/>	087C108	Zebra (Choose base color above: White Std, n/a)	\$320.00

Mark For:

✓	Option #	Definition	Price	✓	Option #	Definition	Price
---	----------	------------	-------	---	----------	------------	-------

**11. BUNDLING**



Save time! Wheelchair and seating will be delivered together.  
Hardware pre-installed.

**Cushions**

<input type="checkbox"/> Jay Cushion:			
Width:		Depth:	
Notes:			

**Backs**

<input type="checkbox"/> Jay Back:			
Width:		Height:	
Notes:			

**Headrest**

<input type="checkbox"/> System:		
Pads:		
Notes:		
Hardware:		
Notes:		

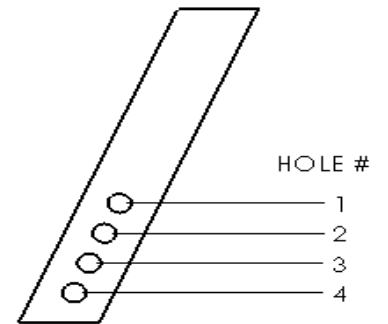
**Jay Positioning Components**

<input type="checkbox"/> Anterior Trunk Supports:		
Size:		
Hand and Arm Supports:		
Size:		
Pelvic Positioning:		
Size:		
Foot Positioning:		
Size:		
Notes:		

## Zippie GS Seat Height Setup

Caster Fork Size	Caster Stem	Caster Fork Hole Position	CASTER SIZE							
			3	4	5	6	8x1	8x1.5	8x2	
5-1/4" (N/A with 8x2 Caster)	Std	1			14					
		2		14	14.5	15				
		3	14	14.5	15	15.5				
		4	14.5	15	15.5	16	17	16.5		
	+3/4"	1			14.5					
		2		14.5	15	15.5				
		3	14.5	15	15.5	16				
		4	15	15.5	16	16.5	17.5	17.5		
	+1-1/2"	1			15.5					
		2		15.5	16	16.5				
		3	15.5	16	16.5	17				
		4	16	16.5	17	17.5	18.5	18		
6" (N/A with 8x2 Caster)	Std	1			14.5	15				
		2		14.5	15	15.5	16.5	16.5		
		3	14.5	15	15.5	16	17	17		
		4	15	15.5	16	16.5	17.5	17.5		
	+3/4"	1			15.5	16				
		2		15.5	16	16.5	17.5	17		
		3	15.5	16	16.5	17	18	17.5		
		4	16	16.5	17	17.5	18.5	18		
	+1-1/2"	1			16	16.5				
		2		16	16.5	17	18	18		
		3	16	16.5	17	17.5	18.5	18.5		
		4	16.5	17	17.5	18	19	19		
7" (N/A with 8x2 Caster)	Std	1			15.5	16	17	17		
		2		15.5	16	16.5	17.5	17.5		
		3	15.5	16	16.5	17	18	18		
		4	16	16.5	17	17.5	18.5	18.5		
	+3/4"	1			16	16.5	18	17.5		
		2		16	16.5	17	18.5	18		
		3	16	16.5	17	17.5	19	18.5		
		4	16.5	17	17.5	18	19.5	19		
	+1-1/2"	1			17	17.5	18.5	18.5		
		2		17	17.5	18	19	19		
		3	17	17.5	18	18.5	19.5	19.5		
		4	17.5	18	18.5	19	20	20		
8" Wide (must use with 8x2 caster)	Std	1							16.5	
		2							17.5	
	+3/4"	1							17.5	
		2							18.5	
	+1-1/2"	1							18	
		2							19	

5-1/4", 6" & 7" Fork



8" Wide Fork

