



NAME \_\_\_\_\_ PHONE NO \_\_\_\_\_  
 ADDRESS \_\_\_\_\_  
**MEDmobility Reference Only**

**FRAME SELECTION**

**FRAME TYPE**  
 MYONAC MyOn Active Folding Wheelchair \$2,575

**FRAME WIDTH**  
*Must refer to Width, Depth and Depth Range Matrix for available options.*

- W20 20" Wide (Select Regular or Heavy Duty) No Charge
- W22 22" Wide (Heavy Duty) No Charge  
*Excludes D16, D17.*
- W24 24" Wide (Heavy Duty) No Charge  
*Excludes D16, D17.*



**HEAVY DUTY OPTION**

HDPG Heavy Duty Package No Charge  
*(Optional with W20) Standard H11 with W22 and W24. Must select HX112P or HX112H.  
 Only compatible with casters: AT903 and AT1292, arms: TAHD, REDL, REFL. Not compatible with spoke wheels or dual handrims.*

**SEAT DEPTH**

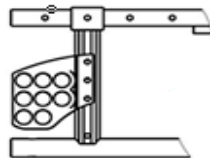
- D16 16" Seat Depth No Charge
- D17 17" Seat Depth No Charge  
*D17 uses 16"+ 1" extension and adj. depth upholstery. Not available with W22 and W24.*
- D18 18" Seat Depth No Charge
- D19 19" Seat Depth No Charge  
*D19 uses 18"+ 1" extension and adj. depth upholstery. Only available with W22 and W24.*
- D20 20" Seat Depth No Charge

**FRONT SEAT-TO-FLOOR HEIGHT**

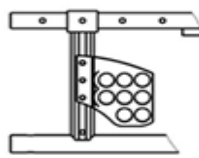
- FSTF14 Seat-to-floor 14" No Charge  
*Not available with W20, W22 or W24 HD Frames. Only available with 5ALUM, AT901*
- FSTF15 Seat-to-floor 15" No Charge  
*Only available with low fork and 5" front caster. Not available with W20, W22 or W24 HD Frames.*
- FSTF16 Seat-to-floor 16" No Charge  
*Not available with W20, W22 or W24 HD Frames. Not available in combination with FFHD/FFHF and 24" rear wheels.*
- FSTF17 Seat-to-floor 17" No Charge  
*Not available with W20, W22 or W24 HD Frames.*
- FSTF18 Seat-to-floor 18" No Charge
- FSTF19 Seat-to-floor 19" No Charge
- FSTF20 Seat-to-floor 20" No Charge

**REAR AXLE POSITION**

- ACTIVE Active (In front of Back Cane) No Charge  
*Active position interferes if all listed are selected together:  
 WLPULL/WLPUSH/WLPULLX/WLPUSHX and FFHD/FFHF/FAHD/FAHF and FSTF16/FSTF15/FSTF14.  
 To use flip back arms with ACTIVE position, FSTF must be 17" or higher.*
- STABLE Stable (Behind Back Cane) No Charge  
*Not available with 20" rear wheels.*



ACTIVE



STABLE

**Heavy Duty Frame Weight Capacity 350 lbs**

MYONAC SEATING MATRIX (Canada)								
Seat Depth \ Seat Width	Seat Width							
	W15	W16	W17	W18	W19	W20	W22	W24
D15	X	X	X	X	X	X	X	X
D16	Y	Y	Y	Y	Y	Y	Y	O
D17	Y	Y	Y	Y	Y	Y	O	O
D18	Y	Y	Y	Y	Y	Y	O	O
D19	Y	Y	Y	Y	Y	Y	Y	Y
D20	Y	Y	Y	Y	Y	Y	Y	Y

Compatible  
 Not compatible  
 Must Omit Upholstery

Front Seat to Floor Height Chart										
Myon & Myon AC	20			22			24			
	FSTF	5	6	8	5	6	8	5	6	8
14	X									
15	X			X						
16	X	X		X	X		X	X		
17	X	X		X	X		X	X		
18	X		X	X	X		X	X	X	X
19						X		X	X	X
20										X

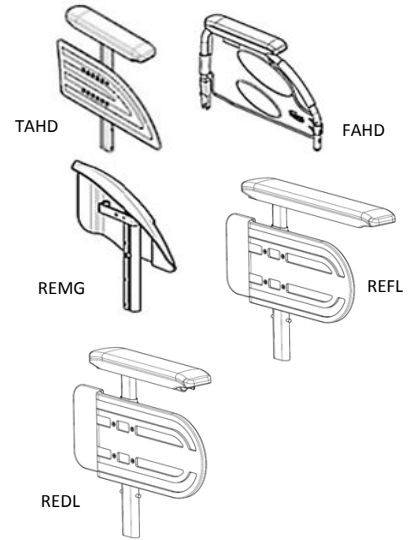
**Standard**  
 Flush Seat Slope Only  
 Flush & 1" Seat Slope  
 Flush, 1", and 2" Seat Slope  
 1" & 2" Seat Slope

**ARM & BACK SELECTION**

**ARMS (PAIRS)**

All arms are Height Adjustable, except for the FFHD/FFHF.

<input type="checkbox"/> TAHD	T Arm Adjustable Height Desk Length w/ Locking Pins	\$372
<input type="checkbox"/> TAHF	T Arm Adjustable Height Full Length w/ Locking Pins	\$372
<i>Not available with HDPG Frames.</i>		
<input type="checkbox"/> FFHD	Flip Back Arm Fixed Height Desk Length	\$261
<i>Not available with 17D or 19D or HDPG Frames.</i>		
<input type="checkbox"/> FFHF	Flip Back Arm Fixed Height Full Length	\$261
<i>Not available with 17D or 19D or HDPG Frames.</i>		
<input type="checkbox"/> FAHD	Flip Back Arm Adjustable Height Desk Length	\$372
<i>Not available with 17D or 19D or HDPG Frames.</i>		
<input type="checkbox"/> FAHF	Flip Back Arm Adjustable Height Full Length	\$372
<i>Not available with 17D or 19D or HDPG Frames.</i>		
<input type="checkbox"/> REDL	Removable N°4 Desk Length (Single Point Arm)	\$372
<input type="checkbox"/> REFL	Removable N°4 Full Length (Single Point Arm)	\$372
<i>Not available on D16.</i>		
<input type="checkbox"/> REMG	Removable Mudguard	\$203
<i>Not available with W20, W22 or W24 HD Frames.</i>		
<input type="checkbox"/> LESSARMS	Less Arms	No Charge



**BACK TYPE**

All backs canes come with Push Handles.

<input type="checkbox"/> FIX059	Fixed 0° Backrest, Adj. Ht Canes, Upholstery Height 15"-19" <i>Only available with W15-W20 Regular Frames. Add 2.8" (height of bend) for overall cane height.</i>	No Charge
<input type="checkbox"/> FIX02P	Fixed 0° Backrest, 2 Position Upholstery Ht 16"/17", Cane Ht 20" <i>Add 2.3" (height of bend) for overall cane height.</i>	No Charge
<input type="checkbox"/> FIX020	Fixed 0° Backrest Upholstery Ht 20", Cane Ht 23" <i>Add 2.3" (height of bend) for overall cane height.</i>	\$88
<input type="checkbox"/> FIX72P	Fixed 7° Backrest, 2 Position Upholstery Ht 16"/17", Cane Ht 20" <i>Only available with W15-W20 Regular Frames. Add 2.3" (height of bend) for overall cane height.</i>	No Charge
<input type="checkbox"/> FIX720	Fixed 7° Backrest Upholstery Ht 20", Cane Ht 23" <i>Only available with W15-W20 Regular Frames. Add 2.3" (height of bend) for overall cane height.</i>	\$88
<input type="checkbox"/> FIX748	Fixed 7° Backrest, Adj. Ht Canes, Upholstery Ht 14-18" <i>Only available with W15-W20 Regular Frames. Add 2.3" (height of bend) for overall cane height.</i>	No Charge
<input type="checkbox"/> AA748	Adj Ang 7° Back, Adj Ht Canes, Upholstery Ht 14"-18" (-6° to 16°, infinite step) <i>Anti-tippers do not come standard. Available with W15-W20 Regular Frames. Add 2.3" (height of bend) for overall cane height.</i>	No Charge
<input type="checkbox"/> AA720	Adj. Angle 7° Back, Upholstery Ht 20", Cane Ht 23" (-6° to 16°, infinite step) <i>Anti-tippers do not come standard. Available with W15-W20 Regular Frames.</i>	No Charge
<input type="checkbox"/> FOLD17	Folding Backrest Upholstery Ht 14"-17" <i>Only available with W15-W20 Regular Frames. Add 3" (height of bend) for overall cane height.</i>	\$172
<input type="checkbox"/> FOLD20	Folding Backrest Upholstery Ht 17"-20" <i>Only available with W15-W20 Regular Frames. Add 3" (height of bend) for overall cane height.</i>	\$172

**CASTER & WHEEL OPTIONS**

**CASTER OPTIONS**

<input type="checkbox"/> 5ALUM	5" Aluminum Urethane Casters	\$153
<i>Not available with HDPG Frames.</i>		
<input type="checkbox"/> AT5SOFT	5" x 1 1/2" Soft Roll Casters	No Charge
<input type="checkbox"/> AT901	5" Composite Urethane Casters	No Charge
<i>Not available with HDPG Frames.</i>		
<input type="checkbox"/> AT902	6" Composite Urethane 3 Spoke Casters	No Charge
<i>Not available with HDPG Frames.</i>		
<input type="checkbox"/> 6PNEU	6" X 1 1/4" Composite Pneumatic Casters	\$76
<i>Not available with HDPG Frames.</i>		
<input type="checkbox"/> AT903	8" X 1 1/4" Composite Urethane Casters	<b>Standard</b>
<input type="checkbox"/> AT1292	8" X 1 1/4" Pneumatic Casters	No Charge
<input type="checkbox"/> 1492	Flat Free Inserts for 8" X 1 1/4" Casters	\$123

**WHEEL OPTIONS**

<input type="checkbox"/> 1763BK	20" Composite Pneumatic Tires	\$231
<input type="checkbox"/> 4763BK	20" Composite Pneumatic Flat Free Inserts	\$349
<input type="checkbox"/> U1763BK	20" Composite Urethane Tires	No Charge
<input type="checkbox"/> 1764BK	22" Composite Pneumatic Tires	\$231
<input type="checkbox"/> 4764BK	22" Composite Pneumatic Flat Free Inserts	\$349
<input type="checkbox"/> 22SP	22" Spoke	No Charge
<i>Not available with HDPG Frames.</i>		
<input type="checkbox"/> 22ITESPK	22" Gallop Light Spoke	No Charge
<i>Not available with HDPG Frames.</i>		
<input type="checkbox"/> U1764BK	22" Composite Urethane Tires	No Charge
<input type="checkbox"/> 2244BK	24" Composite Pneumatic Tires	No Charge
<input type="checkbox"/> 4244BK	24" Composite Pneumatic w/FF Inserts	\$128
<input type="checkbox"/> U2244BK	24" Composite Urethane Tires	No Charge
<input type="checkbox"/> 24SP	24 Spoke	No Charge
<i>Not available with HDPG Frames.</i>		
<input type="checkbox"/> 24HPS	24" High Performance Spoke	\$210
<i>Not available with HDPG Frames.</i>		
<input type="checkbox"/> 24ITESPK	24" Gallop Light Spoke	No Charge
<i>Not available with HDPG Frames.</i>		
<input type="checkbox"/> SPIN24	24" Spinergy Spoke Wheels	\$731
<i>Not available with HDPG Frames.</i>		

\*Spinergy Spoke Color (If color is not chosen, spokes will be black.)

SPCY - Yellow,  SPCBK - Black,  SPCW - White,  SPCR - Red,  SPCBL - Blue

**TIRE OPTIONS (PAIR)**

<input type="checkbox"/> PNEU	Pneumatic	No Charge
<i>Available with wheels: 22SP, 24SP, 22ITESPK, 24ITESPK, 24HPS.</i>		
<input type="checkbox"/> PNEUFF	Pneumatic-Flat Free	\$128
<i>Available with wheels: 22SP, 24SP, 22ITESPK, 24ITESPK, 24HPS.</i>		
<input type="checkbox"/> PRIMO	Primo Tires (Pair)	\$105
<i>Available with SPIN24 (Spinergy Spoke Wheels.)</i>		
<input type="checkbox"/> KIKB	KIK®-Black	\$105
<i>Available on 24SP or 24HPS.</i>		

**HANDRIM OPTIONS**

<input type="checkbox"/> ALUMPC	Aluminum Anodized Handrims	<b>Standard</b>
<i>Not available with U2222C</i>		
<input type="checkbox"/> A1512	Plastic Coated Handrims	\$114
<input type="checkbox"/> COM	Composite Handrim	No Charge
<i>Only Available on 24" Composite Rear Wheels.</i>		
<input type="checkbox"/> P1512	Black Wrinkle Coated (Aluminum)	No Charge
<i>Available with U2222C only.</i>		
<input type="checkbox"/> AT1224-8	Plastic Coated w/8 Oblique Projections	\$307
<i>Available on 24" rear wheels only. Not available on Spoked Rear Wheels.</i>		
<input type="checkbox"/> AT1225-8	Plastic Coated w/8 Vertical Projections	\$307
<i>Only available on 2244BK, 4244BK or U2244BK</i>		
<input type="checkbox"/> AT1225-12	Plastic Coated w/12 Vertical Projections	\$307
<i>Available on 24" rear wheels only. Not available on Spoked Rear Wheels.</i>		
<input type="checkbox"/> L8702	Omit Handrims Only	Less net (\$15)

**Dual Hand Rim Propulsion**

<i>Available with 24" Rear wheels, WLPULL, PAXLE and solid or pneumatic tires.</i>		
<i>Only available on W15 - W19. Not available with FSTF14 or FSTF15 or HDPG frame option.</i>		
<input type="checkbox"/> DUHAR	Dual Handrim Right Hand (quick release axles, 0° seat angle)	\$728
<input type="checkbox"/> DUHAL	Dual Handrim Left Hand (quick release axles, 0° seat angle)	\$728

**Dual Hand Rim Tire Option**

<input type="checkbox"/> PNEU	Pneumatic Tire Option	No Charge
<input type="checkbox"/> SOLID	Solid Tire Option	No Charge



WLPUSH

**WHEEL LOCKS**

<input type="checkbox"/> WLPULL	Pull-To-Lock Wheel Lock (Clamp-On Style)	No Charge
<i>Not available together with: FSTF14 and 20" rear wheels, FSTF15 and 22" rear wheels or FSTF16 and 24" rear wheels</i>		
<input type="checkbox"/> WLPUSH	Push-To-Lock Wheel Lock (Clamp-On Style)	No Charge
<input type="checkbox"/> WLPULLX	Pull-To-Lock Wheel Lock w/ Wheel Lock Extensions (Clamp-On Style)	No Charge
<i>Not available together with: FSTF14 and 20" rear wheels, FSTF15 and 22" rear wheels or FSTF16 and 24" rear wheels</i>		
<input type="checkbox"/> WLPUSHX	Push-To-Lock Wheel Lock w/ Wheel Lock Extensions (Clamp-On Style)	No Charge
<input type="checkbox"/> 9691	MVP™ Style Wheel Lock - Push to Lock (Clamp-On Style) SPECIAL	No Charge
<i>Use Special Quote C-120110125612.</i>		

**WHEEL LOCK ACCESSORIES**

<input type="checkbox"/> A1576	MVP™ Style Wheel Lock Extension (6")	\$63
<i>Not compatible with PULL to lock wheellocks. Must be ordered on a separate line.</i>		

**REAR AXLES**

<input type="checkbox"/> A1577	Quick Release Axles	<b>Standard</b>
--------------------------------	---------------------	-----------------

**FRAME & UPHOLSTERY COLOUR**

**CONTEMPORARY**

<input type="checkbox"/> 24P	Wet Black	No Charge
<input type="checkbox"/> 60P	Silver Metallic	No Charge
<input type="checkbox"/> 71P	Silver Vein	No Charge
<input type="checkbox"/> 105P	Midnight Blue	No Charge
<input type="checkbox"/> 115P	Black Prism	No Charge

**TOO HOT**

<input type="checkbox"/> 30P	Sunny Yellow	No Charge
<input type="checkbox"/> 61P	Electric Red	No Charge
<input type="checkbox"/> 119P	Bubblegum Pink	No Charge
<input type="checkbox"/> 120P	Grape Madness	No Charge

**WAY COOL**

<input type="checkbox"/> 62P	Electric Blue	No Charge
<input type="checkbox"/> 104P	Electric Teal	No Charge
<input type="checkbox"/> 121P	Lolly Pop Blue	No Charge
<input type="checkbox"/> 122P	Cosmic Blue	No Charge
<input type="checkbox"/> 125P	Emerald Green	No Charge
<input type="checkbox"/> 127P	Grasshopper Green	No Charge

**SEAT UPHOLSTERY TYPE**

<input type="checkbox"/> USS	Nylon w/ Hook & Loop Seat Upholstery	<b>Standard</b>
<input type="checkbox"/> USP	Padded Nylon Seat Upholstery	No Charge
<input type="checkbox"/> L8651	Omit Seat Upholstery	Less net (\$15)

**BACK UPHOLSTERY TYPE**

<input type="checkbox"/> ADJNYL	Contour Tension Adjustable Nylon Back	No Charge
<i>Includes backbrace. 2" high straps at top and bottom, 1" high straps in centre.</i>		
<input type="checkbox"/> ADJTENS	Adjustable Tension Back Upholstery	\$142
<i>Includes backbrace. 1.75" high straps throughout.</i>		
<input type="checkbox"/> L8601	Omit Back Upholstery	Less (\$20)
<i>Backbrace not included.</i>		

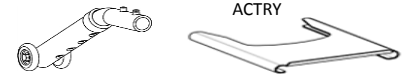
**POSITIONING STRAPS**

**SEAT POSITIONING**

- A1515 Auto Style Seat Positioning Strap \$84
- A1321 Hook & Loop Seat Positioning Strap \$66

**MISC. ACCESSORIES**

- P1580 Rear Anti Tippers (pair) \$109
- A1569 Cane Holder \$66
- A1580P Tipping Aid (pair) \$114
- Not available with FSTF14.*
- ACTRY Acrylic Tray \$270
- A1337 Calf/leg Strap \$63
- A9342 "H" Heel Strap \$94
- Not available on ELVSWING (Elevating Legrest Swing In/Out) or HLOOP (Heel Loops).*
- HLOOP Heel Loops \$84
- Not available with A9342 ("H" Heel Strap) or ELVSWING (Elevating Legrest Swing In/Out).*



**FRONT RIGGING OPTIONS**

**FRONT RIGGING (PAIRS)**

- 70STRGHT 70° Straight Swing In/Out Hanger with Quad Release \$259
- 80STRGHT 80° Straight Swing In/Out Hanger with Quad Release \$259
- 90STRGHT 90° Straight Swing In/Out Hanger \$259
- Available with 5" casters. Not available with FLIPFTS (flip up composite footplates).*
- ELVSWING Elevating Legrest Swing In/Out (includes calf pads) \$416
- Not available with FSTF14 or FSTF15, FRMPRBK (frame protectors) or A9342 ("H" heel strap).*
- NO FRONTRIG Omit Front Rigging Selection No Charge



**AMPUTEE LEGRESTS**

- If a full set of hangers is needed plus an amputee legrest, please order legrests in configurator then order part# 1169054 for AMPLEGR T, 1169055 for AMPLEGL T. Receive on chair MSRP of \$125 ea.*
- AMPLEGR T Amputee Legrest Right Side Only (select OMITRT in configurator) \$125
- AMPLEGL T Amputee Legrest Left Side Only (select OMITLT in configurator) \$125

**FOOTPLATE TYPE (PAIRS)**

- FLIPFTS Flip Up Footplates No Charge
- Not Available on 90STRGHT (90° Straight Swing In/Out Hanger ).*
- FLPDADJ Flip Up Depth & Angle Adj. Footplates \$135
- 1PCFTPT One Piece Footplate \$135

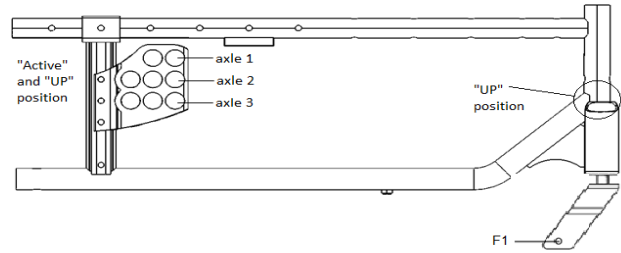


		Pivot Tube part number		Knee-to-heel range (from seat rail to top of foot plate)
MYONAC (standard weight cap)	FLIPFTS (Composites), FLPDADJ (Angle/Depth Adjustable). Includes all hangers and elev legs	FSTF14	Superlow 1541994	FLIPFTS: 13"-16.25" FLPDADJ: 13.25"-18.25"
		FSTF15 - FSTF16	Short 1434561-0010	FLIPFTS: 13.25"-18.25" FLPDADJ: 13"-18"
		FSTF17 - FSTF20	Short 1434561-0010	FLIPFTS: 13.25"-18.25" FLPDADJ: 13"-18"
	1PCFTPT (one piece footplate)	FSTF15 - FSTF20	Same tube for height range, tube depends on width (comes with plate)	13.5"-18.25"

		Pivot Tube part number		Knee-to-heel range (from seat rail to top of foot plate)
MYON AC HDPG (Heavy duty package)	FLIPFTS (Composites)	FSTF14	Superlow 1541994	FLIPFTS: 13"-16.25" FLPDADJ: 13.25"-16.25"
		FSTF15 - FSTF16	Short 1434561-0010	FLIPFTS: 13.25"-18.25" FLPDADJ: 13"-18"
		FSTF17 - FSTF20	Short 1434561-0010	FLIPFTS: 13.25"-18.25" FLPDADJ: 13"-18"
	FLPDADJ (Angle/Depth Adjustable)	FSTF15 - FSTF20	Same pivot tube for full range	13.5"-18.25"
	1PCFTPT (one piece footplate)	FSTF15 - FSTF20	Same tube for height range, tube depends on width (comes with plate)	13.5"-18.25"

Seat-To-Floor Chart with Super Low Fork

Flush Seat Slope		Wheel Size and Axle position			Fork Position and Caster Size	
Front STF	Rear STF	Axle plate in "UP" position			Fork in "UP" position	Fork in "DOWN" position
14" FSTF	14" FSTF	axle 1	axle 1	axle 1	F1	F1
15" FSTF	15" FSTF	axle 2	axle 1			F1



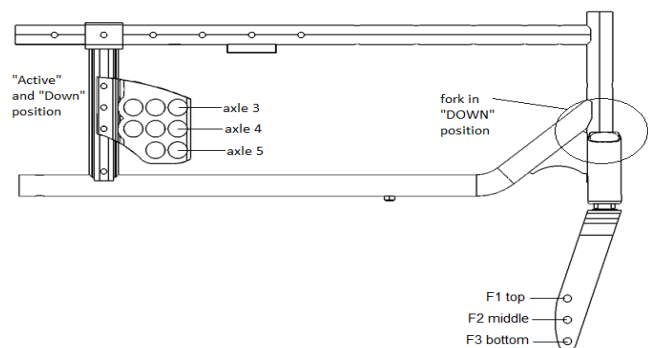
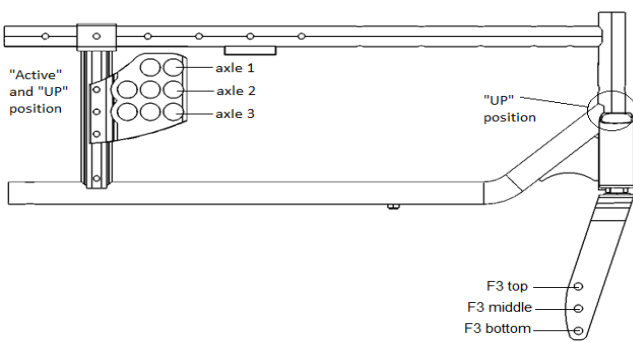
1" Seat Slope		Wheel Size and Axle position			Fork Position and Caster Size	
Front STF	Rear STF	Axle plate in "UP" position			Fork in "UP" position	Fork in "DOWN" position
14" FSTF	14" FSTF				F1	5"
15" FSTF	15" FSTF	axle 1				F1

MyOn AC STF Chart using regular fork, (excludes 14" FSTF) - General Guideline

Flush Seat Slope		Wheel Size and Axle Position			Fork Position & Caster Size F1=1 hole fork, F2=2 holes, F3=3 holes					
Front STF	Rear STF	20"	22"	24"	Fork in "UP" position			Fork in "DOWN" position		
15" FSTF	15" RSTF	axle 2	axle 1	axle 1	F1			F1		
16" FSTF	16" RSTF	axle 3	axle 2	axle 1		F3 top				
17" FSTF	17" RSTF	axle 4	axle 3	axle 2	F2 bottom	F3 middle			F3 top	
18" FSTF	18" RSTF	axle 5	axle 4	axle 3		F3 bottom	F3 middle	F2 bottom	F3 middle	
19" FSTF	19" RSTF		axle 5	axle 4			F3 bottom		F3 bottom	F3 middle
20" FSTF	20" RSTF			axle 5						F3 bottom

1" Seat Slope		Wheel Size and Axle position			Fork Position & Caster Size F1=1 hole fork, F2=2 holes, F3=3 holes					
Front STF	Rear STF	20"	22"	24"	Fork in "UP" position			Fork in "DOWN" position		
15" FSTF	14" RSTF	axle 1			F1					
16" FSTF	15" RSTF	axle 2	axle 1			F3 top		F1		
17" FSTF	16" RSTF	axle 3	axle 2	axle 1	F2 bottom	F3 middle			F3 top	
18" FSTF	17" RSTF	axle 4	axle 3	axle 2		F3 bottom	F3 middle	F2 bottom	F3 middle	
19" FSTF	18" RSTF	axle 5	axle 4	axle 3			F3 bottom		F3 bottom	F3 middle
20" FSTF	19" RSTF		axle 5	axle 4						F3 bottom

2" Seat Slope		Wheel Size and Axle position			Fork Position & Caster Size F1=1 hole fork, F2=2 holes, F3=3 holes					
Front STF	Rear STF	20"	22"	24"	Fork in "UP" position			Fork in "DOWN" position		
15" FSTF	13" RSTF									
16" FSTF	14" RSTF	axle 1				F3 top		F1		
17" FSTF	15" RSTF	axle 2	axle 1		F2 bottom	F3 middle			F3 top	
18" FSTF	16" RSTF	axle 3	axle 2	axle 1		F3 bottom	F3 middle	F2 bottom	F3 middle	
19" FSTF	17" RSTF	axle 4	axle 3	axle 2			F3 bottom		F3 bottom	F3 middle
20" FSTF	18" RSTF	axle 5	axle 4	axle 3						F3 bottom



**MATRX SEATING**

Select cushion and/or back from this list. Seating will ship separately.  
Order must be entered by Invacare Customer Service.

**CUSHIONS:**

<input type="checkbox"/>	MA1616-Vi	MaTRx-Vi Cushion 16Wx 16D	\$624
<input type="checkbox"/>	MA1618-Vi	MaTRx-Vi Cushion 16Wx 18D	\$624
<input type="checkbox"/>	MA1816-Vi	MaTRx-Vi Cushion 18Wx 16D	\$624
<input type="checkbox"/>	MA1818-Vi	MaTRx-Vi Cushion 18Wx 18D	\$624
<input type="checkbox"/>	MA2016-Vi	MaTRx-Vi Cushion 20Wx 16D	\$681
<input type="checkbox"/>	MA2018-Vi	MaTRx-Vi Cushion 20Wx 18D	\$681
<input type="checkbox"/>	MA2020-Vi	MaTRx-Vi Cushion 20Wx 20D	\$681
<input type="checkbox"/>	PS1616	MaTRx Posture Seat 16W x 16D	\$569
<input type="checkbox"/>	PS1618	MaTRx Posture Seat 16W x 18D	\$569
<input type="checkbox"/>	PS1816	MaTRx Posture Seat 18W x 16D	\$569
<input type="checkbox"/>	PS1818	MaTRx Posture Seat 18W x 18D	\$569
<input type="checkbox"/>	PS2016	MaTRx Posture Seat 20W x 16D	\$569
<input type="checkbox"/>	PS2018	MaTRx Posture Seat 20W x 18D	\$569
<input type="checkbox"/>	PS2020	MaTRx Posture Seat 20W x 20D	\$569
<input type="checkbox"/>	PSVF1616	MaTRx Posture Seat with Visco foam 16W x 16D	\$672
<input type="checkbox"/>	PSVF1618	MaTRx Posture Seat with Visco foam 16W x 18D	\$672
<input type="checkbox"/>	PSVF1816	MaTRx Posture Seat with Visco foam 18W x 16D	\$672
<input type="checkbox"/>	PSVF1818	MaTRx Posture Seat with Visco foam 18W x 18D	\$672
<input type="checkbox"/>	PSVF2016	MaTRx Posture Seat with Visco foam 20W x 16D	\$672
<input type="checkbox"/>	PSVF2018	MaTRx Posture Seat with Visco foam 20W x 18D	\$672
<input type="checkbox"/>	PSVF2020	MaTRx Posture Seat with Visco foam 20W x 20D	\$672
<input type="checkbox"/>	DAR-S	Startex Modification - Wipeable Smooth Side Out Cover for Cushions <i>(Must specify cushion model/size) Price listed for purchases with cushion only.</i>	\$53
<input type="checkbox"/>	FT1616-A	Flo-Tech Cushion 16Wx 16D	\$724
<input type="checkbox"/>	FT1618-A	Flo-Tech Cushion 16Wx 18D	\$724
<input type="checkbox"/>	FT1816-A	Flo-Tech Cushion 18Wx 16D	\$724
<input type="checkbox"/>	FT1818-A	Flo-Tech Cushion 18Wx 18D	\$724
<input type="checkbox"/>	FT2016-A	Flo-Tech Cushion 20Wx 16D	\$830
<input type="checkbox"/>	FT2018-A	Flo-Tech Cushion 20Wx 18D	\$830
<input type="checkbox"/>	FT2020-A	Flo-Tech Cushion 20Wx 20D	\$830

**BACKS:**

<input type="checkbox"/>	PBE1616	MaTRx PB Elite Back 16W x 16H	\$766
<input type="checkbox"/>	PBE1716	MaTRx PB Elite Back 17W x 16H	\$766
<input type="checkbox"/>	PBE1816	MaTRx PB Elite Back 18W x 16H	\$766
<input type="checkbox"/>	PBE1916	MaTRx PB Elite Back 19W x 16H	\$766
<input type="checkbox"/>	PBE2016	MaTRx PB Elite Back 20W x 16H	\$766
<input type="checkbox"/>	EDB1616	MaTRx PB Deep Elite Back 16W x 16H	\$918
<input type="checkbox"/>	EDB1716	MaTRx PB Deep Elite Back 17W x 16H	\$918
<input type="checkbox"/>	EDB1816	MaTRx PB Deep Elite Back 18W x 16H	\$918
<input type="checkbox"/>	EDB1916	MaTRx PB Deep Elite Back 19W x 16H	\$918
<input type="checkbox"/>	EDB2016	MaTRx PB Deep Elite Back 20W x 16H	\$918
<input type="checkbox"/>	MPB1616	MaTRx-PB Posture Back 16W x 16H	\$734
<input type="checkbox"/>	MPB1716	MaTRx-PB Posture Back 17W x 16H	\$734
<input type="checkbox"/>	MPB1816	MaTRx-PB Posture Back 18W x 16H	\$734
<input type="checkbox"/>	MPB2016	MaTRx-PB Posture Back 20W x 16H	\$734
<input type="checkbox"/>	MPBD1616	MaTRx-PB Deep Posture Back 16W x 16H	\$892
<input type="checkbox"/>	MPBD1716	MaTRx-PB Deep Posture Back 17W x 16H	\$892
<input type="checkbox"/>	MPBD1816	MaTRx-PB Deep Posture Back 18W x 16H	\$892
<input type="checkbox"/>	MPBD2016	MaTRx-PB Deep Posture Back 20W x 16H	\$892
<input type="checkbox"/>	EBSS	Supersoft Foam Upgrade - Available for Elite, Elite Deep and Elite Heavy Duty backs <i>(Must specify back model/size). Price listed for purchases with back support only.</i>	\$103
<input type="checkbox"/>	WSC	Startex Extra Cover - Wipeable Slip Cover for Backs <i>(Must specify back model/size). Price listed for purchases with back support only.</i>	\$103

**Invacare Canada reserves the right to change prices and specifications without notice.**

HEAD OFFICE - 570 Matheson Blvd, Unit# 8, Mississauga, ON L4Z 4G4 Phone: (905) 890-8300 (800) 668-5324(Canada) Fax: (905) 890-5244 (800) 668-5478(Canada)

Regional Centre - 16769 Boul. Hymus, Kirkland, P.Q. H9H 3L4 Phones: (514) 630-6080 (800) 363-0137(P.Q.) Fax: (514) 630-6120

Invacare®, and Yes, you can., are trademarks of Invacare Corporation.

[WWW.INVACARE.CA](http://WWW.INVACARE.CA)