



AADL Quantum® 1450

Synergy Seating
Order Form

Up To 600 lbs. Weight Capacity



*Please always use www.pridemobility.com to access the most current version of this form.

Date: _____

PO#: _____

Account Number: _____

Bill To: _____

Address: _____

Phone Contact: _____

Ship To: _____

Address: _____

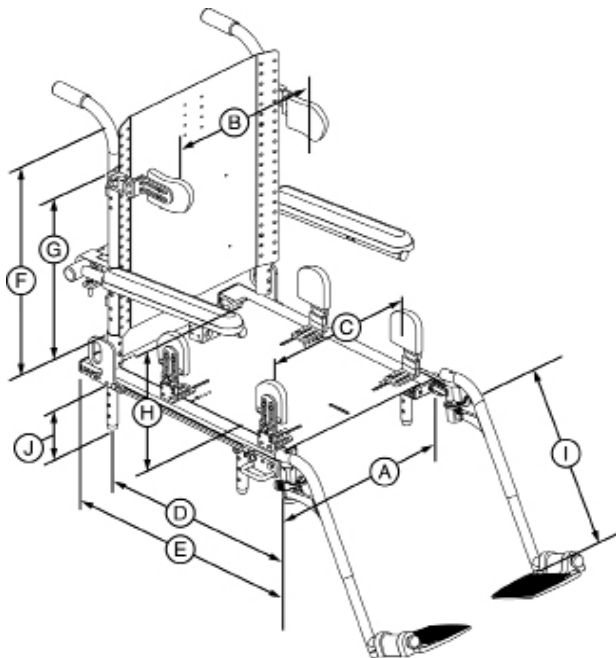
Marked For: _____

Discount: _____

Terms: _____

Freight: _____

SPECIFIED DIMENSIONS*



Please Supply Client Information:

Client Height: _____

Client Weight: _____

A. Seat Width: _____

B. Lateral Offset: _____

C. Hip/Thigh Lateral Offset: _____

D. Center of Gravity: Optimized based on seat dimensions

E. Seat Depth: _____

F. Back Height from Pan: _____

G. Lateral Height from Pan: _____

H. Armrest Height from Pan: _____

I. Rigging Length (whole numbers only): _____

J. Seat to Floor Height (circle one): _____

Seat	Seat-To-Floor Heights		
Synergy® Seating Frame	17.5"	18.5"	19.5"

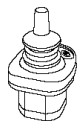
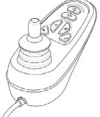
Seat to floor height are +/- 1/8" with 24"W x 24"D with Flat-Free tires.



Notes:

All prices are MSRP.

BASE MODEL		JOYSTICK HANDLES	
Description	Price	Description	Price
<input type="checkbox"/> Quantum 1450 <input type="checkbox"/> HD 300-450 lbs. Weight Capacity <input type="checkbox"/> VHD 450-600 lbs. Weight Capacity <i>Base not recommended for users below 300 lbs.</i>	\$11,920	<input type="checkbox"/> Standard Knob Std <input type="checkbox"/> Mushroom Handle \$55 <input type="checkbox"/> T-Bar \$90 <input type="checkbox"/> Chin Cup \$55 <input type="checkbox"/> Extended I-Handle \$55 <input type="checkbox"/> Soft Ball Handle \$55 <input type="checkbox"/> Medium Ball Handle \$55 <input type="checkbox"/> 3" Goal Post Handle \$55 <input type="checkbox"/> 4" Goal Post Handle \$55	
SHROUD COLOUR		JOYSTICK MOUNTING BRACKETS	
Metallic Colors: <input type="checkbox"/> Onyx Black <input type="checkbox"/> Viper Blue		<input type="checkbox"/> Fixed Inline <i>Not available with Stand Alone Joystick</i> Std <input type="checkbox"/> Left <input type="checkbox"/> Right <input type="checkbox"/> New Style Swing-away \$265 <input type="checkbox"/> Inline left <input type="checkbox"/> Inline right <input type="checkbox"/> Offset left <input type="checkbox"/> Offset right	
DRIVE WHEELS			
<input type="checkbox"/> 14" Flat Free Std			
BASE MOUNTED FOOT PLATFORM			
<input type="checkbox"/> Heavy Duty Foot Platform 17"W x 13"D Std <input type="checkbox"/> Heavy Duty Foot Platform 17"W x 16"D NC <input type="checkbox"/> No Base Mounted Foot Platform NC			
BATTERY CHARGER			
<input type="checkbox"/> 8 Amp, Off-board Charger Std			
NON-EXPANDABLE CONTROLS			
<input type="checkbox"/> 90 Amp VR2 6-Key Std			
EXPANDABLE CONTROLS		SYNERGY® SEATING SYSTEM	
<input type="checkbox"/> Q-Logic 2 EX Joystick \$620		<input type="checkbox"/> Synergy Seat \$1045	
		Seat Width: <input type="checkbox"/> 20" <input type="checkbox"/> 21" <input type="checkbox"/> 22" <input type="checkbox"/> 23" <input type="checkbox"/> 24" <input type="checkbox"/> 25" <input type="checkbox"/> 26" <input type="checkbox"/> 27" <input type="checkbox"/> 28" <input type="checkbox"/> 29" <input type="checkbox"/> 30" <input type="checkbox"/> 31" <input type="checkbox"/> 32"	
<input type="checkbox"/> Q-Logic 2 EX Joystick w/ Light \$620 <i>Required for LED Light Package</i>		Seat Width Package: <input type="checkbox"/> 20"W-24"W <input type="checkbox"/> 24"W-26"W <input type="checkbox"/> 26"W-28"W <input type="checkbox"/> 28"W-30"W <input type="checkbox"/> 30"W-32"W	
		Seat Depth: <input type="checkbox"/> 20" <input type="checkbox"/> 21" <input type="checkbox"/> 22" <input type="checkbox"/> 23" <input type="checkbox"/> 24" <input type="checkbox"/> 25" <input type="checkbox"/> 26" <input type="checkbox"/> 27" <input type="checkbox"/> 28"	
Q-Logic 2 EX Joystick Colour Shroud Option <input type="checkbox"/> Colour Match Base \$75		Seat Depth Package¹: <input type="checkbox"/> 20"D-24"D <input type="checkbox"/> 24"D-28"D	
<input type="checkbox"/> Q-Logic EX Stand Alone Joystick \$410		Back Cane Height: <input type="checkbox"/> 14" <input type="checkbox"/> 15" <input type="checkbox"/> 16" <input type="checkbox"/> 17" <input type="checkbox"/> 18" <input type="checkbox"/> 19" <input type="checkbox"/> 20" <input type="checkbox"/> 21" <input type="checkbox"/> 22" <input type="checkbox"/> 23" <input type="checkbox"/> 24" <input type="checkbox"/> 25"	
<input type="checkbox"/> Q-Logic 2 EX Enhanced Display Kit \$1,945 KIT125324 Includes: - Q-Logic 2 EX Enhanced Display - Flexible Gooseneck - Enhanced Display Mounting Bracket All mounting hardware is included in kit. See Specialty Electronics order form for additional mounting options and secondary controls. Bluetooth mouse emulator requires a run plug harness for either static or power seating. Additional fees will apply. Please use and attach the Specialty Electronics order form for additional controls and mounting options.		Back Rest Height: <input type="checkbox"/> 18" <input type="checkbox"/> 19" <input type="checkbox"/> 20" <input type="checkbox"/> 21" <input type="checkbox"/> 22" <input type="checkbox"/> 23" <input type="checkbox"/> 24" <input type="checkbox"/> 25"	
		1. Seat depth package supplied may differ from seat depth package requested due to additional options requested	
LED LIGHT PACKAGE		SYNERGY® BACK OPTIONS	
<input type="checkbox"/> Through Q-Logic 2 EX w/ Lights <i>Not covered by AADL</i> \$835		<input type="checkbox"/> Sling Back NC <input type="checkbox"/> Omit Back	



All prices are MSRP.

SYNERGY® BACK CANE OPTIONS **CENTER MOUNT FOOT PLATFORM**

Description	Price
<input type="checkbox"/> Standard Back Canes With Push Handles	Std
<input type="checkbox"/> No Push Handles	\$90
<input type="checkbox"/> Offset (Meso)	\$205
<input type="checkbox"/> 2" (1" Per Side) <input type="checkbox"/> 4" (2" Per Side)	
Dual Post Flip-back Armrests interfere with Meso canes.	
<input type="checkbox"/> Inset (Endo)	\$205
<input type="checkbox"/> 2" (1" Per Side) <input type="checkbox"/> 4" (2" Per Side)	

ARMRESTS

<input type="checkbox"/> Removable, Single Post, Height Adjustable, Heavy Duty	\$130ea
<input type="checkbox"/> 8"H-12"H <input type="checkbox"/> 10"H-14"H	
<input type="checkbox"/> Bariatric, Removable, Height Adjustable ¹	\$145ea
<input type="checkbox"/> 8"H-12"H <input type="checkbox"/> 10"H-14"H	
<input type="checkbox"/> Height Adjustable Cantilever Armrests	\$145ea
Angle Adjustable: -30° through +30°	
<input type="checkbox"/> 8"H-12"H <input type="checkbox"/> 10"H-14"H	

1. Requires Bariatric Armpads.

ARMPADS

<input type="checkbox"/> Straight, Full Length (2"x14")	Std
<input type="checkbox"/> Left <input type="checkbox"/> Right	
<input type="checkbox"/> Straight, Desk Length (2"x10")	NC
<input type="checkbox"/> Left <input type="checkbox"/> Right	
<input type="checkbox"/> Waterfall, Full Length (2"x1")	NC
<input type="checkbox"/> Left <input type="checkbox"/> Right	
<input type="checkbox"/> Waterfall, Desk Length (2"x10")	NC
<input type="checkbox"/> Left <input type="checkbox"/> Right	
<input type="checkbox"/> Flat Bariatric For use with Bariatric arm rests only	\$40ea

STEALTH HEADRESTS (Standard Stealth Pricing Applies)

Headrest Pads:

<input type="checkbox"/> Stealth 10" Comfort Plus CP250	\$190
<input type="checkbox"/> Stealth 14" Comfort Plus CP150	\$190
<input type="checkbox"/> Stealth Small Contoured (9.75"W x 3"H) OTSM250	\$80
<input type="checkbox"/> Stealth Large Contoured (11"W x 6"H) OTLG150	\$100
<input type="checkbox"/> Omit Headrest	

Headrest Mounts:

<input type="checkbox"/> Multi-Axis Hardware HMO475	\$200
<input type="checkbox"/> Linking Hardware TWB485	\$255
<input type="checkbox"/> No Hardware	

FRONT RIGGINGS

<input type="checkbox"/> Heavy Duty Drop-In Legrests ¹	\$445
<input type="checkbox"/> Heavy Duty Elevating Legrests	\$550
<input type="checkbox"/> Angle Adjustable Footplates ²	Std
Extension Length:	
<input type="checkbox"/> 12"-14.5" <input type="checkbox"/> 14.5" -18"	
Footplate Size:	
<input type="checkbox"/> 4" x 6" <input type="checkbox"/> 5" x 6" <input type="checkbox"/> 5" x 8"	
<input type="checkbox"/> 6" x 8" ³ <input type="checkbox"/> 6" x 11" ³ <input type="checkbox"/> 8" x 11" ⁴	

1. Extension length is measured from the seatpan to the footplate.
2. Angle Adjustable Footplates come standard with heel loops.

Description	Price	
<input type="checkbox"/> Center Mount Articulating Foot Platform <i>Not covered by AADL</i>	\$3,145	
<input type="checkbox"/> Adjustable Center Mount Foot Platform	\$790	
Extensions:		
<input type="checkbox"/> 10-16"L		
<input type="checkbox"/> 13-19"L		
Footplates:		
<input type="checkbox"/> 5"W x 6"D		
<input type="checkbox"/> 5"W x 8"D		
<input type="checkbox"/> 5"W x 11"D		
Set Legrest Length:		
LL85 <input type="checkbox"/> 8.5"H	LL9 <input type="checkbox"/> 9"H	LL95 <input type="checkbox"/> 9.5"H
LL10 <input type="checkbox"/> 10"H	LL135 <input type="checkbox"/> 13.5"H	LL165 <input type="checkbox"/> 16.5"H
LL105 <input type="checkbox"/> 10.5"H	LL14 <input type="checkbox"/> 14"H	LL17 <input type="checkbox"/> 17"H
LL11 <input type="checkbox"/> 11"H	LL145 <input type="checkbox"/> 14.5"H	LL175 <input type="checkbox"/> 17.5"H
LL115 <input type="checkbox"/> 11.5"H	LL15 <input type="checkbox"/> 15"H	LL18 <input type="checkbox"/> 18"H
LL12 <input type="checkbox"/> 12"H	LL155 <input type="checkbox"/> 15.5"H	LL185 <input type="checkbox"/> 18.5"H
LL125 <input type="checkbox"/> 12.5"H	LL16 <input type="checkbox"/> 16"H	LL19 <input type="checkbox"/> 19"H
LL13 <input type="checkbox"/> 13"H		
Calf Supports:		
<input type="checkbox"/> Calf Pads (pair) ¹		
<input type="checkbox"/> Small (6"H x 6"W)	\$210	
<input type="checkbox"/> Large (8"H x 8"W, tapered to 6"W)	\$210	
<input type="checkbox"/> Calf Panel (ea.)		
<input type="checkbox"/> Small (8"H x 18"W)	\$210	
<input type="checkbox"/> Large (8"H x 24"W) ²	\$265	
Calf Support Covers (1/2" Soft Visco Foam):		
<input type="checkbox"/> Air Mesh	\$150	
<input type="checkbox"/> Reversed Dartex	\$150	
Optional Extensions & Accessories:		
<input type="checkbox"/> 4" Width Extension Kit ³	\$55	
<input type="checkbox"/> 2" Bell Shaped, Length Extension Kit ⁴	\$55	
<input type="checkbox"/> Footplate Outside Edge Side Guards	\$55	
<input type="checkbox"/> 4"D ⁵ <input type="checkbox"/> 6"D ⁵		
<input type="checkbox"/> Footplate Connector	\$55	
<input type="checkbox"/> Wheel Bumpers	\$30	

1. Standard with Articulating Foot Platform
2. Only available on 20"W or greater.
3. Not available with 5"W x 6"D Footplates
4. Not available with 4" Width Extension Kit
5. Not available with 5"W x 11"D Footplates

Center Mount Articulating Foot Platform Compatibility Matrix

	TRU-Balance®3 Recline			TRU-Balance®3 Tilt			TRU-Balance®3 Lift		
	Low	Medium	High	Low	Medium	High	Low	Medium	High
	10"-16" Extension	!	!	!	!	!	!	!	!
13"-19" Extension	!	!	!	!	!	!	!	!	!

- This rigging configuration causes no interference issues at this seat-to-floor height.
- This rigging configuration may interfere with the ground (less than 1.75" clearance when fully extended) and will reduce obstacle climbing ability.
- This rigging configuration does not work with this seat-to-floor height.

All prices are MSRP.

BATTERY OPTIONS

Description	Price
<input type="checkbox"/> Group 24, 70 Amp, Gel <i>Installation:</i>	\$415 ea.
<input type="checkbox"/> Batteries Installed <input type="checkbox"/> Do Not Install	

POWER POSITIONING ELECTRONICS**Single Actuator Electronics** *For use with 1 actuator*

<input type="checkbox"/> Through Toggle Box (<i>Tilt Only</i>) Includes toggle and harness	NC
<input type="checkbox"/> Left Mount <input type="checkbox"/> Right Mount	
<input type="checkbox"/> Through Single Switch ¹	NC
<i>(Includes high current limit box) (Tilt only w/ Q-Logic 2 EX)</i>	
<input type="checkbox"/> Through VR2 ² (<i>Includes AM1</i>)	NC
<input type="checkbox"/> Through Q-Logic 2 EX Hand Control ³ (<i>Includes AAM</i>)	\$345

1. Single switch not included. See specialty control order form for a list of available options.
2. VR2 must be selected as drive device.
3. Q-Logic EX 2 hand control must be selected.

ACCESSORIES *Not covered by AADL*

<input type="checkbox"/> Rear Basket ¹	\$160
<input type="checkbox"/> Cane/Crutch Holder ¹	\$160
<input type="checkbox"/> Weather Cover, Medium, Black	\$240
<input type="checkbox"/> Cup Holder	\$35
<i>Side:</i>	
<input type="checkbox"/> Left <input type="checkbox"/> Right	
<input type="checkbox"/> Saddle Bag	\$30
<input type="checkbox"/> Flag Holder	\$35
<input type="checkbox"/> Quantum Backpack ²	\$65
<input type="checkbox"/> Oxygen Holder <i>Contoured Seating</i>	\$90
<input type="checkbox"/> Oxygen Holder <i>Synergy Seating</i>	\$90
<input type="checkbox"/> Walker Holder ²	\$130
<input type="checkbox"/> Tablet Holder ³	\$415
<input type="checkbox"/> Deluxe Cell Phone/Media Holder ³	\$185
<input type="checkbox"/> Transfer Bar, Pair (Quick release) ⁴	\$305

1. Includes mounting hardware.
2. Backpack may interfere w/ other rear accessories. Not available w/ contoured seating.
3. Available with Synergy armrests only.
4. Only available on Synergy Seat

LAP BELTS

<input type="checkbox"/> 60" Lap Belt	NC
<input type="checkbox"/> 70" Lap Belt	Std
<input type="checkbox"/> 80" Lap Belt	NC
<input type="checkbox"/> 90" Lap Belt	NC