



QUANTUM REHAB®

MEDmobility

5711- Calgary Trail NW
Edmonton AB T6H 2K1
P: 780-437-3300
F: 780-430-9381
www.medmobility.ca

FOR AADL USE ONLY

Quantum Rehab®

A Division of Pride Mobility Products Corporation®

5096 South Service Rd.
Beamsville, Ontario, L0R 1B3

AADL J6 Order Form
300 lbs. weight capacity



Date: _____

PO#: _____

Account Number: _____

Bill To: _____

Address: _____

Phone Contact: _____

Ship To: _____

Address: _____

Marked For: _____

Discount: _____

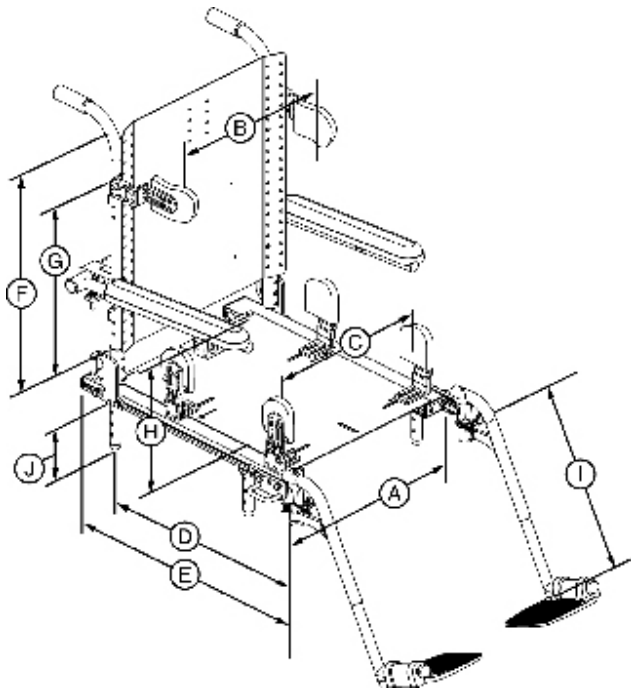
Terms: _____

Freight: _____

* Please always use the www.pridemobility.com to access the most current version of this form.

SPECIFIED DIMENSIONS*

Please supply patient information for optimal setup prior to shipping.



Client Height: _____

Client Weight: _____

A. Seat Width: _____

B. Lateral Offset: _____

C. Hip/Thigh Lateral Offset: _____

D. Center of Gravity: *Optimized based on seat dimensions*

E. Seat Depth: _____

F. Back Height from Pan: _____

G. Lateral Height from Pan: _____

H. Armrest Height from Pan: _____

I. Rigging Length (whole numbers only): _____


J. Seat to Floor Height: _____

Clinician Notes: _____



* While every effort will be taken to ensure items will be preset to your specifications prior to shipping, variations in options may effect final settings.

All prices are MSRP.

BASE MODEL		EXPANDABLE CONTROLS ⁵	
Description	Price	Description	Price
<input type="checkbox"/> J6	\$4,510	<input type="checkbox"/> Q-Logic 2 EX Joystick 	\$620
COLOR		<input type="checkbox"/> Q-Logic 2 EX Joystick for Lights <i>Required For LED Light Package</i> 	\$620
<input type="checkbox"/> Jazzy Red		<input type="checkbox"/> Q-Logic 2 EX Stand Alone Joystick 	\$410
<input type="checkbox"/> Jazzy Blue		<input type="checkbox"/> Q-Logic 2 EX Enhanced Display Kit ^{2,3,4} KIT137987 	\$1,945
DRIVE WHEELS		Includes: - Q-Logic 2 EX Enhanced Display - Flexible Gooseneck - Enhanced Display Mounting Bracket	
<input type="checkbox"/> 10" Solid (pair)	Std	All mounting hardware is included in kit. See Specialty Electronics order form for additional mounting options and secondary controls. Bluetooth mouse emulator requires a run plug harness for either static or power seating. Additional fees will apply.	
<input type="checkbox"/> 10" Pneumatic (pair)	NC	Please use and attach the Specialty Electronics order form for additional controls and mounting options.	
BASE MOUNTED FOOT PLATFORM		JOYSTICK HANDLES	
<input type="checkbox"/> Base Mounted Foot Platform	Std	<input type="checkbox"/> Standard Knob	Std
<input type="checkbox"/> No Base Mounted Front Platform	NC	<input type="checkbox"/> Mushroom Handle	\$55
POWER ELEVATING SEAT¹ (Not covered by AADL)		<input type="checkbox"/> T-Bar	\$90
<input type="checkbox"/> Power Elevating Seat Through VSI 6-Key ¹ 	\$840	<input type="checkbox"/> Chin Cup	\$55
BATTERY CHARGER		<input type="checkbox"/> Extended I-Handle	\$55
<input type="checkbox"/> 5 Amp Offboard	Std	<input type="checkbox"/> Soft Ball Handle	\$55
LED LIGHT PACKAGE⁵		<input type="checkbox"/> Medium Ball Handle	\$55
<input type="checkbox"/> Through Q-Logic 2 EX w/ Lights <i>Option is not covered by AADL</i>	\$835	<input type="checkbox"/> 3" Goal Post Handle	\$55
NON-EXPANDABLE CONTROLS⁵		<input type="checkbox"/> 4" Goal Post Handle	\$55
<input type="checkbox"/> 75 Amp NE+ 6-Key 	Std.	JOYSTICK MOUNTING BRACKETS	
FOOTNOTES		<input type="checkbox"/> Fixed Inline N/A with Stand Alone Joystick	Std
1. Only Available with VSI 6-Key Joystick. Not available with Manual Recliner, Synergy Manual Tilt, Synergy Manual Recline, Vent Tray, TB Tilt or Power Positioning Components. Includes 1/4 Speed Inhibit. Raises Seat-To-Floor Height.		<input type="checkbox"/> Swing-away <input type="checkbox"/> Left <input type="checkbox"/> Right	\$265
2. All mounting hardware is included in kit.		<input type="checkbox"/> Multi-axis Fixed <input type="checkbox"/> Left <input type="checkbox"/> Right	\$210
3. See Specialty Electronics order form for additional mounting options and secondary controls.		<i>(Fixed configuration. Does not swing away)</i>	
4. Bluetooth mouse emulator requires a run plug harness for either static or power seating. Additional fees will apply.			
5. Not available with Power Elevating Seat.			

SYNERGY® SEATING SYSTEMS

Description	Price
<input type="checkbox"/> Synergy Seating Frame	\$1,045
<input type="checkbox"/> Standard Stem Mounts	
<input type="checkbox"/> Synergy Manual Recline Package ^{6,7}	\$660
<i>Standard with 25" back cane and clamp on push bar.</i>	
<input type="checkbox"/> TRU-Balance® Power Tilt ⁷	\$6,295
<i>(55°) degree center of gravity (CG) power tilt seating system. 250 lbs weight capacity. For use with Synergy Seat only. Seat frame included in price.</i>	

Seat Width:			
<input type="checkbox"/> 10"	<input type="checkbox"/> 11"	<input type="checkbox"/> 12"	<input type="checkbox"/> 13"
<input type="checkbox"/> 14"	<input type="checkbox"/> 15"	<input type="checkbox"/> 16"	<input type="checkbox"/> 17"
<input type="checkbox"/> 18"	<input type="checkbox"/> 19"	<input type="checkbox"/> 20"	
Seat Width Package:			
<input type="checkbox"/> 10"W-14"W	<input type="checkbox"/> 14"W-18"W	<input type="checkbox"/> 16"W-20"W	
Seat Depth:			
<input type="checkbox"/> 10"	<input type="checkbox"/> 11"	<input type="checkbox"/> 12"	<input type="checkbox"/> 13"
<input type="checkbox"/> 14"	<input type="checkbox"/> 15"	<input type="checkbox"/> 16"	<input type="checkbox"/> 17"
<input type="checkbox"/> 18"	<input type="checkbox"/> 19"	<input type="checkbox"/> 20"	
Seat Depth Package:			
<input type="checkbox"/> 10"D-14"D	<input type="checkbox"/> 14"D-18"D	<input type="checkbox"/> 16"D-20"D	
Back Cane Height:			
<input type="checkbox"/> 14"	<input type="checkbox"/> 15"	<input type="checkbox"/> 16"	<input type="checkbox"/> 17"
<input type="checkbox"/> 18"	<input type="checkbox"/> 19"	<input type="checkbox"/> 20"	<input type="checkbox"/> 21"
<input type="checkbox"/> 22"	<input type="checkbox"/> 23"	<input type="checkbox"/> 24"	<input type="checkbox"/> 25"
Back Rest Height:			
<input type="checkbox"/> 18"	<input type="checkbox"/> 19"	<input type="checkbox"/> 20"	<input type="checkbox"/> 21"
<input type="checkbox"/> 22"	<input type="checkbox"/> 23"	<input type="checkbox"/> 24"	<input type="checkbox"/> 25"

SYNERGY® BACK CANE OPTIONS

<input type="checkbox"/> Standard Back Canes	Standard
<input type="checkbox"/> Omit Push Handles	\$90
<input type="checkbox"/> Flip Forward Canes ⁸	\$160
<input type="checkbox"/> Omit Push Handles	\$90
<input type="checkbox"/> Offset (Meso) ⁹	\$205
<input type="checkbox"/> 2" (1" Per Side)	<input type="checkbox"/> 4" (2" Per Side)
<input type="checkbox"/> Inset (Endo) ⁹	\$205
<input type="checkbox"/> 2" (1" Per Side)	<input type="checkbox"/> 4" (2" Per Side)

SYNERGY® BACK OPTIONS

<input type="checkbox"/> Sling Back	\$145
<input type="checkbox"/> Omit Back	NC

ARMRESTS for Synergy seat only

<input type="checkbox"/> Flip-back, Cane Mounted ¹	Std
<input type="checkbox"/> 2-post, Flip-back, Height-adjustable, Removable ²	\$145ea
<i>(9"-13" of height adjustment in 1" increments)</i>	
<input type="checkbox"/> Single-post, Height-adjustable, Removable ³	\$130ea
<input type="checkbox"/> Quad Release Lever	
<input type="checkbox"/> Removable, Single-post, Height Adjustable, Heavy Duty	\$130ea
<input type="checkbox"/> 8"H - 12"H	<input type="checkbox"/> 10"H-14"H
<input type="checkbox"/> Pediatric, Removable ⁴	\$130ea
Color: <input type="checkbox"/> Match Shroud	<input type="checkbox"/> Black
<input type="checkbox"/> Quad Release Lever	
<i>(7 3/4" - 9 3/4" height adjustment in 1/2" increments from seat pan to top of armrest)</i>	
<input type="checkbox"/> Height-adjustable Cantilever Armrests ⁵	\$145ea
<i>Angle-Adjustable: - 30° through + 30°</i>	

ARMPADS

<input type="checkbox"/> Straight, Full Length (2"x14")	Std
<input type="checkbox"/> Left	<input type="checkbox"/> Right
<input type="checkbox"/> Straight, Desk Length (2"x10")	NC
<input type="checkbox"/> Left	<input type="checkbox"/> Right
<input type="checkbox"/> Waterfall, Full Length (2"x14") ⁶	NC
<input type="checkbox"/> Left	<input type="checkbox"/> Right
<input type="checkbox"/> Waterfall, Desk Length (2"x14") ⁶	NC
<input type="checkbox"/> Left	<input type="checkbox"/> Right

FOOTNOTES

- Available only on seats 20"W
- Causes interference on seat widths less than 18"

LEGRESTS

Description	Price
<input type="checkbox"/> Angle Adjustable Swing-away Legrests ¹¹	\$285
<i>Range of Adjustment is 60-90 degrees</i>	
<input type="checkbox"/> Standard Extruded Footplates	Std
Extensions:	
<input type="checkbox"/> 11"-13"	<input type="checkbox"/> 13"-16.5"
<input type="checkbox"/> 15.5"-19.5"	
Footplates:	
<input type="checkbox"/> 7.25" x 6"	<input type="checkbox"/> 8.5" x 6"
<input type="checkbox"/> Angle Adjustable Footplates ¹⁰	\$175
Extension:	
<input type="checkbox"/> 12"-14.5"	<input type="checkbox"/> 14.5" -18"
Footplate:	
<input type="checkbox"/> 4" x 6"	<input type="checkbox"/> 5" x 6"
<input type="checkbox"/> 5" x 8"	<input type="checkbox"/> 6" x 8" ¹³
<input type="checkbox"/> 6" x 11" ¹³	<input type="checkbox"/> 8" x 11" ¹²
<input type="checkbox"/> Multi-Axis Footplates ¹⁰	\$520
Extension:	
<input type="checkbox"/> 12"-14.5"	<input type="checkbox"/> 14.5" -18"
Footplate:	
<input type="checkbox"/> 4" x 6"	<input type="checkbox"/> 5" x 6"
<input type="checkbox"/> 5" x 8"	<input type="checkbox"/> 6" x 8" ¹³
<input type="checkbox"/> 6" x 11" ¹³	<input type="checkbox"/> 8" x 11" ¹²
<input type="checkbox"/> Heavy Duty Drop-In Legrests	\$445
<input type="checkbox"/> Angle Adjustable Footplates	Std
Extension Length:	
<input type="checkbox"/> 12"-14.5"	<input type="checkbox"/> 14.5" -18"
Footplate Size:	
<input type="checkbox"/> 4" x 6"	<input type="checkbox"/> 5" x 6"
<input type="checkbox"/> 5" x 8"	<input type="checkbox"/> 6" x 8" ¹³
<input type="checkbox"/> 6" x 11" ¹³	<input type="checkbox"/> 8" x 11" ¹²
<input type="checkbox"/> Elevating Legrests ¹¹	\$550
<input type="checkbox"/> Standard Footplates	Std
Extension Length:	
<input type="checkbox"/> 11"-14"	<input type="checkbox"/> 14"-17"
Footplate Size:	
<input type="checkbox"/> 7.25" x 6"	<input type="checkbox"/> 8.5" x 6"
<input type="checkbox"/> Angle Adjustable Footplates	\$175
Extension Length:	
<input type="checkbox"/> 12"-14.5"	<input type="checkbox"/> 14.5" -18"
Footplate Size:	
<input type="checkbox"/> 4" x 6"	<input type="checkbox"/> 5" x 6"
<input type="checkbox"/> 5" x 8"	<input type="checkbox"/> 6" x 8" ¹³
<input type="checkbox"/> 6" x 11" ¹³	<input type="checkbox"/> 8" x 11" ¹²
<input type="checkbox"/> Pediatric Swing-Away Legrests ¹¹	\$285
<input type="checkbox"/> Angle Adjustable Footplates	\$175
Extension Length:	
<input type="checkbox"/> 7"-10"	
Footplate Size:	
<input type="checkbox"/> 4" x 6"	<input type="checkbox"/> 5" x 6"

FOOTNOTES

- Includes black vinyl seatpan. Back available in listed colors.
- Call for configuration options with Shape Back. Flip-up arms may interfere with swing-away laterals.
- N/A w/ waterfall arm pads.
- Adjustable from 11" to 17" in .5" increments
- Not available with Flip Back Arms, Cantilever Arms, Shape Back. Requires 22" back canes. Pivot point 2.5" above seat pan.
- Not available with Power Elevating Seat.
- Not available with Synergy Manual Recline, Vent Tray, Bariatric Arm pads, Sling back or Flip-up cane mounted armrests. Tru-Comfort required SOF.
- Dual Post flip-back arms interfere with Meso canes.
- N/A w/ seat depths less than 15". N/A w/ waterfall arm pads.
- Extensions are measured from top of seat pan to footplate

ADJUSTABLE CENTER MOUNT FOOT PLATFORM

FRONT RIGGING ACCESSORIES

Description	Price
<input type="checkbox"/> 10"W-20"W Adjustable Center Mount Foot Platform	\$580
<i>Extensions:</i>	
<input type="checkbox"/> 8-12"L Pediatric	
<input type="checkbox"/> 10-16"L	
<input type="checkbox"/> 13-19"L	
<i>Footplates:</i>	
<input type="checkbox"/> 5"W x 6"D	
<input type="checkbox"/> 5"W x 8"D	
<input type="checkbox"/> 5"W x 11"D ¹	
<i>Set Legrest Length:</i>	
LL85 <input type="checkbox"/> 8.5"H	LL9 <input type="checkbox"/> 9"H
LL10 <input type="checkbox"/> 10"H	LL135 <input type="checkbox"/> 13.5"H
LL105 <input type="checkbox"/> 10.5"H	LL14 <input type="checkbox"/> 14"H
LL11 <input type="checkbox"/> 11"H	LL145 <input type="checkbox"/> 14.5"H
LL115 <input type="checkbox"/> 11.5"H	LL15 <input type="checkbox"/> 15"H
LL12 <input type="checkbox"/> 12"H	LL155 <input type="checkbox"/> 15.5"H
LL125 <input type="checkbox"/> 12.5"H	LL16 <input type="checkbox"/> 16"H
LL13 <input type="checkbox"/> 13"H	LL19 <input type="checkbox"/> 19"H
LL95 <input type="checkbox"/> 9.5"H	LL165 <input type="checkbox"/> 16.5"H
LL17 <input type="checkbox"/> 17"H	LL175 <input type="checkbox"/> 17.5"H
LL18 <input type="checkbox"/> 18"H	LL185 <input type="checkbox"/> 18.5"H
<i>Calf Supports:</i>	
<input type="checkbox"/> Calf Pads (pair)	
<input type="checkbox"/> Small (6"H x 6"W)	\$210
<input type="checkbox"/> Large (8"H x 8"W, tapered to 6"W)	\$210
<input type="checkbox"/> Calf Panel (ea.)	
<input type="checkbox"/> Small (8"H x 18"W)	\$210
<input type="checkbox"/> Large (8"H x 24"W) ²	\$265
<i>Calf Support Covers (1/2" Soft Visco Foam):</i>	
<input type="checkbox"/> Air Mesh	\$150
<input type="checkbox"/> Reversed Dartex	\$150
<i>Optional Extensions & Accessories:</i>	
<input type="checkbox"/> 4" Width Extension Kit ³	\$55
<input type="checkbox"/> 2" Bell Shaped, Length Extension Kit ⁴	\$55
<input type="checkbox"/> Footplate Outside Edge Side Guards	\$55
<input type="checkbox"/> 4"D ⁵ <input type="checkbox"/> 6"D ³	
<input type="checkbox"/> Footplate Connector	\$55
<input type="checkbox"/> Wheel Bumpers	\$30

1. Not available with 8-12"L Pediatric lower extension
 2. Only available on 20"W or greater.
 3. Not available with 5"W x 6"D Footplates
 4. Not available with 4" Width Extension Kit
 5. Not available with 5"W x 11"D Footplates

POWER POSITIONING ELECTRONICS⁸

Single Actuator Electronics	
<input type="checkbox"/> Through Toggle Box (<i>Tilt Only</i>)	NC
<input type="checkbox"/> Left Mount <input type="checkbox"/> Right Mount	
<input type="checkbox"/> Through NE+ 6-Key	NC
<input type="checkbox"/> Through Q-Logic EX Controller	\$345
Dual Actuator Electronics	
<input type="checkbox"/> Through NE+ 6-Key Controller	NC
Multiple Actuator Electronics	
<input type="checkbox"/> Through Q-Logic EX Controller	\$345
<input type="checkbox"/> Q-Logic EX Through 4-way Toggle	\$660
<input type="checkbox"/> Left Mount <input type="checkbox"/> Right Mount	
<input type="checkbox"/> Q-Logic EX Through 4-way Button Toggle	\$660
<input type="checkbox"/> Left Mount <input type="checkbox"/> Right Mount	
<input type="checkbox"/> Q-Logic EX Through Quad Push-button	\$660
<input type="checkbox"/> Left Mount <input type="checkbox"/> Right Mount	

Description	Price
<input type="checkbox"/> Wheel Bumpers	\$25
<input type="checkbox"/> Heel Loops (pair) ²	\$30

ACCESSORIES

<input type="checkbox"/> Rear Basket ⁶ <i>Not covered by AADL</i>	\$130
<input type="checkbox"/> Cane/Crutch Holder ⁶ <i>Not covered by AADL</i>	\$130
<input type="checkbox"/> Oxygen Holder <i>Contoured Seating⁶</i>	\$90
<input type="checkbox"/> Oxygen Holder <i>Synergy Seat⁵</i>	\$90
<input type="checkbox"/> Walker Holder ⁶ <i>Not covered by AADL</i>	\$130
<input type="checkbox"/> Flag Holder <i>Not covered by AADL</i>	\$35
<input type="checkbox"/> Stroller Handle <i>Manual Tilt Only Not covered by AADL</i>	\$90
<input type="checkbox"/> Weather Cover, Medium, Black <i>Not covered by AADL</i>	\$240
<input type="checkbox"/> Cup Holder <i>Not covered by AADL</i>	\$35
<input type="checkbox"/> Left <input type="checkbox"/> Right	
<input type="checkbox"/> Saddle Bag <i>Not covered by AADL</i>	\$30
<input type="checkbox"/> Quantum Back Pack ⁷ <i>Not covered by AADL</i>	\$65

LAP BELTS

<input type="checkbox"/> 38" Lap Belt	NC
<input type="checkbox"/> 50" Lap Belt	Std
<input type="checkbox"/> 60" Lap Belt	NC
<input type="checkbox"/> 70" Lap Belt	NC
<input type="checkbox"/> 80" Lap Belt	NC
<input type="checkbox"/> 90" Lap Belt	NC

BATTERIES

<input type="checkbox"/> U-1, 32 Amp, Gel	\$190 ea
---	----------

LOWEST SEAT-TO-FLOOR HEIGHTS³

Seating	Lowest Seat-To-Floor
Synergy Seat	16.625"
TB Tilt	16.875"