



MEDmobility

5711- Calgary Trail NW
 Edmonton AB T6H 2K1
 P: 780-437-3300
 F: 780-430-9381
 www.medmobility.ca

Zippie GS
 November 2016

Not all options are covered by AADL, please confirm with AADL vendor.

AADL#W138 Revised Dec 1/2017.

Date: _____

Dealer Acct #: _____

Dealer: _____

Dealer Contact: _____

Dealer Address: _____

Dealer City: _____ PR: _____ PC: _____

Dealer Phone: () _____ Fax: () _____

Confirm Via: Fax Email

SUBMITTING FOR: Quote Order

PO#: _____

Ship To: _____

Attention: _____

Address: _____

Address: _____

Ship To City: _____ PR: _____ PC: _____

Ship To Phone: () _____ Fax: () _____

Mark For: _____

✓	Option #	Definition	Price	✓	Option #	Definition	Price
---	----------	------------	-------	---	----------	------------	-------

ZIPPIE GS

1. FRAME

All Zippie GS models grow in width and depth.

<input type="checkbox"/>	087WM70	Folding Growing Zippie GS Transit Included Includes True Fit Growth	\$2,784.00	<input type="checkbox"/>	087WM72	Folding Growing Zippie GS Transit Optional Includes True Fit Growth	\$2,784.00
<input type="checkbox"/>	087WM71	Rigid Growing Zippie GS Transit Included Includes True Fit Growth	\$2,784.00	<input type="checkbox"/>	087WM73	Rigid Growing Zippie GS Transit Optional Includes True Fit Growth	\$2,784.00

Frame Options							
<input type="checkbox"/>	087FC4	Reverse Configuration (NA w/ Swing-Away hangers non-rem. in reverse config.; lift off hangers recommended.	NC	<input type="checkbox"/>	087FC3	Standard Configuration	NC

2. TRANSIT SYSTEM (For use when Transit optional is chosen above)

Tie Down Requires: Solid Seat and Solid Back or, Growing Seat Pan and Jay Fit or Conventional Back or, Growing Seat Pan and Solid Back or, Jay Fit and/or Conventional Seat & Back

<input type="checkbox"/>	087TO19	Transit Optional Std. Seating (Req. Selection of Seat & Back)	NC	<input type="checkbox"/>	087TO13	Transit Optional w/o Seating	NC
				<input type="checkbox"/>	087TO15	Transit Omit	NC

2. SIZE/SEATING

Frame Width			
<i>Height Adjustable Arms NA with 10"-13" Frame Widths</i>			
<input type="checkbox"/>	087BW4	Small Cross Brace	NC
<input type="checkbox"/>	10" □ 11" □ 12"		
<input type="checkbox"/>	087BW5	Medium Cross Brace	NC
<input type="checkbox"/>	12" □ 13" □ 14"		
<input type="checkbox"/>	087BW6	Large Cross Brace	NC
<input type="checkbox"/>	14" □ 15" □ 16"		
<input type="checkbox"/>	087BW7	X-Large Cross Brace	\$79.00
<input type="checkbox"/>	16" □ 17" □ 18"		

Frame Depth and Back Post Location			
<input type="checkbox"/>	087FL3	Short Frame	NC
<input type="checkbox"/>	10" □ 11" □ 12" □ 13" □ 14"		
<input type="checkbox"/>	087FL9	Regular Frame	NC
<input type="checkbox"/>	12" □ 13" □ 14" □ 15" □ 16"		
<input type="checkbox"/>	087FL18	Long Frame	NC
<input type="checkbox"/>	14" □ 15" □ 16" □ 17" □ 18"		
<input type="checkbox"/>	087FL25	X-Long Frame	\$121.00
<input type="checkbox"/>	16" □ 17" □ 18" □ 19" □ 20" (20" use HCPCS: E2203)		



Mark For:

✓	Option #	Definition	Price	✓	Option #	Definition	Price
---	----------	------------	-------	---	----------	------------	-------

2. SIZE/SEATING CONT.

Seats

<input type="checkbox"/>	087ST55	Solid Seat (Req. Solid Back) Not avail. w/ 10-11, 19-20 inch frame depth or 17-18 inch frame width.	\$278.00
<input type="checkbox"/>	087PN3	Growing Seat Pan Depth (Fig. 1)	\$242.00
<input type="checkbox"/>	087ST27	Omit Seat	STD

JAY Cushions (Optional)

To order any JAY cushions on-chair, please see the JAY price list. Cushion name or part number must be filled out with desired width and depth.

<input type="checkbox"/>	087JC20	JAY Bundled Cushion	Price List
		Name / Part #	
		Width: _____ Depth: _____	

REFERENCE ONLY

Seat Depth Pan Size	Depth Range	
	Minimum	Maximum
Short 10"-12"	10"	14"
Medium 13"-14"	11 3/4"	16 1/4"
Long 15"-17"	13 3/4"	18 1/4"
X-Long 18"-20"	15 3/4"	20 1/4"

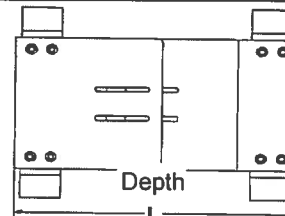


Figure 7.1 - Frame Depth Growth Range Matrix

3. CASTERS/SEAT HEIGHT

Caster Wheel

<input type="checkbox"/>	087CW30	3" Micro Light Up	\$63.00
<input type="checkbox"/>	087CW31	4" Micro Light Up	\$95.00
<input type="checkbox"/>	087CW51	5" Micro Light Up	\$95.00
<input type="checkbox"/>	087CW5	5" Low-Profile Polyurethane	STD
<input type="checkbox"/>	087CW7	5" x 1.5" Semi-Pneumatic	\$95.00
<input type="checkbox"/>	087CW33	6" Pneumatic	\$95.00
<input type="checkbox"/>	087CW34	6" Polyurethane	NC
<input type="checkbox"/>	087CW35	6" x 1.5" Semi-Pneumatic	\$95.00
<input type="checkbox"/>	087CW21	8" Pneumatic	\$126.00
<input type="checkbox"/>	087CW32	8" Polyurethane	NC
<input type="checkbox"/>	087CW39	8" x 1.5" Semi-Pneumatic	\$126.00
<input type="checkbox"/>	087CW36	8" x 2" Pneumatic	\$215.00
<input type="checkbox"/>	087CW37	8" x 2" Pneumatic w/Airless Insert	\$342.00

Caster Options

<input type="checkbox"/>	087CS5	3/4" Longer Fork Stem Bolt	NC
<input type="checkbox"/>	087CS9	1 1/2" Longer Fork Stem Bolt	NC
<input type="checkbox"/>	087CS3	Caster Pin Locks (Not avail. with 8" x 2" casters or Transit Opt.)	\$132.00
<input type="checkbox"/>	087CW38	Omit Caster, Wheels & Tires	NC

4. REAR WHEELS/SEAT HEIGHT

Axle Plate

<input type="checkbox"/>	087AL17	One Arm Drive (Avail w/ 20", 22", 24" Mag Rear Wheels & 13"-18" wide)	\$1,203.00
<input type="checkbox"/>	087OA2	Standard Handrim	NC
<input type="checkbox"/>	087HM1	Right	NC
<input type="checkbox"/>	087HM2	Left	NC
<input type="checkbox"/>	087OA1	Small Handrim	NC
<input type="checkbox"/>	087HM1	Right	NC
<input type="checkbox"/>	087HM2	Left	NC

Axle

<input type="checkbox"/>	087AX26	One Arm Drive Axle (Only avail. w/One Arm Drive Option)	\$105.00
<input type="checkbox"/>	087AX1	Quick Release	NC
<input type="checkbox"/>	087AX11	Quad Quick Release (not available with Lite Spokes)	\$158.00

Mark For:

✓	Option #	Definition	Price	✓	Option #	Definition	Price
---	----------	------------	-------	---	----------	------------	-------

4. REAR WHEELS/SEAT HEIGHT CONT.

Rear Wheel Size

<input type="checkbox"/>	087RW48	12" Mag (Not available with handrims)	\$41.00
<input type="checkbox"/>	087RW14	16" Mag (Not available with handrims)	NC
<input type="checkbox"/>	087RW3	20" Mag	NC
<input type="checkbox"/>	087RW8	22" Mag	NC
<input type="checkbox"/>	087RW1	24" Mag	NC
<input type="checkbox"/>	087RW12	18" Spoke	\$142.00
<input type="checkbox"/>	087RW74	20" Lite Spoke	NC
<input type="checkbox"/>	087RW75	22" Lite Spoke	NC
<input type="checkbox"/>	087RW54	24" Lite Spoke	\$278.00
<input type="checkbox"/>	087RW25	Omit Rear Wheel & Axle	-\$42.00

Handrim

<input type="checkbox"/>	087HR1	Aluminum Anodized	NC
<input type="checkbox"/>	087HR4	Plastic Coated	\$126.00
<input type="checkbox"/>	087HR7	Omit (Not available with wheel/axle credit)	-\$12.00

Projections (Not Available on Plastic Coated)

**Only available with 24" wheels & not available with spoke guards.*

<input type="checkbox"/>	087HR8	8 Oblique	\$126.00
--------------------------	--------	-----------	----------

Rear Wheel Tire

<input type="checkbox"/>	087RT1	Pneumatic	NC
<input type="checkbox"/>	087RT2	Pneumatic Airless Insert	\$215.00
<input type="checkbox"/>	087RT3	Full Polyurethane (Not avail. w/ 12", 16" and 18" rear wheels)	NC
<input type="checkbox"/>	087RT4	Low Polyurethane (Only available with 12" or 24" wheels)	NC
<input type="checkbox"/>	087RT6	High Pressure Clincher (Only available with 24" spoke wheels)	\$90.00

5. WHEEL LOCK/HUB LOCK

Wheel Lock

Not available with Hub Locks

<input type="checkbox"/>	087WL1	High Mount Push	NC
<input type="checkbox"/>	087WL2	High Mount Pull	NC
<input type="checkbox"/>	087WL25	Foot Lock (may limit folding width) (Not avail. In rev. config.)	NC
<input type="checkbox"/>	087WL10	Omit	NC
<input type="checkbox"/>	087WL12	Do Not Mount	NC

Hub Lock

**Only available with 12" or 16" wheels. N/A with One arm drive.*

<input type="checkbox"/>	087LK01	12" Hub Lock	\$142.00
<input type="checkbox"/>	087LK02	16" Hub Lock	\$142.00

Extension Handle

<input type="checkbox"/>	087EH1	6" Pair	\$63.00
--------------------------	--------	---------	---------

Mark For:

✓	Option #	Definition	Price	✓	Option #	Definition	Price
---	----------	------------	-------	---	----------	------------	-------

6. HANGER and FOOTRESTS

Hanger Mounted Footrest (Footplates Mount to Hanger Tubing)

<i>Hanger Type</i>			
<input type="checkbox"/>	087H89	70° Swing In/Out Front Mount	NC
<input type="checkbox"/>	087H90	80° Swing In/Out Front Mount	NC
<input type="checkbox"/>	087H6	90° Swing Away Front Mount	NC
<input type="checkbox"/>	087H9	70° Hvy Dty Fnt Mount Lift-Off	\$184.00
<input type="checkbox"/>	087H10	80° Hvy Dty Fnt Mount Lift-Off	NC
<input type="checkbox"/>	087H11	90° Hvy Dty Fnt Mount Lift-Off	NC
<input type="checkbox"/>	087H23	90° Elevating (n/a 10-11" wide)	\$295.00
<i>Extensions (may interfere with some seat heights & casters)</i>			
<input type="checkbox"/>	087E23	2" (not mounted)	\$47.00
<input type="checkbox"/>	087E24	4" (not mounted)	\$47.00

Footplate

<input type="checkbox"/>	087F9	Kids Angle Adjustable (not avail. w/17"-18" widths)	NC
<input type="checkbox"/>	087F8	Adult Angle Adj. (Available with 10"-18" widths)	\$152.00
<input type="checkbox"/>	087F62	Footboard (Available with 10"-16" widths)	\$200.00

Ext. Tube Mounted Footrest (Footplate Mount to Ext. Tube)

<i>Hanger Type</i>			
<input type="checkbox"/>	087H85	60° Swing In/Out	NC
<input type="checkbox"/>	087H86	70° Swing In/Out	STD
<input type="checkbox"/>	087H116	80° Swing In/Out (n/a with 6" or 8" Casters)	STD
<input type="checkbox"/>	087H24	Articulating (Not Avail. w/composite footplates or 10"-13")	\$457.00
<input type="checkbox"/>	087H14	Elevating (Not avail. w/ composite or platform footplates or < 16" width)	\$295.00

Extensions

<input type="checkbox"/>	087E1	Short (11.5" - 14")	NC
<input type="checkbox"/>	087E2	Med (14" - 17") Not avail. w/ ELR	NC
<input type="checkbox"/>	087E5	Long (17" - 19")	NC
<input type="checkbox"/>	087E16	High Mount	\$84.00

Footplate

<input type="checkbox"/>	087F1	Composite (not avail. In 10", 11" or 12" width)	STD
<input type="checkbox"/>	087F3	Aluminum Angle Adjustable	\$152.00
<input type="checkbox"/>	087F4	Kids Angle Adjustable (not avail. w/17"-18" width)	NC
<input type="checkbox"/>	087F5	Aluminum (Only available with elevating legrests 14"-18")	NC
<input type="checkbox"/>	087F48	Platform Flip-Up (Avail on 60° 70° and 80° ext. mount hangers only)	\$200.00

Front Seat to Floor Height Guide (Reference Only)

Rear Wheel Size	CASTER SIZE						
	3"	4"	5"	6"	8"X1"	8"X1.5"	8"x2"
12"	14.0	14.0	14.0		N/A	N/A	N/A
	14.5	14.5	14.5				
	15.0	15.0	15.0	15.0			
	15.5	15.5	15.5	15.5			
12" Low Poly	14.0	14.0	14.0	15.0	N/A	N/A	N/A
	14.5	14.5	14.5				
	15.0	15.0	15.0				
16"	14.0	14.0	14.0				
	14.5	14.5	14.5				
	15.0	15.0	15.0	15.0			
	15.5	15.5	15.5	15.5			
	16.0	16.0	16.0	16.0			
	16.5	16.5	16.5	16.5	16.5	16.5	16.5
18"	14.0	14.0	14.0				
	14.5	14.5	14.5				
	15.0	15.0	15.0	15.0			
	15.5	15.5	15.5	15.5			
	16.0	16.0	16.0	16.0			
	16.5	16.5	16.5	16.5	16.5	16.5	16.5
	17.0	17.0	17.0	17.0	17.0	17.0	17.0
	17.5	17.5	17.5	17.5	17.5	17.5	17.5
		18.0	18.0	18.0	18.0	18.0	18.0
20"	14.0	14.0	14.0				
	14.5	14.5	14.5	15.0			
	15.0	15.0	15.0	15.5			
	15.5	15.5	15.5	16.0	16.5	16.5	16.5
	16.0	16.0	16.0	16.5	17.0	17.0	17.0
	16.5	16.5	16.5	17.0	17.5	17.5	17.5
	17.0	17.0	17.0	17.5	18.0	18.0	18.0
	17.5	17.5	17.5	18.0	18.5	18.5	18.5
		18.0	18.0	18.5	19.0	19.0	19.0
				18.5	19.5	19.5	
22"				15.0			
	15.0	15.0	15.0	15.5	16.5	16.5	
	15.5	15.5	15.5	16.0	17.0	17.0	
	16.0	16.0	16.0	16.5	17.5	17.5	16.5
	16.5	16.5	16.5	17.0	18.0	18.0	
	17.0	17.0	17.0	17.5	18.5	18.5	17.5
	17.5	17.5	17.5	18.0	19.0	19.0	18.0
		18.0	18.0	18.5	19.5	19.5	18.5
				18.5	19.0	20.0	19.0
					19.0	19.5	
24"	15.5	15.5	15.5	15.5			
	16.0	16.0	16.0	16.0	16.5	16.5	16.5
	16.5	16.5	16.5	16.5	17.0	17.0	
	17.0	17.0	17.0	17.0	17.5	17.5	17.5
	17.5	17.5	17.5	17.5	18.0	18.0	18.0
		18.0	18.0	18.0	18.5	18.5	18.5
				18.5	19.0	19.0	19.0
					19.0	19.5	

Based on 1.5° seat angle. To achieve desired seat height see matrices on last page.

Mark For:

✓	Option #	Definition	Price	✓	Option #	Definition	Price
---	----------	------------	-------	---	----------	------------	-------

6. FOOTRESTS CONT.

Footrest Hanger Options

<input type="checkbox"/>	087IG2	Neoprene Covers (Avail. on 60°/70°/80° ext. mount hangers only)	\$53.00
<input type="checkbox"/>	087HL1	Heel Loops	NC
<input type="checkbox"/>	087A110	Toe Loop (Only avail. w/ adult angle adjust. footplates)	\$37.00

<input type="checkbox"/>	087HL5	Leg Strap	NC
<input type="checkbox"/>	087A54	Extra Single Leg Strap	\$53.00
<input type="checkbox"/>	087H33	Omit Hanger	-\$15.00
<input type="checkbox"/>	087F7	Omit Footplate & Ext. Tube	-\$16.00
<input type="checkbox"/>	087HL4	Omit Heel Loop	NC
<input type="checkbox"/>	087HL6	Omit Single Leg Strap	NC

7. BACKREST/SEATING

Back Height

(Solid Back Depth = 2" Less Than Frame Depth)

<input type="checkbox"/>	087B240	Short Solid Back 12"	\$357.00
<input type="checkbox"/>	087B241	Med. Solid Back 14"	\$357.00
<input type="checkbox"/>	087B242	Tall Solid Back 16"	\$357.00
<input type="checkbox"/>	087B176	Omit Backrest	NC

Jay Backs (Optional)

Ordering JAYbacks on-chair, See the JAY Price List. Requires Part #

<input type="checkbox"/>	087JB02	JAY Bundled Backrest	Price List
		Backrest Name or Part #	
		Width: Height:	

Back Posts

Fixed Height

<input type="checkbox"/>	087BP9	Low (19" Ht)	NC
<input type="checkbox"/>	087BP10	Medium (22" Ht)	NC
<input type="checkbox"/>	087BP11	Tall (25" Ht)	NC
<input type="checkbox"/>	087BP13	Removable Extension	\$152.00
<input type="checkbox"/>	087RG1	Folding Adjustable Rigidizer	\$180.00

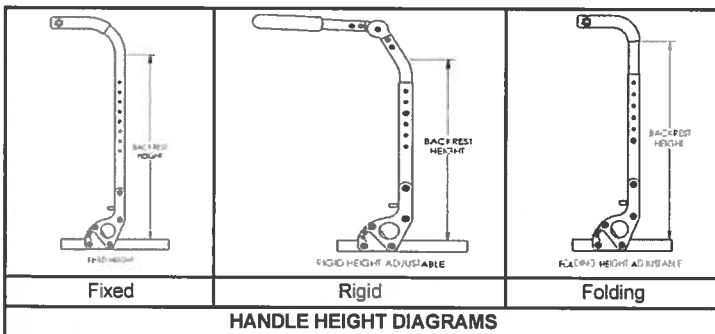
Height Adjustable

Rigid Frame w/ Angle Adjust Push Handle

<input type="checkbox"/>	087B202	Std. (16"-22" Height.)	NC
<input type="checkbox"/>	087PH8	Std. Angle Adj. Push Handle	NC
<input type="checkbox"/>	087PH9	Long Angle Adj. Push Handle	NC
<input type="checkbox"/>	087B203	Tall (19"-25" Height.)	NC
<input type="checkbox"/>	087PH8	Std. Angle Adj. Push Handle	NC
<input type="checkbox"/>	087PH9	Long Angle Adj. Push Handle	NC

Folding Frame with Push Handle

<input type="checkbox"/>	087B204	Std. (17"-23" Height.)	NC
<input type="checkbox"/>	087BP47	Swing Away Handle (not available with dual triggers)	\$75.00
<input type="checkbox"/>	087B205	Tall (20"-26" Height.)	NC
<input type="checkbox"/>	087BP47	Swing Away Handle (not available with dual triggers)	\$75.00



8. ARMRESTS

Side Guard

(Not available with height adjustable armrests or T-Post)

<input type="checkbox"/>	087SG33	Plastic Std	\$163.00
<input type="checkbox"/>	087SG29	Plastic Low	\$163.00

Armrest and Armpad

<input type="checkbox"/>	087AA12	T-Post Regular w/Foam	NC
<input type="checkbox"/>	087AA13	T-Post Tall w/Foam	NC
<input type="checkbox"/>	087AA3	Flip-Up	NC
<input type="checkbox"/>	087AA1	Adjustable Locking Flip-Up	\$295.00
<input type="checkbox"/>	087AA7	Length Adjust. Locking Flip-Up	\$295.00
<input type="checkbox"/>	087AM23	Desk Classic (10") (not avail. w/T Post)	NC
<input type="checkbox"/>	087AM24	Full Classic (14") (not avail. w/T Post)	NC
<input type="checkbox"/>	087AM9	Foam Short (not avail. w/T Post)	NC
<input type="checkbox"/>	087AM10	Foam Long (not avail. w/T Post)	NC

Armrest and Armpad - Height Adjustable

<input type="checkbox"/>	087AA11	Single-Post Height Adj. Std.	\$295.00
<input type="checkbox"/>	087AM23	Desk Classic	NC
<input type="checkbox"/>	087AM21	Desk Contour	NC
<input type="checkbox"/>	087AM24	Full Classic	NC
<input type="checkbox"/>	087AM22	Full Contour	NC
<input type="checkbox"/>	087AA29	Single-Post Height Adj. Low	\$295.00
<input type="checkbox"/>	087AM23	Desk Classic	NC
<input type="checkbox"/>	087AM21	Desk Contour	NC
<input type="checkbox"/>	087AM24	Full Classic	NC
<input type="checkbox"/>	087AM22	Full Contour	NC

Armrest Receiver for Height Adjustable Armrest

<input type="checkbox"/>	087AR17	Low	NC
<input type="checkbox"/>	087AR18	Std	NC

Mark For:

✓	Option #	Definition	Price	✓	Option #	Definition	Price
---	----------	------------	-------	---	----------	------------	-------

9. KEY OPTIONS

Anti-Tip

UPDATED

<input type="checkbox"/>	087AO2	Front Anti-Tip (Not available with caster pin locks or transit option)	\$137.00
<input type="checkbox"/>	087AT17	Rear Anti-Tip	\$105.00

Positioning Belt (w/clamps)

<input type="checkbox"/>	087A112	1" Dual Pull Side Squeeze Padded	\$115.00
<input type="checkbox"/>	087A117	Belt 2" Aircraft Buckle	\$121.00
<input type="checkbox"/>	087A118	Belt 2" Aircraft Buckle Padded	\$178.00
<input type="checkbox"/>	087A141	Belt 1.5" Auto Buckle	\$84.00
<input type="checkbox"/>	087A814	1" Comfort Fit APB5116	\$126.00

Upper Extremity Support Tray

<input type="checkbox"/>	087A29	X-Sm (Suggested 10"-12" Width)	\$331.00
<input type="checkbox"/>	087A30	Sm (Suggested 13"-14" Width)	\$331.00
<input type="checkbox"/>	087A31	Med (Suggested 15"-17" Width)	\$331.00
<input type="checkbox"/>	087A32	Lrg (Suggested 18"-20" Width)	\$331.00

Spoke Guard

(Not available with 12", 16" and 18" rear wheels & Projections Handrims)

<input type="checkbox"/>	087A23	Black	\$137.00
<input type="checkbox"/>	087A303	Clear Zippie	\$137.00

Canopy (SunShade)

(Need 2" back post clearance to mount canopy hardware, may require next height based on seating, please note some interference may occur with some headrest configurations)

<input type="checkbox"/>	0878A06	Canopy (Sunshade) 10"-14" Width	\$373.00
<input type="checkbox"/>	0878A07	Canopy (Sunshade) 15"-20" Width	\$373.00

Back Pack (Kids Backpack included)

<input type="checkbox"/>	087A1	Utility Backpack - Black	\$97.00
<input type="checkbox"/>	087A2	Additional Kids Black Backpack	\$90.00

Miscellaneous

<input type="checkbox"/>	087A83	Tool Kit	\$37.00
<input type="checkbox"/>	087A8	Black Seat Pouch	\$73.00

10. COLOR

Standard Colors

<input type="checkbox"/>	087C140	Aztec Gold	NC
<input type="checkbox"/>	087C2	Black (Not avail as base w/Zebra)	NC
<input type="checkbox"/>	087C141	Black Cherry	NC
<input type="checkbox"/>	087C10	Black Opal	NC
<input type="checkbox"/>	087C38	Blue Opal	NC
<input type="checkbox"/>	087C36	Candy Blue	NC
<input type="checkbox"/>	087C14	Candy Purple	NC
<input type="checkbox"/>	087C35	Candy Red	NC
<input type="checkbox"/>	087C142	Electric Blue	NC
<input type="checkbox"/>	087C143	Evergreen	NC
<input type="checkbox"/>	087C126	Glow	NC
<input type="checkbox"/>	087C144	Green Apple	NC
<input type="checkbox"/>	087C147	Hot Sparkle Pink	NC
<input type="checkbox"/>	087C148	Mauve Pink	NC
<input type="checkbox"/>	087C103	Rootbeer	NC
<input type="checkbox"/>	087C114	Sparkle Silver	NC
<input type="checkbox"/>	087C145	Sunrise Orange	NC
<input type="checkbox"/>	087C113	Titanium Color Paint	NC
<input type="checkbox"/>	087C8	Yellow	NC

Standard Matte Colors

<input type="checkbox"/>	087C116	Matte Black	NC
<input type="checkbox"/>	087C151	Matte Black Cherry	NC
<input type="checkbox"/>	087C152	Matte Purple	NC
<input type="checkbox"/>	087C150	Matte Electric Blue	NC
<input type="checkbox"/>	087C149	Matte Evergreen	NC

Custom Colors

<input type="checkbox"/>	087C43	Mossy Oak Camouflage	\$320.00
<input type="checkbox"/>	087C42	Stars and Stripes	\$320.00
<input type="checkbox"/>	087C108	Zebra (Choose base color above: White Std, n/a)	\$320.00

Mark For:

✓	Option #	Definition	Price	✓	Option #	Definition	Price
---	----------	------------	-------	---	----------	------------	-------

11. BUNDLING



Save time! Wheelchair and seating will be delivered together.
Hardware pre-installed.

Cushions

<input type="checkbox"/> Jay Cushion:			
Width:		Depth:	
Notes:			

Backs

<input type="checkbox"/> Jay Back:			
Width:		Height:	
Notes:			

Headrest

<input type="checkbox"/> System:		
Pads:		
Notes:		
Hardware:		
Notes:		

Jay Positioning Components

<input type="checkbox"/> Anterior Trunk Supports:		
Size:		
Hand and Arm Supports:		
Size:		
Pelvic Positioning:		
Size:		
Foot Positioning:		
Size:		
Notes:		

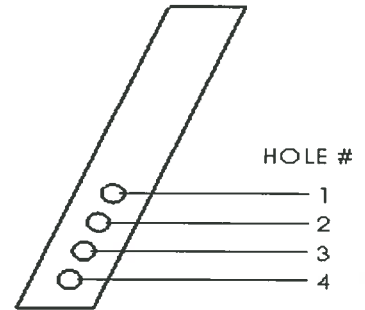
Mark For:

✓	Option #	Definition	Price	✓	Option #	Definition	Price
---	----------	------------	-------	---	----------	------------	-------

Zippie GS Seat Height Setup

Caster Fork Size	Caster Stem	Caster Fork Hole Position	CASTER SIZE							
			3	4	5	6	8x1	8x1.5	8x2	
5-1/4" (N/A with 8x2 Caster)	Std	1			14					
		2		14	14.5	15				
		3	14	14.5	15	15.5				
		4	14.5	15	15.5	16	17	16.5		
	+3/4"	1			14.5					
		2		14.5	15	15.5				
		3	14.5	15	15.5	16				
		4	15	15.5	16	16.5	17.5	17.5		
	+1-1/2"	1			15.5					
		2		15.5	16	16.5				
		3	15.5	16	16.5	17				
		4	16	16.5	17	17.5	18.5	18		
6" (N/A with 8x2 Caster)	Std	1			14.5	15				
		2		14.5	15	15.5	16.5	16.5		
		3	14.5	15	15.5	16	17	17		
		4	15	15.5	16	16.5	17.5	17.5		
	+3/4"	1			15.5	16				
		2		15.5	16	16.5	17.5	17		
		3	15.5	16	16.5	17	18	17.5		
		4	16	16.5	17	17.5	18.5	18		
	+1-1/2"	1			16	16.5				
		2		16	16.5	17	18	18		
		3	16	16.5	17	17.5	18.5	18.5		
		4	16.5	17	17.5	18	19	19		
7" (N/A with 8x2 Caster)	Std	1			15.5	16	17	17		
		2		15.5	16	16.5	17.5	17.5		
		3	15.5	16	16.5	17	18	18		
		4	16	16.5	17	17.5	18.5	18.5		
	+3/4"	1			16	16.5	18	17.5		
		2		16	16.5	17	18.5	18		
		3	16	16.5	17	17.5	19	18.5		
		4	16.5	17	17.5	18	19.5	19		
	+1-1/2"	1			17	17.5	18.5	18.5		
		2		17	17.5	18	19	19		
		3	17	17.5	18	18.5	19.5	19.5		
		4	17.5	18	18.5	19	20	20		
8" Wide (must use with 8x2 caster)	Std	1							16.5	
		2							17.5	
	+3/4"	1							17.5	
		2							18.5	
	+1-1/2"	1							18	
		2							19	

5-1/4", 6" & 7" Fork



8" Wide Fork

