



MEDmobility

5711- Calgary Trail NW
Edmonton AB T6H 2K1
P: 780-437-3300
F: 780-430-9381
www.medmobility.ca

TSUNAMI AL

AADL #W154

Effective 10/01/2017

Phone (800) 981-1540 | Fax (715) 254-0996
sales@kimobility.com | www.kimobility.com

Company: _____

Account Number: _____ Date: _____

Quote PO Number: _____

RTS: _____

Marked For: _____

Tsunami AL \$2340
250 lb weight capacity

Frame

Seat Width / Seat Depth

Select box corresponding to desired Seat Width and Depth.
See references A and B on page 6.

Table with columns for Seat Width (14-22 inches) and Seat Depth (14-20 inches), including Price and availability checkboxes.

1 No charge with Heavy Duty Option

Heavy Duty Option

Requires 6" casters

350 lb Weight Capacity \$750

Transit Option

125 lb maximum weight capacity

Transit System ** \$299

Backrest

Back Post / Height Range / Back Height

Select Back Height in row corresponding to desired Back Post and Height Range

Table with columns for Back Post, Price, Height Range, and Back Height (9-18 inches).

1 Not available with back upholstery

2 Not available with Fold Down Push Handle

3 Fold Down Push Handle requires Height Adjustable Rigidizer Bar

Ship To: _____

Address: _____

City: _____ State: _____

Zip: _____ Phone: _____

Email/Fax: _____



Sling Position

In Performance Position (0"), sling is at front of frame. The 1" or 2" sling position extends the frame in front of the sling by that amount. See reference C on page 6.

- 0" (Performance) N/C
1" N/C
2" (Classic) N/C

Adjustable Depth

Adds the capability to grow seat in depth

- No Rear Adjustment N/C
1/2" N/C
1" N/C
2" N/C
3" N/C

Long Sling

Available only with 1", 2" and 3" Adjustable Depth

- Long Sling N/C
Sling will be maximum 2" longer than seat depth

Front Frame Bend

Angle between front seat tube and ground. See reference D on page 6.

- 90° \$94
85° N/C
80° N/C
75° N/C
70° N/C

Push Handle

- Omit Push Handle N/C
Standard Push Handle N/C
Bolt-On Push Handle ** \$156
Handles will be 1" - 2" above back height
Fold Down Push Handle ** \$145
Not available with Heavy Duty option

Stroller Handle

Stroller Handles are removable and height adjustable

- Single Stroller Handle ** \$206
Double Stroller Handle ** \$399
Not available with Push Handles

Backrest continued

Rigidizer Bar

Adjustable Height Rigidizer Bar ** _____ \$94

Seat Back Angle

Standard is 90° (perpendicular to floor). Minus (-°) closes back angle. Plus (+°) opens back angle.

- Standard
- +3°
- +6°
- +9°
- 3°
- 6°
- 9°
- 12°

Back Upholstery

Available only with Height Adjustable Back Posts

- Padded Velcro Adjustable _____ Std
Not available with Heavy Duty Option
- Tension Adjustable _____ \$175
- Omit Back Upholstery _____ N/C

Front Seat Height and Casters

Caster Size / Footrest Taper / Front Seat Height

Select Front Seat Height in row corresponding to Footrest Taper and Caster Size. 6" casters not available with 85° and 90° Front Frame Bend. Footrest Taper indicates bend of front frame creating footrest width. Taper is measured from outside of seat frame to outside of front tube. 2" Taper not available with 70° or 75° Front Frame Bend. Taper is not available with 70° Front Frame Bend. See reference E on page 6. Front Seat Height is measured from floor to top of seat tube at front of seat sling. Adjustable up or down by 1/2". See reference F on page 6.

Footrest Taper	Caster Size	Front Seat Height														
Straight	3"	<input type="checkbox"/> 13.5	<input type="checkbox"/> 14	<input type="checkbox"/> 14.5	<input type="checkbox"/> 15	<input type="checkbox"/> 15.5	<input type="checkbox"/> 16	<input type="checkbox"/> 16.5	<input type="checkbox"/> 17	<input type="checkbox"/> 17.5	<input type="checkbox"/> 18	<input type="checkbox"/> 18.5	<input type="checkbox"/> 19	<input type="checkbox"/> 19.5	<input type="checkbox"/> 20	<input type="checkbox"/> 20.5
	4"	<input type="checkbox"/> 14	<input type="checkbox"/> 14.5	<input type="checkbox"/> 15	<input type="checkbox"/> 15.5	<input type="checkbox"/> 16	<input type="checkbox"/> 16.5	<input type="checkbox"/> 17	<input type="checkbox"/> 17.5	<input type="checkbox"/> 18	<input type="checkbox"/> 18.5	<input type="checkbox"/> 19	<input type="checkbox"/> 19.5	<input type="checkbox"/> 20	<input type="checkbox"/> 20.5	
	5"	<input type="checkbox"/> 14.5	<input type="checkbox"/> 15	<input type="checkbox"/> 15.5	<input type="checkbox"/> 16	<input type="checkbox"/> 16.5	<input type="checkbox"/> 17	<input type="checkbox"/> 17.5	<input type="checkbox"/> 18	<input type="checkbox"/> 18.5	<input type="checkbox"/> 19	<input type="checkbox"/> 19.5	<input type="checkbox"/> 20	<input type="checkbox"/> 20.5		
	6"	<input type="checkbox"/> 15	<input type="checkbox"/> 15.5	<input type="checkbox"/> 16	<input type="checkbox"/> 16.5	<input type="checkbox"/> 17	<input type="checkbox"/> 17.5	<input type="checkbox"/> 18	<input type="checkbox"/> 18.5	<input type="checkbox"/> 19	<input type="checkbox"/> 19.5	<input type="checkbox"/> 20	<input type="checkbox"/> 20.5			
1" Taper	3"	<input type="checkbox"/> 16.5	<input type="checkbox"/> 17	<input type="checkbox"/> 17.5	<input type="checkbox"/> 18	<input type="checkbox"/> 18.5	<input type="checkbox"/> 19	<input type="checkbox"/> 19.5	<input type="checkbox"/> 20	<input type="checkbox"/> 20.5						
	4"	<input type="checkbox"/> 17	<input type="checkbox"/> 17.5	<input type="checkbox"/> 18	<input type="checkbox"/> 18.5	<input type="checkbox"/> 19	<input type="checkbox"/> 19.5	<input type="checkbox"/> 20	<input type="checkbox"/> 20.5							
	5"	<input type="checkbox"/> 17.5	<input type="checkbox"/> 18	<input type="checkbox"/> 18.5	<input type="checkbox"/> 19	<input type="checkbox"/> 19.5	<input type="checkbox"/> 20	<input type="checkbox"/> 20.5								
	6"	<input type="checkbox"/> 18	<input type="checkbox"/> 18.5	<input type="checkbox"/> 19	<input type="checkbox"/> 19.5	<input type="checkbox"/> 20	<input type="checkbox"/> 20.5									
2" Taper	3"	<input type="checkbox"/> 16.5	<input type="checkbox"/> 17	<input type="checkbox"/> 17.5	<input type="checkbox"/> 18	<input type="checkbox"/> 18.5	<input type="checkbox"/> 19	<input type="checkbox"/> 19.5	<input type="checkbox"/> 20	<input type="checkbox"/> 20.5						
	4"	<input type="checkbox"/> 17	<input type="checkbox"/> 17.5	<input type="checkbox"/> 18	<input type="checkbox"/> 18.5	<input type="checkbox"/> 19	<input type="checkbox"/> 19.5	<input type="checkbox"/> 20	<input type="checkbox"/> 20.5							
	5"	<input type="checkbox"/> 17.5	<input type="checkbox"/> 18	<input type="checkbox"/> 18.5	<input type="checkbox"/> 19	<input type="checkbox"/> 19.5	<input type="checkbox"/> 20	<input type="checkbox"/> 20.5								
	6"	<input type="checkbox"/> 18	<input type="checkbox"/> 18.5	<input type="checkbox"/> 19	<input type="checkbox"/> 19.5	<input type="checkbox"/> 20	<input type="checkbox"/> 20.5									

Caster Type

- .75" Rollerblade _____ N/C
Not available with 5" and 6" Caster Sizes
- .75" Lighted Rollerblade ** _____ \$88
Not available with 5" and 6" Caster Sizes
- 1" Poly _____ N/C
Not available with 3" Caster Size
- 1" Poly Aluminum ** _____ \$138
Not available with 3" and 6" Caster Sizes
- 1" Pneumatic _____ \$100
Not available with 3", 4" and 5" Caster Sizes
- 1.5" Poly _____ \$63
Not available with 3" Caster Size
- 1.5" Soft Roll Aluminum
 - 3" ** _____ \$175
 - 4" ** _____ \$219
 - 5" ** _____ \$231
 - 6" ** _____ \$250

Fork Options

- Slotted Fork _____ Std
 - Single Sided Fork ** _____ \$156
Not available with 6" Casters or Caster Pin Locks
 - Frog Legs Ultra-Sport Fork - Black ** _____ \$425
Not available with Caster Pin Locks or Heavy Duty Option
- End User Weight Required: _____ lbs**
- Frog Legs PHASE2 Carbon Fork ** _____ \$425
Lightweight shock absorbing fork. Not available with Caster Pin Locks or Heavy Duty Option.
 - Caster Pin Locks ** _____ \$244
Available only with Slotted Fork

Footrest

- Footplate**
- Tubular "Open" Footplate _____ Std
*Not available with footrest widths greater than 17.5".
 See Reference G on page 6.*
 - Tubular Footplate with ABS Cover _____ N/C
*Not available with footrest widths greater than 15.5".
 See Reference G on page 6.*
 - Aluminum Angle Adjustable _____ \$119
 - Aluminum Angle Adjustable with Riser _____ \$181
 - High Mount Aluminum Angle Adjustable _____ \$119
 - Angle Adjustable Flip Under ** _____ \$231
 - High Mount Angle Adjustable Flip Under ** _____ \$338
*Not available with footrest widths greater than 15.5".
 See Reference G on page 6.*

Seat to Footrest Length

Measured from front edge of seat sling to top, rear of footrest. Footrest length at least 2.5" shorter than Front Seat Height recommended. See reference H on page 6.

<input type="checkbox"/> 8"	<input type="checkbox"/> 8.5"	<input type="checkbox"/> 9"	<input type="checkbox"/> 9.5"	<input type="checkbox"/> 10"	<input type="checkbox"/> 10.5"
<input type="checkbox"/> 11"	<input type="checkbox"/> 11.5"	<input type="checkbox"/> 12"	<input type="checkbox"/> 12.5"	<input type="checkbox"/> 13"	<input type="checkbox"/> 13.5"
<input type="checkbox"/> 14"	<input type="checkbox"/> 14.5"	<input type="checkbox"/> 15"	<input type="checkbox"/> 15.5"	<input type="checkbox"/> 16"	<input type="checkbox"/> 16.5"
<input type="checkbox"/> 17"	<input type="checkbox"/> 17.5"	<input type="checkbox"/> 18"	<input type="checkbox"/> 18.5"	<input type="checkbox"/> 19"	<input type="checkbox"/> 19.5"

Footrest Protector

- Footrest Protector ** _____ \$32
Not available with Angle Adjustable Flip Under, High Mount Angle Adjustable Flip Under or High Mount Aluminum Angle Adjustable Footplates

Rear Seat Height and Wheels

Wheel Size / Rear Seat Height

Select Rear Seat Height in row corresponding to desired Wheel Size. For proper setup, selection is required when omitting rear wheels. Measured from floor to top of seat tube at front of back post. Rear Seat Height is custom to needs. See reference I on page 6.

Wheel Size	Rear Seat Height															
20"	<input type="checkbox"/> 12.5 ¹	<input type="checkbox"/> 13	<input type="checkbox"/> 13.5	<input type="checkbox"/> 14	<input type="checkbox"/> 14.5	<input type="checkbox"/> 15	<input type="checkbox"/> 15.5	<input type="checkbox"/> 16	<input type="checkbox"/> 16.5	<input type="checkbox"/> 17	<input type="checkbox"/> 17.5	<input type="checkbox"/> 18	<input type="checkbox"/> 18.5	<input type="checkbox"/> 19	<input type="checkbox"/> 19.5	<input type="checkbox"/> 20
22"	<input type="checkbox"/> 13.5 ¹	<input type="checkbox"/> 14	<input type="checkbox"/> 14.5	<input type="checkbox"/> 15	<input type="checkbox"/> 15.5	<input type="checkbox"/> 16	<input type="checkbox"/> 16.5	<input type="checkbox"/> 17	<input type="checkbox"/> 17.5	<input type="checkbox"/> 18	<input type="checkbox"/> 18.5	<input type="checkbox"/> 19	<input type="checkbox"/> 19.5	<input type="checkbox"/> 20		
24"	<input type="checkbox"/> 14.5 ¹	<input type="checkbox"/> 15	<input type="checkbox"/> 15.5	<input type="checkbox"/> 16	<input type="checkbox"/> 16.5	<input type="checkbox"/> 17	<input type="checkbox"/> 17.5	<input type="checkbox"/> 18	<input type="checkbox"/> 18.5	<input type="checkbox"/> 19	<input type="checkbox"/> 19.5	<input type="checkbox"/> 20				
25" **	<input type="checkbox"/> 15 ¹	<input type="checkbox"/> 15.5	<input type="checkbox"/> 16	<input type="checkbox"/> 16.5	<input type="checkbox"/> 17	<input type="checkbox"/> 17.5	<input type="checkbox"/> 18	<input type="checkbox"/> 18.5	<input type="checkbox"/> 19	<input type="checkbox"/> 19.5	<input type="checkbox"/> 20					
26" **	<input type="checkbox"/> 15.5 ¹	<input type="checkbox"/> 16	<input type="checkbox"/> 16.5	<input type="checkbox"/> 17	<input type="checkbox"/> 17.5	<input type="checkbox"/> 18	<input type="checkbox"/> 18.5	<input type="checkbox"/> 19	<input type="checkbox"/> 19.5	<input type="checkbox"/> 20						

¹ Available only with Low Profile Rear Tire Type

Camber Bar Tower

- Standard Tower _____ N/C
- Mx Tower ** _____ \$156

Standard Tower allows rear seat height adjustment up or down in 1/4" increments. 1" adjustment available; 1/2" in lowest end of range. **Mx Tower** required with select low seat heights or when large rear seat height adjustment range is required. Provides 3" adjustment range in 1/4" increments.

Rear Wheel Type

- Spoke _____ N/C
- Mag _____ \$63
Not available in 25" or 26" rear wheels
- Superlight Spoke ** _____ \$305
Available only in 24" and 25" rear wheels. Not available with Heavy Duty Option.
- Spinergy Spox ** _____ \$795
Not available in 20" rear wheel
 Color: Black Red White Blue Yellow
 Handrim: Short Tab Long Tab
Available only with Aluminum Anodized and Plastic Coated Handrims
- Spinergy LX ** _____ \$995
Not available in 20" rear wheel
 Color: Black Red White Blue Yellow
 Pink Green Orange
 Handrim: Short Tab Long Tab
Available only with Aluminum Anodized and Plastic Coated Handrims

Rear Tire Type

Full Profile

- Street Pneumatic 1 3/8" _____ Std
Not available on 25" rear wheel
- Full Poly 1 3/8" _____ \$188
Not available on Superlight or 25" rear wheel
- Pneumatic with Airless Insert 1 3/8" ** _____ \$125
Not available on Superlight or 25" rear wheel
- Schwalbe HS-127 1 3/8" ** _____ \$119
Available only on 24" rear wheel. Not available on Mag wheels.
- Euro Trek Knobby 1 3/8" ** _____ \$119
Available only on 24" rear wheel
- Mountain 2" Black ** _____ \$156
Available only on 22", 24" and 25" Spoke and Spinergy wheels

Low Profile

- Low Poly 1" _____ N/C
Not available on Superlight, 25" or 26" rear wheels
- Sentinel Solid Tire 1" ** _____ \$119
Not available on Superlight wheels or 20" and 22" Mag wheels
- High Pressure 1" ** _____ \$75
Not available on Mag wheels
- Schwalbe One 1" ** _____ \$135
Available only on 24" and 25" rear wheels. Not available on Mag wheels.
- Schwalbe Marathon Plus Evolution 1" ** _____ \$156
Not available on Mag, 20" or 22" rear wheels

Rear Seat Height and Wheels continued

Handrim	
Standard Handrims	
<input type="checkbox"/> Aluminum Anodized	Std
<input type="checkbox"/> Superlight Aluminum Anodized **	\$63
<i>Available only on 24" and 25" Superlight and Spinergy wheels. Not available with Heavy Duty Option.</i>	
<input type="checkbox"/> Plastic Coated	\$119
<input type="checkbox"/> Projection (8 Vertical Projections)	\$299
<i>Available on 22", 24", 25" and 26" Spoke wheels & 24" Mag wheels w/full tires. Clinical justification required.</i>	
<input type="checkbox"/> Spinergy Flex Rim **	\$595
<i>Available only on 24" and 25" Spinergy LX wheels</i>	
<input type="checkbox"/> Omit Handrim	N/C

Natural Fit Handrims	
<i>Not available on 20" rear wheel or 22" Mag wheels. Not recommended with Mag wheels.</i>	
<input type="checkbox"/> Natural Fit LT Regular Grip **	\$445
<input type="checkbox"/> Natural Fit Standard Regular Grip **	\$445
<input type="checkbox"/> Natural Fit LT Super Grip **	\$495
<input type="checkbox"/> Natural Fit Standard Super Grip **	\$495
<input type="checkbox"/> Natural Fit LT Omit Grip **	\$345
<input type="checkbox"/> Natural Fit Standard Omit Grip **	\$345

Handrim Option	
<input type="checkbox"/> 3M Micro Grip **	\$81
<i>Not available on Plastic Coated or Projection Handrims</i>	

Axle	
<input type="checkbox"/> Quick Release	Std
<input type="checkbox"/> Quad Quick Release	\$231
<i>Not available with Mag wheels</i>	

Wheel Locks

Wheel Lock	
<input type="checkbox"/> Push to Lock	Std
<input type="checkbox"/> Push to Lock Flush Mount	N/C
<input type="checkbox"/> Pull to Lock	N/C
<input type="checkbox"/> Under Seat Scissor Lock	N/C
<input type="checkbox"/> Low Profile Scissor Lock	\$35
<i>Not available with Low Poly, Full Poly or Sentinel Solid tires</i>	
<input type="checkbox"/> Short Thro Scissor Lock **	\$156
<input type="checkbox"/> Omit Wheel Locks	N/C

Armrests

Armrest Please select Arm Pad option	
<input type="checkbox"/> Height Adjustable T-Arm (8.5" - 13.5")	\$325
<i>1.5" minimum Rear Wheel Spacing</i>	
<input type="checkbox"/> Height Adjustable T-Arm Low (7.5" - 11.5")	\$325
<i>1.5" minimum Rear Wheel Spacing</i>	

Arm Pad	
<i>Not available with Swing Away Armrests</i>	
<input type="checkbox"/> Desk	<input type="checkbox"/> Full

Center of Gravity Preset

Measured from front of back post to center of rear axle. 0" indicates axle will be directly under back post. See reference J on page 6.

Amputee Positions			
<input type="checkbox"/> -1.5"	<input type="checkbox"/> -1.25"	<input type="checkbox"/> -1"	<input type="checkbox"/> -.75"
<input type="checkbox"/> -.5"	<input type="checkbox"/> -.25"	<input type="checkbox"/> 0"	<input type="checkbox"/> .25"

Standard Positions			
<input type="checkbox"/> .5"	<input type="checkbox"/> .75"	<input type="checkbox"/> 1"	<input type="checkbox"/> 1.25"
<input type="checkbox"/> 1.5"	<input type="checkbox"/> 1.75"	<input type="checkbox"/> 2"	<input type="checkbox"/> 2.25"
<input type="checkbox"/> 2.5"	<input type="checkbox"/> 2.75"	<input type="checkbox"/> 3"	<input type="checkbox"/> 3.25"
<input type="checkbox"/> 3.5"	<input type="checkbox"/> 3.75"	<input type="checkbox"/> 4"	<input type="checkbox"/> 4.25"

Rear Wheel Spacing

Measured from outside of back to inside of rear tire. Adjustable out 1/2" from setting. 1.5" minimum Rear Wheel Spacing with Height Adjustable T-Arm Armrest. 1" minimum Rear Wheel Spacing with 0" Rear Wheel Camber. See reference K on page 6.

<input type="checkbox"/> .75"	<input type="checkbox"/> 1"	<input type="checkbox"/> 1.25"	<input type="checkbox"/> 1.5"	<input type="checkbox"/> 1.75"
-------------------------------	-----------------------------	--------------------------------	-------------------------------	--------------------------------

Rear Wheel Camber

<input type="checkbox"/> 0°	<input type="checkbox"/> 2°	<input type="checkbox"/> 4°	<input type="checkbox"/> 6°	<input type="checkbox"/> 8°
-----------------------------	-----------------------------	-----------------------------	-----------------------------	-----------------------------

Wheel Lock Options

<input type="checkbox"/> Extension Handles	\$84
<i>Available only with Push to Lock or Pull to Lock Wheel Locks</i>	
<input type="checkbox"/> Grade Aids	\$187
<i>Available only with Push to Lock Wheel Locks and Pneumatic or Pneumatic with Airless Insert Rear Tire Types</i>	

Armrest continued

<input type="checkbox"/> Swing Away (8.5" - 12.5")	\$195
<i>Not available with Arm Pads</i>	
<input type="checkbox"/> Swing Away with Side Guard (8.5" - 12.5") **	\$395
<i>Includes direct mount receiver. Not available with Arm Pads.</i>	
<input type="checkbox"/> Omit Armrests	N/C

Side Guards

Removable Side Guards

Not available with T-Arm Armrests

- Composite Side Guards - Direct Mount Receiver _____ \$175
- Composite Side Guards - Clamp-on Receiver _____ \$200
- Fender Side Guards ** _____ \$350
Includes clamp-on receiver

Fabric Side Guard

Not available with T-Arm Armrests or when omitting Back Upholstery

- Fabric Side Guards _____ \$106

Accessories

Anti-Tip

- Rear Anti-Tips _____ \$140

Calf Strap

- Velcro Adjustable _____ \$59
- Padded Velcro Adjustable ** _____ \$85
- Bodypoint Padded AeroMesh ** _____ \$123

Positioning Belt

- 1 1/2" Auto Buckle _____ \$21.25
AADL = \$22
- 1 1/2" Padded Auto Buckle ** _____ \$170
- 1" Auto Buckle ** _____ \$80
- 1" Padded Auto Buckle ** _____ \$170
- 2" Airline Buckle ** _____ \$150
- Bodypoint Evoflex - Pelvic Stabilizer ** _____ \$219
 Size: Small (16-24") Medium (19-29") Large (25-37")

Belt Mounting Kit

- Ki Mobility Belt Mounting Clamp _____ \$50
Required to mount ASB
- Bodypoint Belt Mounting Bracket Kit ** _____ \$126

Frame Color

Gloss Finish

- Black _____ N/C
- Blue _____ N/C

Seat Pan

- Solid Seat Pan ** _____ \$245
Seat Pan is 1" longer when Long Sling option is selected

Other Accessories

- Tool Kit ** _____ \$45
- Removable Underseat Pouch ** _____ \$50
- Ki Mobility Backpack ** _____ \$65
- Luggage Carrier ** _____ \$120
- Black Neoprene Impact Guards ** _____ \$85
- Under Chair Carrier and Removable Bag ** _____ \$85
- Clear Spoke Guards ** _____ \$144
Not available with Mag wheels
- Black Spoke Guards ** _____ \$144
Not available with 20" rear wheel or Mag wheels
- Cane and Crutch Holder ** _____ \$195

References

A. Seat Width See Diagram 1

Measured from outside of frame tube on one side to outside of frame tube on other side.

B. Seat Depth See Diagram 3

Measured from front of back posts to front edge of seat sling. Seat sling starts at beginning of bend at front of frame.

C. Sling Position See Diagram 2

In Performance Position (0°), sling is at front of frame to keep chair shorter and more maneuverable. The 1" or 2" seat sling position extends the frame in front of the sling by that amount. Adding more frame can improve stability and provide support to aid in transfers.

D. Front Frame Bend See Diagram 3

Angle between front seat tube and ground.

E. Footrest Taper See Diagram 1

Indicates bend of front frame creating footrest. Taper is measured from outside of seat frame to outside of front tube.

F. Front Seat Height See Diagram 1

Measured from floor to top of seat tube at front of seat sling.

G. Footrest Width See Diagram 1

Measured from inside of front tube to inside of front tube on other side. Footrest width is listed below for each seat width and taper.

Seat Width	Straight	1" Taper	2" Taper
Outside Measurement	2" Narrower than Seat Width	4" Narrower than Seat Width	6" Narrower than Seat Width
14"	11.5"	9.5"	
15"	12.5"	10.5"	
16"	13.5"	11.5"	9.5"
17"	14.5"	12.5"	10.5"
18"	15.5"	13.5"	11.5"
19"	16.5"	14.5"	12.5"
20"	17.5"	15.5"	13.5"
21"	18.5"	16.5"	14.5"
22"	19.5"	17.5"	15.5"

H. Seat to Footrest Length See Diagram 3

Measured from front edge of seat sling to top rear of footrest. Footrest length of at least 2.5" shorter than front seat height recommended.

I. Rear Seat Height See Diagram 3

Measured from floor to top of seat tube at front of back post. Rear seat height is custom to needs.

J. Center of Gravity Preset See Diagram 3

Measured from front of back post to center of rear axle. 0" indicates axle will be directly under back post.

K. Rear Wheel Spacing See Diagram 1

Measured from outside of seat back to inside of rear tire. Adjustable out .5" from setting.

Diagram 1

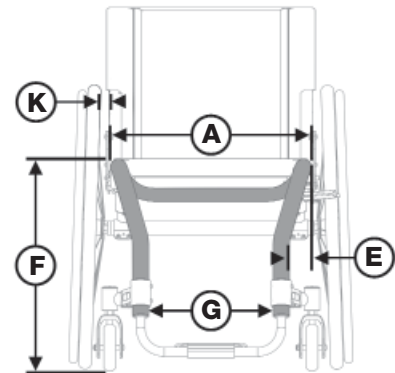


Diagram 2

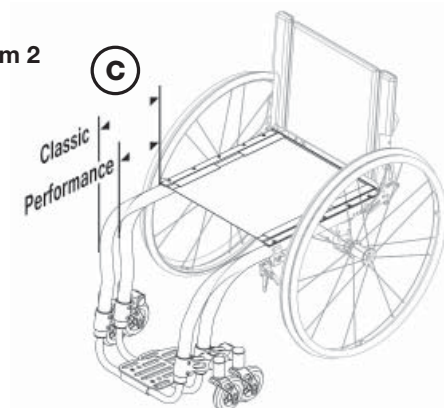


Diagram 3

