



MEDmobility

5711- Calgary Trail NW
Edmonton AB T6H 2K1
P: 780-437-3300
F: 780-430-9381
www.medmobility.ca



Patent Pending

AADL #W157

Effective 10/01/2017

Phone (800) 981-1540 | Fax (715) 254-0996
sales@kimobility.com | www.kimobility.com

Company: \_\_\_\_\_

Ship To: \_\_\_\_\_

Account Number: \_\_\_\_\_ Date: \_\_\_\_\_

Address: \_\_\_\_\_

Quote PO Number: \_\_\_\_\_

City: \_\_\_\_\_ State: \_\_\_\_\_

RTS: \_\_\_\_\_

Zip: \_\_\_\_\_ Phone: \_\_\_\_\_

Marked For: \_\_\_\_\_

Email/Fax: \_\_\_\_\_

Little Wave - Clik XP \$3600
Width Growable Frame. Price includes one time free growth kit.
165 lb weight capacity.



End User Weight: \_\_\_\_\_ lbs (Required with Frog Legs Forks)

Frame

Seat Width / Seat Depth

Select box corresponding to desired Seat Width and Depth.
See references A and B on page 6.

Table with columns for Seat Width (8-16 inches) and rows for Seat Depth (8-16 inches). Includes Price column and checkboxes for selection.

Adjustable Depth

Adds the capability to grow seat in depth. For restrictions see Chart 2 on page 6.

- No Rear Adjustment N/C
1" N/C
2" N/C
3" N/C

Backrest

Back Upholstery

Available only with Height Adjustable Back Posts

- Padded Velcro Adjustable Std
Tension Adjustable \$175
Omit Back Upholstery N/C

DCN0226.3 Revision Date 03/12/2018 Pricing and specifications subject to change without notice \*\*Not covered by AADL Page 1 of 6

Transit Option

- Transit System N/C

Offset Option

See Chart 1 on page 6

- Offset Frame N/C
Not available with 0 and -1 Sling Positions

Seat Option

- Growing Seat Sling N/C
Growing Solid Seat Pan \*\* \$265
Omit Seat N/C

Sling Position

With 0 Sling Position, sling is approximately 4" from front down tube.
The 1 and 2 Sling Positions extend the frame in front of the sling by that amount. -1 pushes the seat 1" farther forward. See reference D on page 6 for further detail and restrictions.

- 2 N/C
1 N/C
0 N/C
Not available with Offset Frame
-1 N/C
Not available with Offset Frame

Front Caster Wing

Certain combinations of Seat Depth, Center of Gravity Position and Wheel Size may require a forward facing caster wing

- Forward Facing Wing N/C

Front Frame Bend

Angle between front seat tube and ground. See reference C on page 6.

- 90° N/C
85° N/C
80° N/C

Seat Back Angle

Standard is 90° (perpendicular to floor). Minus (-°) closes back angle. Plus (+°) opens back angle.

- Std +2° +4° +6° +8° +10°
-2° -4° -6° -8° -10°

Spinergy Backrest Release Cable Color

Select desired color. If no selection is made, black will be used.

- Black Red White Blue
Yellow Orange Green Pink

## Backrest

### Back Post / Height Range / Back Height

Select Back Height in row corresponding to desired Back Post and Height Range

Back Post	Height Range	Back Height				
Height Adjustable (Standard or 1" Inward Offset)	Ex. Short <sup>1</sup>	<input type="checkbox"/> 9	<input type="checkbox"/> 10	<input type="checkbox"/> 11	<input type="checkbox"/> 12	
	Short	<input type="checkbox"/> 11 <sup>1</sup>	<input type="checkbox"/> 12	<input type="checkbox"/> 13	<input type="checkbox"/> 14	
	Medium	<input type="checkbox"/> 13	<input type="checkbox"/> 14	<input type="checkbox"/> 15	<input type="checkbox"/> 16	
	Tall	<input type="checkbox"/> 15	<input type="checkbox"/> 16	<input type="checkbox"/> 17	<input type="checkbox"/> 18	
Fixed Height ** (Straight or 1" Inward Offset)		<input type="checkbox"/> 9 <sup>1</sup>	<input type="checkbox"/> 10 <sup>1</sup>	<input type="checkbox"/> 11 <sup>1</sup>	<input type="checkbox"/> 12	<input type="checkbox"/> 13
		<input type="checkbox"/> 14	<input type="checkbox"/> 15	<input type="checkbox"/> 16	<input type="checkbox"/> 17	<input type="checkbox"/> 18
Fixed Height 2" Offset **		<input type="checkbox"/> 11 <sup>1</sup>	<input type="checkbox"/> 12 <sup>1</sup>	<input type="checkbox"/> 13 <sup>1</sup>	<input type="checkbox"/> 14 <sup>1</sup>	
		<input type="checkbox"/> 15	<input type="checkbox"/> 16	<input type="checkbox"/> 17		

<sup>1</sup> Not available with Fold Down Push Handle

### Stroller Handle

Stroller Handles are removable and height adjustable

- Ergo Stroller Handle \*\* \_\_\_\_\_ \$250
- Single Straight Stroller Handle \_\_\_\_\_ N/C
- Double Straight Stroller Handle \*\* \_\_\_\_\_ \$395  
Not available with Push Handles or 8"-10" Seat Widths

### Height Adjustable Back Post Option

Selection required with Height Adjustable Back Post. Each Offset Back Post is offset 1/2" creating 1" overall offset.

- Standard \_\_\_\_\_ N/C
- 1" Inward Offset \_\_\_\_\_ N/C  
Not available with 8" Seat Width

### Fixed Height Back Post Option

Selection required with Fixed Height Back Post. Uses 1" tubes compatible with after-market backs. Not available with back upholstery. 2" Inward or Outward Offset Back Posts are offset 1" creating 2" overall offset. 1" Offset Back Post is offset 1/2" creating 1" overall offset.

- Straight \_\_\_\_\_ N/C
- 1" Inward Offset \_\_\_\_\_ N/C  
Not available with 8" Seat Widths
- 2" Inward Offset \*\* \_\_\_\_\_ \$120  
Not available with 8" or 9" Seat Widths
- 2" Outward Offset \*\* \_\_\_\_\_ \$120  
Not available with Swing Away Armrests or 8" and 9" Seat Widths

### Push Handle

- Omit Push Handle \_\_\_\_\_ N/C
- Standard Push Handle \_\_\_\_\_ N/C
- Fold Down Push Handle \*\* \_\_\_\_\_ \$145  
Not available on Height Adjustable Back Posts with 9"-11" Back Heights or Offset Back Posts with 11" - 14" Back Heights
- Bolt-On Push Handle \*\* \_\_\_\_\_ \$170  
Handles will be 1" - 2" above back height

## Front Seat Height and Casters

### Caster Size / Front Seat Height

Select Front Seat Height in row corresponding to desired Caster Size.

Front Seat Height is measured from floor to top of seat tube at front of seat sling. Adjustable up or down by 1/2". See reference E on page 6.

Caster Size	Front Seat Height														
3"	<input type="checkbox"/> 11.5	<input type="checkbox"/> 12	<input type="checkbox"/> 12.5	<input type="checkbox"/> 13	<input type="checkbox"/> 13.5	<input type="checkbox"/> 14	<input type="checkbox"/> 14.5	<input type="checkbox"/> 15	<input type="checkbox"/> 15.5	<input type="checkbox"/> 16	<input type="checkbox"/> 16.5	<input type="checkbox"/> 17	<input type="checkbox"/> 17.5	<input type="checkbox"/> 18	<input type="checkbox"/> 18.5
4"	<input type="checkbox"/> 12.5	<input type="checkbox"/> 13	<input type="checkbox"/> 13.5	<input type="checkbox"/> 14	<input type="checkbox"/> 14.5	<input type="checkbox"/> 15	<input type="checkbox"/> 15.5	<input type="checkbox"/> 16	<input type="checkbox"/> 16.5	<input type="checkbox"/> 17	<input type="checkbox"/> 17.5	<input type="checkbox"/> 18	<input type="checkbox"/> 18.5	<input type="checkbox"/> 19	<input type="checkbox"/> 19.5
5"	<input type="checkbox"/> 13.5	<input type="checkbox"/> 14	<input type="checkbox"/> 14.5	<input type="checkbox"/> 15	<input type="checkbox"/> 15.5	<input type="checkbox"/> 16	<input type="checkbox"/> 16.5	<input type="checkbox"/> 17	<input type="checkbox"/> 17.5	<input type="checkbox"/> 18	<input type="checkbox"/> 18.5	<input type="checkbox"/> 19	<input type="checkbox"/> 19.5	<input type="checkbox"/> 20	<input type="checkbox"/> 20.5
6"	<input type="checkbox"/> 14.5	<input type="checkbox"/> 15	<input type="checkbox"/> 15.5	<input type="checkbox"/> 16	<input type="checkbox"/> 16.5	<input type="checkbox"/> 17	<input type="checkbox"/> 17.5	<input type="checkbox"/> 18	<input type="checkbox"/> 18.5	<input type="checkbox"/> 19	<input type="checkbox"/> 19.5	<input type="checkbox"/> 20	<input type="checkbox"/> 20.5		

### Caster Type

- .75" Rollerblade \_\_\_\_\_ N/C  
Not available with 5" and 6" Caster Sizes
- .75" Lighted Rollerblade \*\* \_\_\_\_\_ \$88  
Not available with 6" Caster Size
- 1" Poly \_\_\_\_\_ \$63  
Not available with 3" Caster Size
- 1" Poly Aluminum \*\* \_\_\_\_\_ \$145  
Not available with 3" and 6" Caster Sizes
- 1" Pneumatic \_\_\_\_\_ \$100  
Not available with 3", 4" and 5" Caster Sizes
- 1.5" Poly \_\_\_\_\_ N/C
- 1.5" Soft Roll Aluminum \*\* \_\_\_\_\_ \$175

### Fork Options

- Standard Fork \_\_\_\_\_ Std
- Single Sided Fork \*\* \_\_\_\_\_ \$156
- Frog Legs Ultra-Sport Fork - Black \*\* \_\_\_\_\_ \$595  
Not included in Colored Anodizing Package
- Frog Legs PHASE 2 Carbon Fork \*\* \_\_\_\_\_ \$425  
Lightweight shock absorbing fork. Not included in Colored Anodizing Package.

## Footrest

### Footplate

- Aluminum Angle Adjustable \_\_\_\_\_ \$95  
*Not available with Front Seat Heights less than 14.5"*
- Aluminum Angle Adjustable with Riser \_\_\_\_\_ \$190  
*Not available with Front Seat Heights less than 14.5"*
- High Mount Aluminum Angle Adjustable \_\_\_\_\_ \$190
- Angle Adjustable Flip Under \*\* \_\_\_\_\_ \$230  
*Not available with footrest widths less than 9" or with Front Seat Heights less than 15". See reference F on page 6.*
- High Mount Angle Adjustable Flip Under \*\* \_\_\_\_\_ \$265

### Seat to Footrest Length

*Measured from front edge of seat sling to top, rear of footrest. Footrest length at least 2.5" shorter than Front Seat Height recommended. See reference G on page 6.*

<input type="checkbox"/> 5.5"	<input type="checkbox"/> 6"	<input type="checkbox"/> 6.5"	<input type="checkbox"/> 7"
<input type="checkbox"/> 7.5"	<input type="checkbox"/> 8"	<input type="checkbox"/> 8.5"	<input type="checkbox"/> 9"
<input type="checkbox"/> 9.5"	<input type="checkbox"/> 10"	<input type="checkbox"/> 10.5"	<input type="checkbox"/> 11"
<input type="checkbox"/> 11.5"	<input type="checkbox"/> 12"	<input type="checkbox"/> 12.5"	<input type="checkbox"/> 13"
<input type="checkbox"/> 13.5"	<input type="checkbox"/> 14"	<input type="checkbox"/> 14.5"	<input type="checkbox"/> 15"
<input type="checkbox"/> 15.5"	<input type="checkbox"/> 16"	<input type="checkbox"/> 16.5"	<input type="checkbox"/> 17"
<input type="checkbox"/> 17.5"	<input type="checkbox"/> 18"		

## Rear Seat Height and Wheels

### Wheel Size / Rear Seat Height

*Select Rear Seat Height in row corresponding to desired Wheel Size. For proper setup, selection is required when omitting rear wheels. Measured from floor to top of seat tube at front of back post. Rear Seat Height is custom to needs. See reference H on page 6.*

Wheel Size	Rear Seat Height															
18"	<input type="checkbox"/> 11.5 <sup>1</sup>	<input type="checkbox"/> 12	<input type="checkbox"/> 12.5	<input type="checkbox"/> 13	<input type="checkbox"/> 13.5	<input type="checkbox"/> 14	<input type="checkbox"/> 14.5	<input type="checkbox"/> 15	<input type="checkbox"/> 15.5	<input type="checkbox"/> 16	<input type="checkbox"/> 16.5	<input type="checkbox"/> 17	<input type="checkbox"/> 17.5	<input type="checkbox"/> 18	<input type="checkbox"/> 18.5	<input type="checkbox"/> 19
20"	<input type="checkbox"/> 12.5 <sup>1</sup>	<input type="checkbox"/> 13	<input type="checkbox"/> 13.5	<input type="checkbox"/> 14	<input type="checkbox"/> 14.5	<input type="checkbox"/> 15	<input type="checkbox"/> 15.5	<input type="checkbox"/> 16	<input type="checkbox"/> 16.5	<input type="checkbox"/> 17	<input type="checkbox"/> 17.5	<input type="checkbox"/> 18	<input type="checkbox"/> 18.5	<input type="checkbox"/> 19	<input type="checkbox"/> 19.5	<input type="checkbox"/> 20
22"	<input type="checkbox"/> 13.5 <sup>1</sup>	<input type="checkbox"/> 14	<input type="checkbox"/> 14.5	<input type="checkbox"/> 15	<input type="checkbox"/> 15.5	<input type="checkbox"/> 16	<input type="checkbox"/> 16.5	<input type="checkbox"/> 17	<input type="checkbox"/> 17.5	<input type="checkbox"/> 18	<input type="checkbox"/> 18.5	<input type="checkbox"/> 19	<input type="checkbox"/> 19.5	<input type="checkbox"/> 20		
24"	<input type="checkbox"/> 14.5 <sup>1</sup>	<input type="checkbox"/> 15	<input type="checkbox"/> 15.5	<input type="checkbox"/> 16	<input type="checkbox"/> 16.5	<input type="checkbox"/> 17	<input type="checkbox"/> 17.5	<input type="checkbox"/> 18	<input type="checkbox"/> 18.5	<input type="checkbox"/> 19	<input type="checkbox"/> 19.5	<input type="checkbox"/> 20				

<sup>1</sup> Available only with Low Profile Rear Tire Type

### One Arm Drive

- One Arm Drive \_\_\_\_\_ \$1495  
*Available only with 20", 22" and 24" Mag wheels. Not available with 0°, 6° and 8° camber or Seat Widths less than 10". 2° Camber required with One Arm Drive and Height Adjustable T-Arm combination. Axle not quick release. Standard Handrim will be Aluminum Anodized.*
- Drive Handrim Side:  Left  Right
- Drive Handrim Type:  Aluminum \_\_\_\_\_ N/C  
 Poly Coated \_\_\_\_\_ \$200

### Rear Wheel Type

- Spoke \_\_\_\_\_ N/C
- Mag (Black) \_\_\_\_\_ N/C  
*Not available in 18" rear wheel*
- Colored Mag \*\* \_\_\_\_\_ \$135  
*Available only in 20" and 22" rear wheels*  
Color:  Florescent Red  White  Blue  Pink
- Spinergy Spox \*\* \_\_\_\_\_ \$795  
*Not available in 18" rear wheel*  
Color:  Black  Red  White  Blue  Yellow  
Handrim:  Short Tab  Long Tab  
*Available only with Aluminum Anodized and Plastic Coated Handrims*
- Spinergy LX \*\* \_\_\_\_\_ \$995  
*Not available in 18" or 20" rear wheels*  
Color:  Black  Red  White  Blue  Yellow  
 Pink  Green  Orange  
Handrim:  Short Tab  Long Tab  
*Available only with Aluminum Anodized and Plastic Coated Handrims*
- Omit Rear Wheels \_\_\_\_\_ N/C

### Rear Tire Type

#### Full Profile

- Street Pneumatic 1 3/8" \_\_\_\_\_ Std
- Full Poly 1 3/8" \_\_\_\_\_ N/C
- Pneumatic with Airless Insert 1 3/8" \*\* \_\_\_\_\_ \$200

#### Low Profile

- Low Poly 1" \_\_\_\_\_ \$90
- Sentinel Solid Tire 1" \*\* \_\_\_\_\_ \$120  
*Not available on 18" rear wheel or 20" and 22" Mag wheels*
- High Pressure 1" \*\* \_\_\_\_\_ \$119  
*Not available on Mag or 18" rear wheel*
- Schwalbe Marathon Plus Evolution 1" \*\* \_\_\_\_\_ \$130  
*Available only on 24" Spoke or Spinergy wheels*

### Handrim

*No selection needed with One Arm Drive*

#### Standard Handrims

- Aluminum Anodized \_\_\_\_\_ Std
- Plastic Coated \_\_\_\_\_ \$119
- Projection (8 Vertical Projections) \*\* \_\_\_\_\_ \$299  
*Available on 22" and 24" Spoke rear wheels & 24" Mag wheels with full tires*
- Omit Handrim \_\_\_\_\_ N/C

#### Natural Fit Handrims

*Not available on 18" or 20" rear wheels or 22" Mag wheels. Not recommended with Mag wheels.*

- Natural Fit LT Regular Grip \*\* \_\_\_\_\_ \$445
- Natural Fit Standard Regular Grip \*\* \_\_\_\_\_ \$445
- Natural Fit LT Super Grip \*\* \_\_\_\_\_ \$495
- Natural Fit Standard Super Grip \*\* \_\_\_\_\_ \$495
- Natural Fit LT Omit Grip \*\* \_\_\_\_\_ \$345
- Natural Fit Standard Omit Grip \*\* \_\_\_\_\_ \$345

### Handrim Option

- 3M Micro Grip \*\* \_\_\_\_\_ \$81  
*Not available on Plastic Coated or Projection Handrims*

## Rear Seat Height and Wheels continued

### Rear Wheel Spacing

Adjustable up to .5" outward. Minimum spacing with offset frame is 1.25" with 0° camber, 1" with 2° or 4° camber and .75" with 6° or 8° camber. .75" minimum with 0° camber on standard frame. No selection needed with One Arm Drive. See Reference J on page 6.

- .5"    .75"    1"    1.25"    1.5"    1.75"

### Rear Wheel Camber

0° Camber and Mag wheel combination requires 1" minimum Rear Wheel Spacing

- 0°    2°    4°    6°    8°

### Center of Gravity Preset

Measured from front of back post to center of rear axle. 0" indicates axle will be directly under back post. 2" minimum Center of Gravity with 5th Wheel and One Arm Drive. See reference I on page 6.

#### Amputee Positions

<input type="checkbox"/> -1.5"	<input type="checkbox"/> -1.25"	<input type="checkbox"/> -1"	<input type="checkbox"/> -.75"
<input type="checkbox"/> -.5"	<input type="checkbox"/> -.25"	<input type="checkbox"/> 0"	<input type="checkbox"/> .25"

#### Standard Positions

<input type="checkbox"/> .5"	<input type="checkbox"/> .75"	<input type="checkbox"/> 1"	<input type="checkbox"/> 1.25"
<input type="checkbox"/> 1.5"	<input type="checkbox"/> 1.75"	<input type="checkbox"/> 2"	<input type="checkbox"/> 2.25"
<input type="checkbox"/> 2.5"	<input type="checkbox"/> 2.75"	<input type="checkbox"/> 3"	<input type="checkbox"/> 3.25"
<input type="checkbox"/> 3.5"	<input type="checkbox"/> 3.75"	<input type="checkbox"/> 4"	<input type="checkbox"/> 4.25"

### Axle

- Quick Release \_\_\_\_\_ Std  
 Quad Quick Release \*\* \_\_\_\_\_ \$219  
*Not available with Mag wheels*

## Wheel Locks

### Wheel Lock

- Push to Lock \_\_\_\_\_ Std  
 Push to Lock Flush Mount \_\_\_\_\_ N/C  
*Not available with Seat Depths less than 11" or Offset Frame*  
 Pull to Lock \_\_\_\_\_ N/C  
 Low Profile Scissor Lock \_\_\_\_\_ \$25  
*Not available with Low Poly, Full Poly, Sentinel tires or Offset Hangers*  
 Short Thro Scissor Lock \*\* \_\_\_\_\_ \$156  
 Omit Wheel Locks \_\_\_\_\_ N/C

### Wheel Lock Options

- Extension Handles \_\_\_\_\_ \$60  
*Available only with Push to Lock or Pull to Lock Wheel Locks*  
 Grade Aids \_\_\_\_\_ \$187  
*Available only with Push to Lock Wheel Locks and Pneumatic or Pneumatic w/ Airless Insert Rear Tire Types. Clinical justification required.*

## Armrests

### Armrest Please select Arm Pad option

- Height Adjustable T-Arm (8.5" - 13.5") \_\_\_\_\_ \$285  
*Not available with Seat Depths less than 13". 16" minimum Seat Depth with Offset Frame. 1.25" minimum Rear Wheel Spacing.*  
 Height Adjustable T-Arm Low (7.5" - 11.5") \_\_\_\_\_ \$285  
*Not available with Seat Depths less than 12". 13" minimum Seat Depth with Offset Frame. 1.25" minimum Rear Wheel Spacing.*  
 Height Adjustable Pediatric Desk (6.5" - 10") \_\_\_\_\_ N/C  
*Not available with Seat Depths less than 12". 13" minimum Seat Depth with Offset Frame. 1.25" minimum Rear Wheel Spacing.*  
 Angle Adjustable Locking Extendable Flip Up \*\* \_\_\_\_\_ \$295  
*Requires Fixed Height Backrest. Not available with backrest heights less than 12".*

### Arm Pad

**Not available with Tubular Flip Up or Swing Away Armrests. Full Arm Pads not available with Height Adjustable Pediatric Desk Armrests.**

- Standard Arm Pad \_\_\_\_\_ N/C    Desk    Full  
 Waterfall Arm Pad \*\* \_\_\_\_\_ \$35    Desk    Full  
*Not available with Angle Adjustable Locking Flip Up Extendable Armrests*  
 Foam Grip \_\_\_\_\_ N/C    Desk    Full  
*Available only with Angle Adjustable Locking Extendable Flip Up Armrest*

### Armrest continued

- Tubular Flip Up \_\_\_\_\_ \$50  
*Not available with Arm Pads and Back Heights less than 13". Requires Fixed Height Backrest.*  
 Short Swing Away (7" - 9") \_\_\_\_\_ \$215  
*Not available with Arm Pads or Outward Offset Back Posts. If selection is not available with rear wheel and rear seat height configuration, then Tall Swing Away armrest will be used.*  
 Tall Swing Away (9.25" - 11.25") \_\_\_\_\_ \$215  
*Not available with Arm Pads or Outward Offset Back Posts*  
 Omit Armrests \_\_\_\_\_ N/C

## Side Guards

### Removable Side Guards

**Not available with Height Adjustable Armrests**

- Composite Side Guards - Adult (14" - 16") \_\_\_\_\_ \$160  
*Seat Depth plus Sling Position must be at least 12"*  
 Composite Side Guards - Pediatric (10" - 14") \_\_\_\_\_ \$155  
*Seat Depth plus Sling Position must be at least 10"*  
 Fender Side Guards \*\* \_\_\_\_\_ \$350  
*Not available with 18 rear wheel, Rear Seat Heights less than 18" or Seat Depths less than 10". Maximum Center of Gravity is 2".*

## Accessories

### 5th Wheel

*Rotating removable rear caster. Not available with Anti-Tips.*

- Standard 5th Wheel \*\* \_\_\_\_\_ \$235
  - Dynamic 5th Wheel \*\* \_\_\_\_\_ \$255
- Elastomer:  Soft  Firm

*Both elastomers are included; the selected elastomer will be installed*

### Anti-Tip

*Not available with 5th wheel*

- Rear Anti-Tips \_\_\_\_\_ \$128

### Positioning Belt

- 1" Auto Buckle \_\_\_\_\_ \$80  
*Generic = \$22*
- 1" Padded Auto Buckle \*\* \_\_\_\_\_ \$170
- 1 1/2" Auto Buckle \*\* \_\_\_\_\_ \$80
- 1 1/2" Padded Auto Buckle \*\* \_\_\_\_\_ \$170
- 2" Airline Buckle \*\* \_\_\_\_\_ \$150
- Bodypoint Evoflex - Pelvic Stabilizer \*\* \_\_\_\_\_ \$219  
Size:  Small (16-24")  Medium (19-29")  Large (25-37")

### Belt Mounting Kit

- Ki Mobility Belt Mounting Clamp \_\_\_\_\_ \$75

## Color

### Frame and Accent

*Select desired frame and accent colors. Accent color is used on backrest rigidizer bar and front caster wings; if no accent color is selected, frame color will be used.*

Gloss Finish		Frame	Accent
Black _____	N/C	<input type="checkbox"/>	<input type="checkbox"/>
Blue _____	N/C	<input type="checkbox"/>	<input type="checkbox"/>

### Calf Strap

*Not available with 8" or 9" wide chairs*

- Velcro Adjustable \_\_\_\_\_ \$59
- Padded Velcro Adjustable \*\* \_\_\_\_\_ \$85
- Bodypoint Padded AeroMesh \*\* \_\_\_\_\_ \$123

### Spoke Guards

- Clear Spoke Guards \*\* \_\_\_\_\_ \$144  
*Not available with Mag wheels*
  - Black Spoke Guards \*\* \_\_\_\_\_ \$144  
*Not available with 18" or 20" rear wheels or Mag wheels*
  - Designer Spoke Guards \*\* \_\_\_\_\_ \$275  
*Available only with 20" and 22" rear wheels. Not available with Mag wheels.*
- Design:**
- Blue Monster  Fairy Garden  Havin' a Hoot
  - Robo Fun  Rockin' Reptiles  Super Puppies
  - Tutu Cute  Tuxedo Time

### Other Accessories

- Tool Kit \*\* \_\_\_\_\_ \$60
- Removable Underseat Pouch \*\* \_\_\_\_\_ \$75
- Pediatric Ki Mobility Backpack \*\* \_\_\_\_\_ \$90  
*Best fit on chairs more than 8" wide*
- Ki Mobility Backpack \*\* \_\_\_\_\_ \$90  
*Best fit on chairs more than 10" wide*
- Luggage Carrier \*\* \_\_\_\_\_ \$120
- Cane and Crutch Holder \*\* \_\_\_\_\_ \$110

### Colored Anodizing Package

*Select desired color. If no selection is made, black will be used. Included in Colored Anodizing Package: Backrest plates, camber tube, towers, CG clamps, side guard receivers, front caster forks (standard or unitine) and Dynamic 5th Wheel split clamp.*

- Black \_\_\_\_\_ N/C
- Blue \*\* \_\_\_\_\_ \$245
- Bright Green \*\* \_\_\_\_\_ \$245
- Orange \*\* \_\_\_\_\_ \$245
- Pewter \*\* \_\_\_\_\_ \$245
- Pink \*\* \_\_\_\_\_ \$245
- Purple \*\* \_\_\_\_\_ \$245
- Red \*\* \_\_\_\_\_ \$245
- Gold \*\* \_\_\_\_\_ \$245

**References**

**A. Seat Width** See Diagram 1

Measured from outside of frame tube on one side to outside of frame tube on other side.

**B. Seat Depth** See Diagram 3

Measured from front of back posts to front edge of seat sling. Seat sling starts at beginning of bend at front of frame.

**C. Front Frame Bend** See Diagram 3

Angle between front seat tube and ground.

**D. Sling Position** See Diagram 2

With 0 Sling Position, sling is approximately 4" from the front tube. The 1" and 2" Sling Positions extend the frame in front of the sling by that amount. -1 pushes the seat 1" farther forward. See Charts 1 and 2 for more detail.

**E. Front Seat Height** See Diagram 1

Measured from floor to top of seat tube at front of seat sling.

**F. Footrest Width** See Diagram 1

Measured from inside of front tube to inside of front tube on other side. Footrest width is listed below for each seat width. See Chart 1 for more detail.

**G. Seat to Footrest Length** See Diagram 3

Measured from front edge of seat sling to top of rear of footrest. Footrest length of at least 2.5" shorter than front seat height recommended.

**H. Rear Seat Height** See Diagram 3

Measured from floor to top of seat tube at front of back post. Rear seat height is custom to needs.

**I. Center of Gravity Preset** See Diagram 3

Measured from front of back post to center of rear axle. 0" indicates axle will be directly under back post.

**J. Rear Wheel Spacing** See Diagram 1

Measured from outside of seat back to inside of rear tire. Adjustable up to .5" outward.

Diagram 1

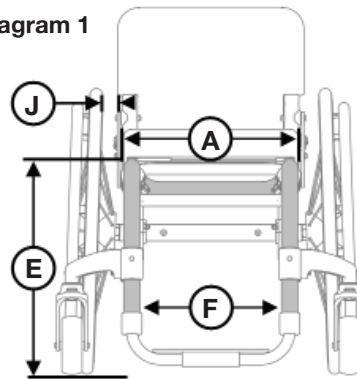


Diagram 2

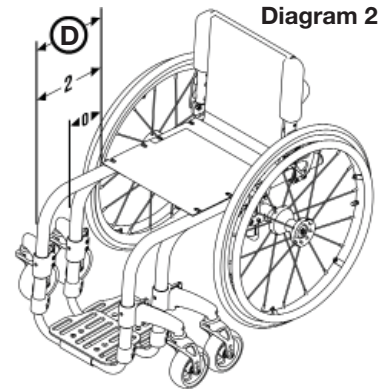


Diagram 3

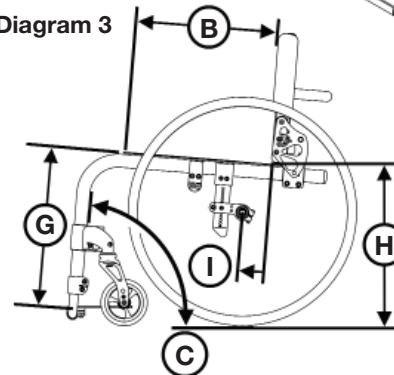


Chart 1

Seat Width	F. Footrest Width	
	Straight Frame (Diagram 1)	Offset Frame
8"	5.75"	9"
9"	6.75"	10"
10"	7.75"	11"
11"	8.75"	12"
12"	9.75"	13"
13"	10.75"	14"
14"	11.75"	15"
15"	12.75"	16"
16"	13.75"	17"

Chart 2

Sling Position / Adjustable Depth / Seat Depth Compatibility									
Sling Position	-1", 0"			1"			2"		
	1"	2"	3"	1"	2"	3"	1"	2"	3"
Seat Depth	14"								X
	15"					X		X	X
	16"			X		X	X	X	X

"X" indicates Sling Position, Adjustable Depth and Seat Depth combination is not available.  
 -1" Sling Position, 0" Adjustable Depth and 8" - 13" Seat Depths have no restrictions.