



QUANTUM REHAB

MEDmobility

5711- Calgary Trail NW
Edmonton AB T6H 2K1
P: 780-437-3300
F: 780-430-9381
www.medmobility.ca

FOR AADL USE ONLY

Quantum Rehab®

A Division of Pride Mobility Products Corporation®

5096 South Service Rd.
Beamsville, Ontario, L0R 1B3

AADL J6 Order Form 300 lbs. weight capacity



Date: _____

PO#: _____

Account Number: _____

Bill To: _____

Address: _____

Phone Contact: _____

Ship To: _____

Address: _____

Marked For: _____

Discount: _____

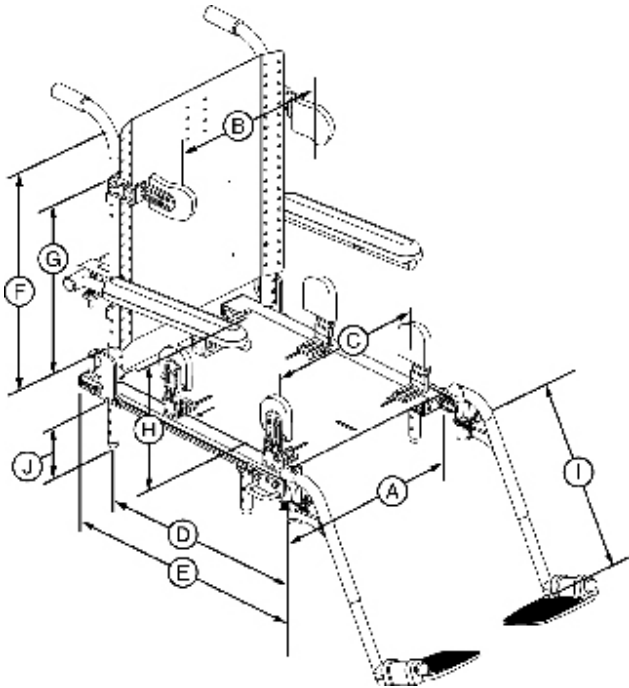
Terms: _____

Freight: _____

* Please always use the www.pridemobility.com to access the most current version of this form.

SPECIFIED DIMENSIONS*

Please supply patient information for optimal setup prior to shipping.



Client Height: _____

Client Weight: _____

A. Seat Width: _____

B. Lateral Offset: _____

C. Hip/Thigh Lateral Offset: _____

D. Center of Gravity: *Optimized based on seat dimensions*

E. Seat Depth: _____

F. Back Height from Pan: _____

G. Lateral Height from Pan: _____

H. Armrest Height from Pan: _____

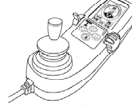


I. Rigging Length (whole numbers only): _____

J. Seat to Floor Height: _____

Clinician Notes: _____

* While every effort will be taken to ensure items will be preset to your specifications prior to shipping, variations in options may effect final settings.

All prices are MSRP.

BASE MODEL		EXPANDABLE CONTROLS ⁵	
Description	Price	Description	Price
<input type="checkbox"/> J6	\$4,510	<input type="checkbox"/> Q-Logic 2 EX Joystick	\$620
COLOR			
<input type="checkbox"/> Jazzy Red		<input type="checkbox"/> Q-Logic 2 EX Joystick for Lights	\$620
<input type="checkbox"/> Jazzy Blue		<i>Required For LED Light Package</i>	
DRIVE WHEELS			
<input type="checkbox"/> 10" Solid (pair)		Std	
<input type="checkbox"/> 10" Pneumatic (pair)		NC	
BASE MOUNTED FOOT PLATFORM		<input type="checkbox"/> Q-Logic 2 EX Stand Alone Joystick	\$410
<input type="checkbox"/> Base Mounted Foot Platform		Std	
<input type="checkbox"/> No Base Mounted Front Platform		NC	
POWER ELEVATING SEAT¹ (Not covered by AADL)		<input type="checkbox"/> Q-Logic 2 EX Enhanced Display Kit ^{2,3,4}	\$1,945
<input type="checkbox"/> Power Elevating Seat Through VSI 6-Key ¹	\$840	KIT137987	
		Includes:	
		- Q-Logic 2 EX Enhanced Display	
		- Flexible Gooseneck	
		- Enhanced Display Mounting Bracket	
		All mounting hardware is included in kit. See Specialty Electronics order form for additional mounting options and secondary controls. Bluetooth mouse emulator requires a run plug harness for either static or power seating. Additional fees will apply.	
		Please use and attach the Specialty Electronics order form for additional controls and mounting options.	
BATTERY CHARGER		JOYSTICK HANDLES	
<input type="checkbox"/> 5 Amp Offboard		Std	
<input type="checkbox"/> 5 Amp Offboard		Std	
LED LIGHT PACKAGE⁵		<input type="checkbox"/> Standard Knob	Std
<input type="checkbox"/> Through Q-Logic 2 EX w/ Lights <i>Option is not covered by AADL</i>		\$835	
<input type="checkbox"/> Through Q-Logic 2 EX w/ Lights <i>Option is not covered by AADL</i>		\$835	
NON-EXPANDABLE CONTROLS⁵		<input type="checkbox"/> Mushroom Handle	\$55
<input type="checkbox"/> 75 Amp NE+ 6-Key	Std.	<input type="checkbox"/> T-Bar	\$90
		<input type="checkbox"/> Chin Cup	\$55
		<input type="checkbox"/> Extended I-Handle	\$55
		<input type="checkbox"/> Soft Ball Handle	\$55
		<input type="checkbox"/> Medium Ball Handle	\$55
		<input type="checkbox"/> 3" Goal Post Handle	\$55
		<input type="checkbox"/> 4" Goal Post Handle	\$55
		JOYSTICK MOUNTING BRACKETS	
		<input type="checkbox"/> Fixed Inline	N/A with Stand Alone Joystick
		<input type="checkbox"/> Left	<input type="checkbox"/> Right
		<input type="checkbox"/> Swing-away	\$265
		<input type="checkbox"/> Left	<input type="checkbox"/> Right
		<input type="checkbox"/> Inline	
		<input type="checkbox"/> Multi-axis Fixed	\$210
		<input type="checkbox"/> Left	<input type="checkbox"/> Right
		<i>(Fixed configuration. Does not swing away)</i>	
FOOTNOTES			
1. Only Available with VSI 6-Key Joystick. Not available with Manual Recliner, Synergy Manual Tilt, Synergy Manual Recline, Vent Tray, TB Tilt or Power Positioning Components. Includes 1/4 Speed Inhibit. Raises Seat-To-Floor Height.			
2. All mounting hardware is included in kit.			
3. See Specialty Electronics order form for additional mounting options and secondary controls.			
4. Bluetooth mouse emulator requires a run plug harness for either static or power seating. Additional fees will apply.			
5. Not available with Power Elevating Seat.			

ADJUSTABLE CENTER MOUNT FOOT PLATFORM

FRONT RIGGING ACCESSORIES

Description	Price
<input type="checkbox"/> 10"W-20"W Adjustable Center Mount Foot Platform	\$580
<i>Extensions:</i>	
<input type="checkbox"/> 8-12"L Pediatric	
<input type="checkbox"/> 10-16"L	
<input type="checkbox"/> 13-19"L	
<i>Footplates:</i>	
<input type="checkbox"/> 5"W x 6"D	
<input type="checkbox"/> 5"W x 8"D	
<input type="checkbox"/> 5"W x 11"D ¹	
<i>Set Legrest Length:</i>	
LL85 <input type="checkbox"/> 8.5"H	LL9 <input type="checkbox"/> 9"H
LL10 <input type="checkbox"/> 10"H	LL135 <input type="checkbox"/> 13.5"H
LL105 <input type="checkbox"/> 10.5"H	LL14 <input type="checkbox"/> 14"H
LL11 <input type="checkbox"/> 11"H	LL145 <input type="checkbox"/> 14.5"H
LL115 <input type="checkbox"/> 11.5"H	LL15 <input type="checkbox"/> 15"H
LL12 <input type="checkbox"/> 12"H	LL155 <input type="checkbox"/> 15.5"H
LL125 <input type="checkbox"/> 12.5"H	LL16 <input type="checkbox"/> 16"H
LL13 <input type="checkbox"/> 13"H	LL19 <input type="checkbox"/> 19"H
<i>Calf Supports:</i>	
<input type="checkbox"/> Calf Pads (pair)	
<input type="checkbox"/> Small (6"H x 6"W)	\$210
<input type="checkbox"/> Large (8"H x 8"W, tapered to 6"W)	\$210
<input type="checkbox"/> Calf Panel (ea.)	
<input type="checkbox"/> Small (8"H x 18"W)	\$210
<input type="checkbox"/> Large (8"H x 24"W) ²	\$265
<i>Calf Support Covers (1/2" Soft Visco Foam):</i>	
<input type="checkbox"/> Air Mesh	\$150
<input type="checkbox"/> Reversed Dartex	\$150
<i>Optional Extensions & Accessories:</i>	
<input type="checkbox"/> 4" Width Extension Kit ³	\$55
<input type="checkbox"/> 2" Bell Shaped, Length Extension Kit ⁴	\$55
<input type="checkbox"/> Footplate Outside Edge Side Guards	\$55
<input type="checkbox"/> 4"D ⁵ <input type="checkbox"/> 6"D ³	
<input type="checkbox"/> Footplate Connector	\$55
<input type="checkbox"/> Wheel Bumpers	\$30

1. Not available with 8-12"L Pediatric lower extension
 2. Only available on 20"W or greater.
 3. Not available with 5"W x 6"D Footplates
 4. Not available with 4" Width Extension Kit
 5. Not available with 5"W x 11"D Footplates

POWER POSITIONING ELECTRONICS⁸

Single Actuator Electronics	
<input type="checkbox"/> Through Toggle Box (<i>Tilt Only</i>)	NC
<input type="checkbox"/> Left Mount <input type="checkbox"/> Right Mount	
<input type="checkbox"/> Through NE+ 6-Key	NC
<input type="checkbox"/> Through Q-Logic EX Controller	\$345
Dual Actuator Electronics	
<input type="checkbox"/> Through NE+ 6-Key Controller	NC
Multiple Actuator Electronics	
<input type="checkbox"/> Through Q-Logic EX Controller	\$345
<input type="checkbox"/> Q-Logic EX Through 4-way Toggle	\$660
<input type="checkbox"/> Left Mount <input type="checkbox"/> Right Mount	
<input type="checkbox"/> Q-Logic EX Through 4-way Button Toggle	\$660
<input type="checkbox"/> Left Mount <input type="checkbox"/> Right Mount	
<input type="checkbox"/> Q-Logic EX Through Quad Push-button	\$660
<input type="checkbox"/> Left Mount <input type="checkbox"/> Right Mount	

Description	Price
<input type="checkbox"/> Wheel Bumpers	\$25
<input type="checkbox"/> Heel Loops (pair) ²	\$30

ACCESSORIES

<input type="checkbox"/> Rear Basket ⁶ <i>Not covered by AADL</i>	\$130
<input type="checkbox"/> Cane/Crutch Holder ⁶ <i>Not covered by AADL</i>	\$130
<input type="checkbox"/> Oxygen Holder <i>Contoured Seating</i> ⁶	\$90
<input type="checkbox"/> Oxygen Holder <i>Synergy Seat</i> ⁵	\$90
<input type="checkbox"/> Walker Holder ⁶ <i>Not covered by AADL</i>	\$130
<input type="checkbox"/> Flag Holder <i>Not covered by AADL</i>	\$35
<input type="checkbox"/> Stroller Handle <i>Manual Tilt Only Not covered by AADL</i>	\$90
<input type="checkbox"/> Weather Cover, Medium, Black <i>Not covered by AADL</i>	\$240
<input type="checkbox"/> Cup Holder <i>Not covered by AADL</i>	\$35
<input type="checkbox"/> Left <input type="checkbox"/> Right	
<input type="checkbox"/> Saddle Bag <i>Not covered by AADL</i>	\$30
<input type="checkbox"/> Quantum Back Pack ⁷ <i>Not covered by AADL</i>	\$65

LAP BELTS

<input type="checkbox"/> 38" Lap Belt	NC
<input type="checkbox"/> 50" Lap Belt	Std
<input type="checkbox"/> 60" Lap Belt	NC
<input type="checkbox"/> 70" Lap Belt	NC
<input type="checkbox"/> 80" Lap Belt	NC
<input type="checkbox"/> 90" Lap Belt	NC

BATTERIES

<input type="checkbox"/> U-1, 32 Amp, Gel	\$190 ea
---	----------

LOWEST SEAT-TO-FLOOR HEIGHTS³

Seating	Lowest Seat-To-Floor
Synergy Seat	16.625"
TB Tilt	16.875"