



AADL #W131 - Kids
AADL #W127 - Adult

Quickie LXI
EILXI

For Alberta Aids to Daily Living

MEDmobility

5711- Calgary Trail NW
Edmonton AB T6H 2K1
P: 780-437-3300
F: 780-430-9381
www.medmobility.ca



January 01, 2014



ACCOUNT #: _____ SHIP TO: _____
 DATE: _____ NAME: _____
 P.O. #: _____ ADDRESS: _____
 CITY: _____ PROVINCE: _____
 POSTAL CODE: _____ PHONE #: _____
 BUYER: _____ MARKED FOR: _____

Product Info ▶

BASE MODEL

- 065WM31 Quickie LXI (Adjustable Axle Plate) \$2,190.00
 WMA3QU405 265 lb. Weight Capacity

TRANSIT OPTION

- 065TO1 Transit System * \$335.00
 Includes Stabilizer Bar, only available on LXI
 NA with padded swing-away armrest or stroller handles.

FRAME WIDTH

- 065W3 12" NC
 065W4 13" NC
 065W5 14" NC
 065W6 15" NC
 065W7 16" NC
 065W8 17" NC
 065W9 18" NC
 065W10 WAMA 19" \$255.00
 065W11 WAMA 20" \$255.00

SEAT DEPTH

- 065SD5 12" NA w/ 8" casters or 24" wheels NC
 065SD6 13" NA w/ 8" casters or 24" wheels NC
 065SD7 14" NA w/ 8" casters or 24" wheels NC
 065SD8 15" NC
 065SD9 16" NC
 065SD10 17" NC
 065SD11 18" NC
 065SD12 WAMB 19" \$255.00
 065SD13 WAMB 20" \$255.00

FRONT SEAT HEIGHT

Rear STFH ranges from 0" to 1 1/2" lower than Front STFH

- 065SH12 15" NC
 065SH13 15.5" NC
 065SH14 16" NC
 065SH15 16.5" NC
 065SH16 17" NC
 065SH17 17.5" NC
 065SH18 18" NC
 065SH20 18.5" NC
 065SH21 19" NC
 065SH23 19.5" NC
 065SH24 20" NC
 065SH26 20.5" NC

* Options marked by an asterisk are not covered by AADL and are the client's financial responsibility.

FRONT SEAT TO FLOOR HEIGHT MATRIX

Heights are based on an LXI w/ adjustable axle plate only

Wheel	FRONT SEAT HEIGHT ORDERING GUIDE			
	Caster			
	4"	5"	6"	8" POLY 8"x2"PNU
20"	15.0	15.0	16.0	18.0
	15.5	16.0	16.5	
	16.0	16.5	17.0	
	16.5	17.0	17.5	
	17.0	17.5	18.0	
	17.5	18.0		
22"	18.0			
	16.0	16.0	16.0	18.5
	16.5	16.5	16.5	19.0
	17.0	17.0	17.0	
	17.5	17.5	17.5	
	18.0	18.0	18.0	
24"	18.5	18.5	18.5	
	19.0	19.0	19.0	
	17.00	17.0	17.0	18.5
	17.50	17.5	17.5	19.0
	18.00	18.0	18.0	19.5
	18.50	18.5	18.5	20.0
25"	19.00	19.0	19.0	
	19.50	19.5	19.5	
	20.0	20.0	20.0	
	17.00	17.0	17.0	18.5
	17.50	17.5	17.5	19.0
	18.00	18.0	18.0	19.5
26"	18.50	18.5	18.5	20.0
	19.00	19.0	19.0	20.5
	19.50	19.5	19.5	20.0
	20.0	20.0	20.0	20.5
	20.5	20.5	20.5	
	20.5	20.5	20.5	

CASTERS

- 065CW3 4" Low Profile Polyurethane NC
 065CW31 4" Micro Lighted \$90.00
 065CW72 4" x 1" Aluminum * \$60.00
 065CW44 4" x 1.25" Semi Pneumatic \$60.00
 065CW64 4" x 1.5" Aluminum Soft Roll * \$60.00
 065CW5 5" Low Profile Polyurethane NC
 065CW51 5" Micro Lighted \$90.00
 065CW65 5" x 1" Aluminum Polyurethane * \$90.00
 065CW7 5" x 1.5" Semi Pneumatic \$90.00
 065CW54 5" x 1.5" Semi Pneumatic Soft Roll \$90.00
 065CW66 5" x 1.5" Aluminum Soft Rolls * \$90.00
 065CW34 6" Polyurethane NC
 065CW33 6" Pneumatic \$90.00
 065CW35 6" x 1.5" Semi-Pneumatic \$90.00
 065CW68 6" x 1.5" Aluminum Soft Rolls * \$90.00
 065CW16 7" Polyurethane NC
 065CW32 8" Polyurethane NC
 065CW21 8" Pneumatic \$120.00
 065CW39 8" x 1.5" Semi - Pneumatic \$120.00
 065CW36 8" x 2" Pneumatic \$205.00
 065CW37 8" x 2" Pneumatic w/Airless Insert * \$325.00

CASTER OPTIONS

- 065CS3 Caster Pin Locks \$125.00
NA w/ 8" x 2" caster

HANGER

- 065H85 60° Swing In/Out Hanger NC
- 065H86 70° Swing In/Out Hanger NC
- 065H91 90° Swing In/Out Hanger NC
*Not available with 8" casters.
Pull-to-lock wheel locks recommended.*
- 065H24 **WAMK** Articulating (15"-20" W) \$435.00
Not available with high-push wheel locks.
- 065H14 **WAMK** Elevating (14 -20" W) \$280.00
*Pull-to-lock wheel locks recommended.
Only available with aluminum and angle adjustable footplates.*
- 065A500 Velcro Gel Cover for Hanger/Frame * \$135.00
- 065H32 Omit Hanger -\$18.00

EXTENSION TUBE

- 065E1 Short (See Matrix for Lengths) NC
Not available with 90° hangers and elevating legrest.
- 065E2 Medium (See Matrix for Length) NC
Only available on 12"-16" frame widths.
- 065E5 Long (See Matrix for Length) NC
Not available with 90° hangers and elevating legrest.
- 065E14 Regular ELR NC
- 065E15 Long ELR NC
- 065E16 High Mount \$80.00
*Only available with kids and angle adj footplates.
Only available with 60° or 70° degree hanger.*

FOOTPLATE OPTIONS

- 065HL1 Heel Loop NC
- 065HL5 Leg Strap NC
- 065HL4 Omit Heel Loop NC
- 065HL6 Omit Leg Strap NC

FOOTPLATE (Heel loop or leg strap not included, see Footplate Options)

- 065F1 Composite w/Heel Loops 14"-20" W NC
*Only available with 60°, 70°
and articulating legrests.*
- 065F48 Platform Flip w/Leg Straps, 14"-20"W \$190.00
Only available with 60°, 70°
- 065F5 Aluminum NC
Only available with elevating hangers.
- 065F3 **WAMJ** Adult Angle Adj. w/Heel Loops \$145.00
Not available with elevating legrest.
- 065F4 **WAMJ** Kids Angle Adj. w/Leg Straps NC
*Not available elevating legrest.
Only available on 12"-16" frame widths.*
- 065F7 Omit Footplate & Extension Tube -\$16.00

SEAT SLING TO TOP OF FOOTREST

60° Swing- Away	Short Ext.	11 ^{1/2} - 15 ^{1/4}
60° Swing- Away	Medium Ext.	14 - 17 ^{3/4}
60° Swing- Away	Long Ext.	16 ^{1/2} - 20 ^{1/4}
60° Platform Flip-Up	Short Ext.	11 ^{1/2} - 15 ^{7/8}
60° Platform Flip-Up	Medium Ext.	14 - 18
60° Platform Flip-Up	Long Ext.	16 ^{1/2} - 20 ^{1/2}
70° Swing- Away	Short Ext.	11 ^{1/2} - 15 ^{1/4}
70° Swing- Away	Medium Ext.	14 - 17 ^{3/4}
70° Swing- Away	Long Ext.	16 ^{1/2} - 20 ^{1/4}
70° Platform Flip-Up	Short Ext.	11 ^{1/8} - 14 ^{7/8}
70° Platform Flip-Up	Medium Ext.	15 ^{3/4} - 18 ^{1/2}
70° Platform Flip-Up	Long Ext.	17 ^{3/4} - 20 ^{1/2}

*All adjustment ranges may vary due to seat height restrictions. Recommended 2^{1/2}" footrest clearance to ground surface.

REAR WHEEL

- 065RW3 20" Mag Wheel NC
- 065RW8 22" Mag Wheel NC
- 065RW1 24" Mag Wheel NC
- 065RW4 20" Spoke Wheel * \$265.00
- 065RW9 22" Spoke Wheel * \$265.00
- 065RW2 24" Spoke Wheel * NC
- 065RW50 24" Mountain \$325.00

Rear Tire & Wheel Matrix Quickie LXI Rev U

Tire	Wheel	Mags	Spoke	Spingery SPOX & LX	Mountain Wheels
Pneumatic		20,22,24	20,22,24,25,26	22,24,25,26	
Pneumatic Airless Insert		20,22,24	20,22,24,25,26	22,24,25,26	
Mountain Tire					24
Schwalbe Marathon Plus Evol			22,24,25,26	22,24,25,26	
Kik® Mako Black		24	24,25	24,25	
Knobby V-TRAK by Kenda			24,25	24,25	
Full Poly Tire		20,22,24	20,22,24	22,24	
		22" = 489	24" = 540	25" = 559	26" = 590

REAR WHEEL TIRE

See availability matrix.

- 065RT1 Pneumatic NC
- 065RT2 Pneumatic Airless Insert * \$205.00
- 065RT3 Full Poly NC
- 065RT6 High-Pressure Clincher * \$85.00
- 065RT21 Schwalbe Marathon Plus Evolution * \$130.00
- 065RT22 Kik® Mako Black * \$125.00
- 065RT12 Mountain * NC
- Omit Tire NC

HANDRIM

- 065HR1 Aluminum Anodized NC
- 065HR4 Plastic Coated \$130.00
- 065HR7 Omit Hand Rims NC

PROJECTION HANDRIM

Only available with aluminum handrims. NA w/ Kik tires

- 065HR8 8 Oblique \$120.00

AXLE

- 065AX19 Threaded NC
- 065AX3 Quick Release NC
- 065AX13 Quad Quick Release \$150.00

* Options marked by an asterisk are not covered by AADL and are the client's financial responsibility.

ONE-ARM DRIVE

Only available with Mag Wheels

<input type="checkbox"/>	065AL16 WAML One Arm Drive Adjustable	\$1,145.00
<input type="checkbox"/>	065AO2 Standard Handrim	NC
<input type="checkbox"/>	065HM2 Left Hand Mount	NC
<input type="checkbox"/>	065HM1 Right Hand Mount	NC

BACKREST OPTIONS

<input type="checkbox"/>	065SZ1 Stabilizer Bar *	\$140.00
--------------------------	-------------------------	----------

ANGLE-ADJUSTABLE BACKREST

<input type="checkbox"/>	065BT20 Angle Adjustable Regular Pivot	\$295.00
	<i>Standard with Push Handles.</i>	
	<i>NA with Flip Back or Flip Back Height Adj. Armrests</i>	
<input type="checkbox"/>	065AH1 Angle Adjustable Pivot 3"	NC
<input type="checkbox"/>	065AH2 Angle Adjustable Pivot 4"	NC
<input type="checkbox"/>	065AH3 Angle Adjustable Pivot 5"	NC
<input type="checkbox"/>	065BT22 Angle Adjustable Tall Pivot	\$295.00
	<i>Standard with Push Handles.</i>	
	<i>NA with Flip Back or Flip Back Height Adj. Armrests</i>	
<input type="checkbox"/>	065AH3 Angle Adjustable Pivot 5"	NC
<input type="checkbox"/>	065AH4 Angle Adjustable Pivot 6"	NC
<input type="checkbox"/>	065AH5 Angle Adjustable Pivot 7"	NC

Optional Pre-Set Angle

<input type="checkbox"/>	065BD5 Back Angle - 15°	NC
<input type="checkbox"/>	065BD4 Back Angle - 12°	NC
<input type="checkbox"/>	065BD3 Back Angle - 6°	NC
<input type="checkbox"/>	065BD2 Back Angle - 0°	NC
<input type="checkbox"/>	065BD1 Back Angle +3°	NC

Back Tube Height (See Chart)

<input type="checkbox"/>	065B1 Low	NC
<input type="checkbox"/>	065B5 Medium	NC
<input type="checkbox"/>	065B9 Tall	NC

Optional Back Height

<input type="checkbox"/>	065B56 12"	NC
<input type="checkbox"/>	065B57 13"	NC
<input type="checkbox"/>	065B58 14"	NC
<input type="checkbox"/>	065B59 15"	NC
<input type="checkbox"/>	065B60 16"	NC
<input type="checkbox"/>	065B61 17"	NC
<input type="checkbox"/>	065B62 18"	NC
<input type="checkbox"/>	065B63 19"	NC
<input type="checkbox"/>	065B64 20"	NC
<input type="checkbox"/>	065B65 21"	NC

BACK TYPE

<input type="checkbox"/>	065BU1 Standard	NC
--------------------------	-----------------	----

BACK UPHOLSTERY TYPE

<input type="checkbox"/>	065BU1 Standard	NC
<input type="checkbox"/>	065BU60 WAMO Tension Adjustable Upholstery *	\$170.00
<input type="checkbox"/>	065BU14 Omit Back Upholstery	-\$18.00

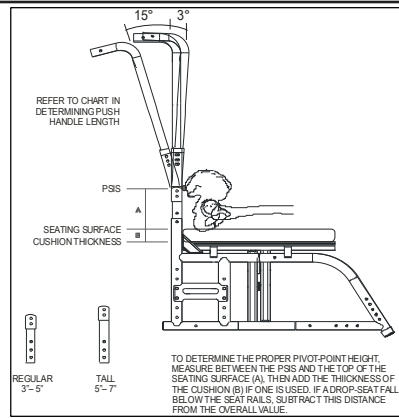
PUSH HANDLES

<input type="checkbox"/>	065BP3 Push Handle 8° (Std)	NC
--------------------------	-----------------------------	----

BACK HEIGHT

<input type="checkbox"/>	065B92 16" - 19"	NC
<input type="checkbox"/>	065B86 14" - 17"	\$75.00

ANGLE-ADJUSTABLE BACKREST SET-UP MATRIX



ARMREST

<input type="checkbox"/>	065AA6 Flip-Back Height Adjustable	\$315.00
<input type="checkbox"/>	065AA8 Single Post Ht. Adjustable Std	\$280.00
<input type="checkbox"/>	065AA9 Single Post Ht. Adjustable Low	\$280.00
<input type="checkbox"/>	065AA16 Padded Swing-Away Adult	\$260.00
<input type="checkbox"/>	065AA17 Padded Swing-Away Kids	\$260.00
<input type="checkbox"/>	065A994 Gel Cover for Padded Swing Away	\$135.00
<input type="checkbox"/>	065AA14 Omit Armrest	NC

ARMPAD

NA with padded swing-away armrests.

<input type="checkbox"/>	065AM1 Desk Length (10")	NC
<input type="checkbox"/>	065AM2 Full Length (14")	NC

WHEEL LOCK

Additional No Gos may exist depending on wheel size, seat depth and axle position

<input type="checkbox"/>	065WL1 High Mount Push	NC
<input type="checkbox"/>	065WL2 High Mount Pull	NC
<input type="checkbox"/>	065WL10 Omit Wheel Lock	NC
<input type="checkbox"/>	065WL30 Compact Wheel Lock *	\$135.00
<input type="checkbox"/>	065WL12 Do Not Mount	NC

GRADE AIDS

<input type="checkbox"/>	065GA1 WAMR Grade Aid	\$130.00
--------------------------	-----------------------	----------

REAR ANTI-TIP TUBES

<input type="checkbox"/>	065AT4 Rear Anti-Tip Tubes	\$100.00
--------------------------	----------------------------	----------

EXTENSION HANDLE

<input type="checkbox"/>	065EH1 6" Pair	\$60.00
--------------------------	----------------	---------

* Options marked by an asterisk are not covered by AADL and are the client's financial responsibility.

ACCESSORIES

<input type="checkbox"/>	065A1	Black Utility Backpack *	\$92.00
<input type="checkbox"/>	065A2	Black/Charcoal Kids *	\$85.00
<input type="checkbox"/>	065A8	Seat Pouch Black *	\$70.00
<input type="checkbox"/>	065IG2	Neoprene Impact Guard *	\$50.00
<input type="checkbox"/>	065A82	Caddy *	\$75.00
<input type="checkbox"/>	065A23	Black Spoke Guards *	\$130.00
<input type="checkbox"/>	065A24	Quickie "Q" Clear Spoke Guards *	\$130.00

FRAME COLOR

<input type="checkbox"/>	065C2	Black	NC
<input type="checkbox"/>	065C38	Blue Opal	NC

* Options marked by an asterisk are not covered by AADL and are the client's financial responsibility.

