



July 01, 2015

MEDmobility

5711- Calgary Trail NW  
Edmonton AB T6H 2K1  
P: 780-437-3300  
F: 780-430-9381  
www.medmobility.ca



ACCOUNT #: \_\_\_\_\_ SHIP TO: \_\_\_\_\_  
DATE: \_\_\_\_\_ NAME: \_\_\_\_\_  
P.O. #: \_\_\_\_\_ ADDRESS: \_\_\_\_\_  
CITY: \_\_\_\_\_ PROVINCE: \_\_\_\_\_  
POSTAL CODE: \_\_\_\_\_ PHONE #: \_\_\_\_\_  
BUYER: \_\_\_\_\_ MARKED FOR: \_\_\_\_\_

Product Info ▶

## 1. FRAME STYLE & SETUP

### Base Model

183WM56 Quickie IRIS with True Fit Growth \$4,157.00  
[WMA5QU015](#)

### Pre-Set Tilt Angle (55° range) (Default in Bold)

183TA5 -5 to 50° NC  
*NA w/ Heavy Duty and 12.5" STFH*

183TA6 **0 to 55°** NC

183TA7 +5 to 60° NC  
*NA w/Heavy Duty Package*

### Pre-Set Tilt Angle (40° range) (Default in Bold)

183TA8 -5 to 35° NC  
*NA w/ Heavy Duty and 12.5" STFH*

183TA1 0 to 40° NC

183TA10 **+5 to 45°** NC  
*NA w/Heavy Duty Package*

### Frame Options

183FS23 Standard Base and Seat Frame STD  
*Maximum Weight: 250 lbs.*

183HV1 [WAMF](#) Heavy Duty Package (Max: 350 lbs) \$990.00  
*NA w/ Vent and Battery Tray*

183FS24 Vent/Battery Tray Base \$668.00  
*NA w/ 14" and 15" frame width;  
minimum 17" STFH. NA w/ Attendant  
Wheel Lock.*

183FT46 Contracture Seat Frame NA w/ 14" or NC  
*15" frame depths. NA w/ drop seat  
pan.*

### Tilt Release Options

183TT8 Foot Release - No Cables NC  
*NA with Vent and Battery Tray. NA  
with 21-22" depth and +5° set-ups.*

183TT12 Backrest Dual trigger cable releases NC  
 Left  Right (Facing from rear)

### Transit

183TO45 Transit Option Heavy Duty w/ NC  
*Transit only available w/ 8" x 2"  
casters*

### Frame Struts

183GY01 Fixed (Standard) STD

183GY02 Width Adjusting System \$58.00

### Frame Width

<input type="checkbox"/>	183W5	14"	NC
<input type="checkbox"/>	183W6	15"	NC
<input type="checkbox"/>	183W7	16"	NC
<input type="checkbox"/>	183W8	17"	NC
<input type="checkbox"/>	183W9	18"	NC
<input type="checkbox"/>	183W10	<a href="#">WAMA</a> 19"	NC
<input type="checkbox"/>	183W11	<a href="#">WAMA</a> 20"	NC
<input type="checkbox"/>	183W12	<a href="#">WAMA</a> 21" NA w/ removable stroller handle extension	NC
<input type="checkbox"/>	183W13	<a href="#">WAMA</a> 22" NA w/ removable stroller handle extension	NC

### Frame Colour

<input type="checkbox"/>	183C2	Black	NC
<input type="checkbox"/>	183C10	Black Opal	NC
<input type="checkbox"/>	183C38	Blue Opal	NC
<input type="checkbox"/>	183C36	Candy Blue	NC

**2. FRAME DEPTH SET UP (Fill out either A or B)**

**A. Setup By QUICKIE**

**A. User's Seated Height**

See **Figure 1.2**, Dimension B. Distance from seat surface to top of the head.

<input type="checkbox"/>	183SJ01	Less than 37"	NC
<input type="checkbox"/>	183SJ02	37" or Greater	NC

**A. User's Weight (Default in Bold)**

251-350 lb options only available w/ HD Package

<input type="checkbox"/>	183BO01	<b>0 - 250 lbs</b>	NC
<input type="checkbox"/>	183BO02	251 - 300 lbs	NC
<input type="checkbox"/>	183BO03	301 - 350 lbs	NC

**A. Backrest Position**

See **FIGURE 1.1** and **FIGURE 1.3**, Dimension C. The location of the backrest surface in relation to the front of the backpost. The measurement is taken from the front surface of the backpost to the deepest area of the backrest in contact with the user's body.

<input type="checkbox"/>	183BQ01	+3"	NC
<input type="checkbox"/>	183BQ05	+2"	NC
<input type="checkbox"/>	183BQ02	+1"	NC
<input type="checkbox"/>	183BQ03	Flush	NC
<input type="checkbox"/>	183BQ04	-1"	NC
<input type="checkbox"/>	183BQ06	-2"	NC

**A. Top of Cushion to Seat Rail**

See **FIGURE 1.4** Dimensions A & B. This measurement is taken from the top of the cushion to the upper surface of the seat rail. If the cushion has a wedged shape and/or has significant lateral pelvic contour, then determine the height of the cushion at the point where the ischial tuberosities would contact (not immerse) the cushion surface.

<input type="checkbox"/>	183CJ04	2 1/2" or Greater	NC
<input type="checkbox"/>	183CJ05	<b>Less than 2 1/2"</b>	NC
<input type="checkbox"/>	183CJ03	Below Seat Rail	NC

**A. Desired Seat Depth**

See **Figure 1.1** for pricing, **Figure 1.2**, Dimension A for measurement

<input type="checkbox"/>	183SD7	14"	NC
<input type="checkbox"/>	183SD8	15"	NC
<input type="checkbox"/>	183SD9	16"	NC
<input type="checkbox"/>	183SD10	17"	Figure 1.1
<input type="checkbox"/>	183SD11	18"	Figure 1.1
<input type="checkbox"/>	183SD12	19"	Figure 1.1
<input type="checkbox"/>	183SD13	WAMB 20"	Figure 1.1
<input type="checkbox"/>	183SD14	WAMB 21"	Figure 1.1
<input type="checkbox"/>	183SD33	WAMB 22"	Figure 1.1

**B. Setup By DEPTH**

**B. Frame Depth Range**

<input type="checkbox"/>	183FL91	Short Seat Frame 14" - 18"	NC
<input type="checkbox"/>	183FL92	Medium Seat Frame 16"-20"	NC
<input type="checkbox"/>	183FL93	Long Seat Frame 18"-22"	NC

**B. Frame Depth**

<input type="checkbox"/>	183FD5	14" recommend short seat frame	NC
<input type="checkbox"/>	183FD6	15" recommend short seat frame	NC
<input type="checkbox"/>	183FD7	16" recommend short seat frame	STD
<input type="checkbox"/>	183FD8	17" recommend short seat frame	NC
<input type="checkbox"/>	183FD9	18" recommend medium seat frame	NC
<input type="checkbox"/>	183FD10	WAMB 19" recommend medium seat frame	NC
<input type="checkbox"/>	183FD11	WAMB 20" recommend long seat frame	NC
<input type="checkbox"/>	183FD16	WAMB 21" recommend long seat frame	NC
<input type="checkbox"/>	183FD17	WAMB 22" recommend long seat frame	NC

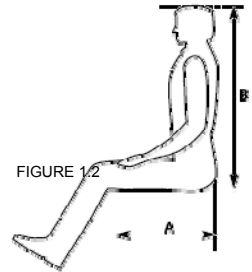
OR

**A. Figures for Setup by Quickie**

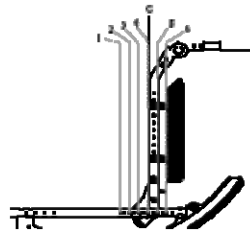
**Figure 1.1**

	3	2	1	Flush	-1	-2
14"	NC	NC	NC	NC	N/A	N/A
15"	NC	NC	NC	NC	N/A	N/A
16"	NC	NC	NC	NC	NC	N/A
17"	\$475	NC	NC	NC	NC	NC
18"	\$475	\$475	NC	NC	NC	NC
19"	N/A	\$475	\$475	NC	NC	NC
20"	N/A	\$795	\$475	\$475	NC	NC
21"	N/A	N/A	\$795	\$475	\$475	NC
22"	N/A	N/A	N/A	\$795	\$475	\$475

**Figure 1.2**

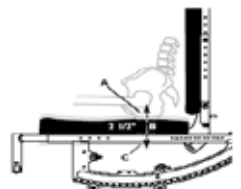


**Figure 1.3**



Back Type	
1	3" forward (+3')
2	2" forward (+2')
3	1" forward (+1')
4	Flush
5	1" rearward (-1')
6	2" rearward (-2')

**Figure 1.4**



**3. SEATING**

**Seat Type**

<input type="checkbox"/>	183ST35	Standard Seat Pan For growth ranges, see Figure 1.5	\$148.00
<input type="checkbox"/>	183ST36	Drop Seat Pan NA w/ transit, HD, contracture footrest system	\$148.00

**Figure 1.5**

Frame Width	Seat Pan Growth
14"	14" - 16"
15"	15" - 16"
16"	16" - 18"
17"	17" - 18"
18"	18" - 20"
19"	19" - 20"
20"	20" - 22"
21"	21" - 22"
22"	NA

**JAY Cushions (Optional)**

To order any JAY cushions on-chair, please see the JAY price list. Cushion name or part number must be filled out with desired width and depth.

<input type="checkbox"/>	183JC20	JAY Bundled Cushion Cushion Name/Part #: _____ Width: _____ Depth: _____	Price List
--------------------------	---------	--	------------

**4. BACKREST**

**Backpost Style - (Choose ONE Option - A, B, or C)**

**A. Stroller Handle Backpost (Fixed)**

<input type="checkbox"/>	183BP10	Low (18")	NC
<input type="checkbox"/>	183BP10	Medium (21")	NC
<input type="checkbox"/>	183BP11	Tall (24")	NC
<input type="checkbox"/>	183BP13	Removable Extension frame width, height adj back with adj stroller handles	NA w/ 21"-22" \$148.00

**A**

**OR**

**B. Height Adjustable Back w/ Adj. Stroller Handles**

**Select desired Push Handle**

<input type="checkbox"/>	183PH8	WAMJ Standard Push Handle	NC
<input type="checkbox"/>	183PH9	Long Push Handle Recommended in combo w/ vent & battery tray	NC

**B**

**AND select desired Back Cane**

<input type="checkbox"/>	183B200	Standard 15"-21"	NC
<input type="checkbox"/>	183B201	Tall 18"-24"	NC

**OR**

**C. Reclining Backrest (0-50°)**

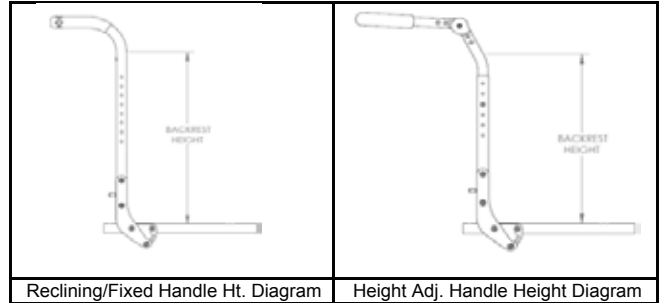
Only available with 40 degree tilt range. NA w/ 22" Deep Frame.

<input type="checkbox"/>	183BT21	Reclining Backrest	\$1,326.00
<input type="checkbox"/>	183B5	Medium	NC
<input type="checkbox"/>	183B9	Tall	NC

**C**

**JAY J3 Back**

<input type="checkbox"/>	183JB01	JAY J3 Back NA w/ O2 Holder	See OF
--------------------------	---------	--------------------------------	--------



**5. ARMREST**

**Armrest**

Heavy Duty Option only available w/ Dual Post Armrest

<input type="checkbox"/>	183AA63	Dual Post Height Adjustable	\$306.00
<input type="checkbox"/>	183AA43	Dual Post Flip Back	\$143.00
<input type="checkbox"/>	183AA62	Dual Post	NC
<input type="checkbox"/>	183AA48	Dual Post Flip Back Height Adj	\$286.00
<input type="checkbox"/>	183AA7	Length Adjustable Locking Flip-Up NA w/ contour armpad	\$286.00
<input type="checkbox"/>	183AA11	Single Post Height Adjustable - Std	\$286.00
<input type="checkbox"/>	183AA29	Single Post Height Adjustable - Low	\$286.00
<input type="checkbox"/>	183AA1	Adjustable Locking Flip-Up	\$286.00
<input type="checkbox"/>	183AA14	Omit Armrest	NC

**Armrest Receiver (Single Post Height Adjustable Only)**

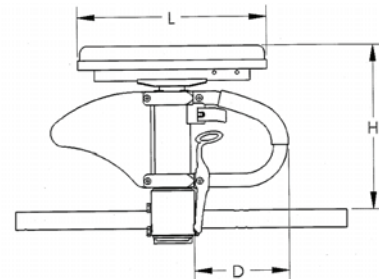
<input type="checkbox"/>	183AR17	Low	NC
<input type="checkbox"/>	183AR18	Std	NC

**Armpad**

<input type="checkbox"/>	183AM23	Desk Length Classic	NC
<input type="checkbox"/>	183AM21	Desk Length Contour	NC
<input type="checkbox"/>	183AM24	Full Length Classic	NC
<input type="checkbox"/>	183AM22	Full Length Contour	NC
<input type="checkbox"/>	183AM24	Full Length Classic	NC
<input type="checkbox"/>	183AM9	Foam Short Adj Locking Flip Up	Option for Length NC
<input type="checkbox"/>	183AM10	Foam Long Adj Locking Flip Up	Option for Length NC

**Armrest Matrix for Single Post**

Armrest Size	Transfer Tube Length D	Receiver	Classic Pad			
			H Range	Pad Length L		
				Desk	Full	
STD	8"	STD	10 3/4" to 15 3/4"	10 1/4"	14"	
		LOW	8 3/4" to 13 3/4"			
LOW	5 1/4"	STD	9" to 13"	10 1/2"	14 1/4"	
		LOW	7 1/4" to 11 1/4"			
		Receiver	Contour Pad			
			H Range	Pad Length L		
				Desk	Full	
			STD	10" to 15"	10 1/2"	14 1/4"
			LOW	8 1/4" to 12 1/2"		
STD	8 1/2" to 12 1/2"					
LOW	6 3/4" to 10 3/4"					



**6. HANGER AND FOOTPLATE OPTIONS**

**Footrest (Choose ONE Option - A, B, or C)**

**A. Hanger Mounted Footrest**

<input type="checkbox"/>	183H140	70° Swing In/Swing Out -Front Mount	NC
<input type="checkbox"/>	183H142	80° Swing In/Swing Out -Front Mount	NC
<input type="checkbox"/>	183H158	90° Swing In/Swing Out -Front Mount	NC
<input type="checkbox"/>	183H146	70° Heavy Duty Front Mount Lift Off	\$163.00
<input type="checkbox"/>	183H132	80° Heavy Duty Front Mount Lift Off NA w/ 4" casters	\$163.00
<input type="checkbox"/>	183H147	90° Heavy Duty Front Mount Lift Off NA w/ 4" casters	\$163.00
<input type="checkbox"/>	183H161	Elevating Hanger - Front Mount NA 90° footboard, some interference with casters if not tilted	\$286.00

**A. Hanger Mounted Footrest Extension Tubes**

NA w/ 12.5" seat height

<input type="checkbox"/>	183E23	2" NA w/ 90 swing away, lift off hangers	NC
<input type="checkbox"/>	183E24	4" NA w/ 90 swing away, lift off hangers	NC

**A. Hanger Mounted Footrest Footplates**

Heel loop or leg strap not included, See Footplate Options Section

<input type="checkbox"/>	183F4	WAMJ Kids Angle Adj Available w/ 14" to 16" frame width only	NC
<input type="checkbox"/>	183F8	WAMJ Adult Angle Adj - Front Mount	\$148.00
<input type="checkbox"/>	183A7	Omit Footplate	NC

**OR**

**B. Extension Tube Mounted Footrests**

Footrests mount to extension tubes

<input type="checkbox"/>	183H145	60° Swing In/Swing Out	NC
<input type="checkbox"/>	183H139	70° Swing In/Swing Out	NC
<input type="checkbox"/>	183H141	80° Swing In/Swing Out NA w/ 8" casters	NC
<input type="checkbox"/>	183H160	Elevating Hanger - Ext Mount NA w/ Platform Flip Up and Alum Angle Adj Front Mount footplates	\$286.00
<input type="checkbox"/>	183H159	Articulating Hanger NA w/ Platform Flip Up and Alum Angle Adj Front Mount footplates	\$444.00

**B. Extension Tube Mounted Footrests**

<input type="checkbox"/>	183E1	Short (11.5" - 14")	NC
<input type="checkbox"/>	183E2	Medium (14" - 17") NA with 12.5" seat height	NC
<input type="checkbox"/>	183E5	Long (17" - 19") NA with 12.5" seat height	NC
<input type="checkbox"/>	183E16	High Mount Only available with adult or kids angle adj. footplates	\$82.00

**B. Extension Tube Mounted Footrest Footplates**

Heel loop or leg strap not included, See Footplate Options Section

<input type="checkbox"/>	183F1	Composite with 70° SA ext. mount hangers NA w/ 8" casters	STD
<input type="checkbox"/>	183F5	Aluminum Only available w/ELR	NC
<input type="checkbox"/>	183F3	WAMJ Adult Angle Adjustable	\$148.00
<input type="checkbox"/>	183F48	Platform Flip-Up NA w/ med ext tubes. Only available with 60° or 70° hangers	\$194.00
<input type="checkbox"/>	183F7	Omit Footplate and Ext. Tube	NC

**OR**

**C. Contracture Footrest System**

Multi-Adjustable Padded Hangers & Angle Adjustable Aluminum Footrests.  
Contracture system only available with heel loops.

<input type="checkbox"/>	183H26	Contracture Footrest System NA w/ Drop seat pan. NA w/ 15" frame depth	\$505.00
<input type="checkbox"/>	183FP02	Outside Mount	NC
<input type="checkbox"/>	183FP01	Center Mount	NC

Select Extension Height Below for Short

<input type="checkbox"/>	183E25	Short	
<input type="checkbox"/>	183EP1	10.5" Extension Height	NC
<input type="checkbox"/>	183EP2	11.0" Extension Height	NC
<input type="checkbox"/>	183EP3	11.5" Extension Height	NC
<input type="checkbox"/>	183EP4	12.0" Extension Height	NC
<input type="checkbox"/>	183EP5	12.5" Extension Height	NC
<input type="checkbox"/>	183EP6	13.0" Extension Height	NC

Select Extension Height Below for Regular

<input type="checkbox"/>	183E26	Regular	
<input type="checkbox"/>	183EP5	12.5" Extension Height	NC
<input type="checkbox"/>	183EP6	13.0" Extension Height	NC
<input type="checkbox"/>	183EP7	13.5" Extension Height	NC
<input type="checkbox"/>	183EP8	14.0" Extension Height	NC
<input type="checkbox"/>	183EP9	14.5" Extension Height	NC
<input type="checkbox"/>	183EP10	15.0" Extension Height	NC

**Additional Hanger and Footplate Options**

**Hanger Mounts**

Not available with -5-50° preset tiltangle

Possible interference with 80° & 90° hangers

<input type="checkbox"/>	183MZ02	Standard Hanger Mount	STD
<input type="checkbox"/>	183MZ01	1" Offset Hanger Mount	NC

**Footrest Options**

<input type="checkbox"/>	183HL1	Heel Loop	NC
<input type="checkbox"/>	183HL5	Leg Strap	NC
<input type="checkbox"/>	183IG2	Impact Guard Neoprene * Only available w/ 60° or 70° ext. mount hanger	\$51.00
<input type="checkbox"/>	183H32	Omit Hanger	-\$16.00
<input type="checkbox"/>	183HL4	Omit Heel Loop	NC
<input type="checkbox"/>	183HL6	Omit Single Leg Strap	NC

\* Options marked by an asterisk are not covered by AADL and are the client's financial responsibility.

**7. SEAT HEIGHT SETUP**

**Front Seat Height**

Rear Wheel Size	CASTER SIZE					
	4"	5"	6"	8x1"	8x1.5"	8x2"
12" Mag	<input type="checkbox"/> 12.5"	<input type="checkbox"/> 13.5"	<input type="checkbox"/> 16.5"		<input type="checkbox"/> 16.5"	
		<input type="checkbox"/> 16.5"	<input type="checkbox"/> 17.0"	<input type="checkbox"/> 17.0"	<input type="checkbox"/> 17.0"	
		<input type="checkbox"/> 17.0"	<input type="checkbox"/> 17.5"	<input type="checkbox"/> 17.5"	<input type="checkbox"/> 17.5"	<input type="checkbox"/> 17.5"
		<input type="checkbox"/> 17.5"		<input type="checkbox"/> 18.0"	<input type="checkbox"/> 18.0"	<input type="checkbox"/> 18.0"
12" Low Poly		<input type="checkbox"/> 16.0"	<input type="checkbox"/> 16.0"		<input type="checkbox"/> 16.0"	
		<input type="checkbox"/> 16.5"	<input type="checkbox"/> 16.5"	<input type="checkbox"/> 16.5"	<input type="checkbox"/> 16.5"	<input type="checkbox"/> 16.5"
		<input type="checkbox"/> 17.0"	<input type="checkbox"/> 17.0"	<input type="checkbox"/> 17.0"	<input type="checkbox"/> 17.0"	<input type="checkbox"/> 17.0"
16" Mag		<input type="checkbox"/> 13.5"				
		<input type="checkbox"/> 14.0"				
		<input type="checkbox"/> 14.5"	<input type="checkbox"/> 14.5"			
		<input type="checkbox"/> 15.0"	<input type="checkbox"/> 15.0"			
		<input type="checkbox"/> 18.0"	<input type="checkbox"/> 18.0"	<input type="checkbox"/> 18.0"	<input type="checkbox"/> 18.0"	<input type="checkbox"/> 18.0"
		<input type="checkbox"/> 18.5"	<input type="checkbox"/> 18.5"	<input type="checkbox"/> 18.5"	<input type="checkbox"/> 18.5"	
20" Mag		<input type="checkbox"/> 16.0"	<input type="checkbox"/> 16.0"		<input type="checkbox"/> 16.0"	
		<input type="checkbox"/> 16.5"	<input type="checkbox"/> 16.5"	<input type="checkbox"/> 16.5"	<input type="checkbox"/> 16.5"	<input type="checkbox"/> 16.5"
		<input type="checkbox"/> 17.0"	<input type="checkbox"/> 17.0"	<input type="checkbox"/> 17.0"	<input type="checkbox"/> 17.0"	<input type="checkbox"/> 17.0"
		<input type="checkbox"/> 17.5"	<input type="checkbox"/> 17.5"			
22" Mag		<input type="checkbox"/> 17.0"	<input type="checkbox"/> 17.0"	<input type="checkbox"/> 17.0"		<input type="checkbox"/> 17.0"
		<input type="checkbox"/> 17.5"	<input type="checkbox"/> 17.5"	<input type="checkbox"/> 17.5"	<input type="checkbox"/> 17.5"	
		<input type="checkbox"/> 18.0"	<input type="checkbox"/> 18.0"	<input type="checkbox"/> 18.0"	<input type="checkbox"/> 18.0"	<input type="checkbox"/> 18.0"
24" Mag & Spoke		<input type="checkbox"/> 18.5"	<input type="checkbox"/> 18.5"	<input type="checkbox"/> 18.5"	<input type="checkbox"/> 18.5"	
			<input type="checkbox"/> 19.0"	<input type="checkbox"/> 19.0"	<input type="checkbox"/> 19.0"	<input type="checkbox"/> 19.0"
			<input type="checkbox"/> 19.5"			

**Casters**

<input type="checkbox"/> 183CW73	4" x 1.25" Semi Pneumatic NA w/ Heavy Duty Option	NC
<input type="checkbox"/> 183CW53	5" x 1" Polyurethane	NC
<input type="checkbox"/> 183CW7	5" x 1.5" Semi Pneumatic	\$92.00
<input type="checkbox"/> 183CW45	6" x 1" Polyurethane	STD
<input type="checkbox"/> 183CW35	6" x 1.5" Semi Pneumatic	\$92.00
<input type="checkbox"/> 183CW46	8" x 1" Polyurethane	NC
<input type="checkbox"/> 183CW39	8"x 1.5" Semi Pneumatic	\$122.00
<input type="checkbox"/> 183CW36	8"x 2" Pneumatic	\$209.00
<input type="checkbox"/> 183CW37	8"x 2" Pneumatic w/Insert *	\$332.00

**Rear Wheel**

<input type="checkbox"/> 183RW13	12" Mag Wheel NA w/ hand rims or full poly tires. With attendant wheel lock NA w/ +5 - 60° tilt angle.	NC
<input type="checkbox"/> 183RW14	16" Mag Wheel NA w/ hand rims, Only available w/ pneumatic or pneumatic w/ airless inserts tires.	NC
<input type="checkbox"/> 183RW3	20" Mag Wheel NA w/ projection handrims.	NC
<input type="checkbox"/> 183RW8	22" Mag Wheel NA w/ projection handrims.	NC
<input type="checkbox"/> 183RW1	24" Mag Wheel	NC
<input type="checkbox"/> 183RW2	24" Spoke Wheel	NC

**Rear Wheel Tire**

<input type="checkbox"/> 183RT3	Full Polyurethane	NC
<input type="checkbox"/> 183RT4	Low Polyurethane Only available w/ 12" Mag Wheel	NC
<input type="checkbox"/> 183RT1	Pneumatic	NC
<input type="checkbox"/> 183RT2	Pneumatic Airless Insert	\$209.00

**Handrim**

12" and 16" wheels not available with hand rims.

<input type="checkbox"/> 183HR1	Aluminum Anodized	NC
<input type="checkbox"/> 183HR4 WAMO	Plastic Coated	\$133.00
<input type="checkbox"/> 183HR7	Omit Handrim	-\$12.00

**Projections**

Not available on plastic coated. Only available with 24" rims.

<input type="checkbox"/> 183HR8 WAMQ	8 Oblique	\$122.00
--------------------------------------	-----------	----------

**Axle**

<input type="checkbox"/> 183AX1 WAMU	Quick Release Axles NA w/ one arm drive	NC
<input type="checkbox"/> 183AX17	Threaded Axles NA w/ 24" spoke wheels	NC

**Axle Plate**

<input type="checkbox"/> 8	Standard Axle Plate	NC
<input type="checkbox"/> 183AL17 WAML	One Arm Drive Axle Plate NA w/ 12" & 16" mag, 24" spoke wheels.	\$1,168.00
<input type="checkbox"/> 183OA2	One Arm Drive Standard Handrim	NC
<input type="checkbox"/> 183HM1	Right Hand Mount	NC
<input type="checkbox"/> 183HM2	Left Hand Mount	NC
<input type="checkbox"/> 183OA1	One Arm Drive Small Handrim NA w/ 20" mag wheels	NC
<input type="checkbox"/> 183HM1	Right Hand Mount	NC
<input type="checkbox"/> 183HM2	Left Hand Mount	NC

**Wheel Lock**

<input type="checkbox"/> 183WL8	Push to Lock	NC
<input type="checkbox"/> 183WL41	Attendant Wheel Lock (Foot Lock) NA w/ ext handles. NA w/ one arm drive	\$77.00
<input type="checkbox"/> 183WL10	Omit Wheel Lock	NC

**Extension Handle**

<input type="checkbox"/> 183EH7	Fold Down NA w/ attendant wheel lock	\$92.00
---------------------------------	---	---------

\* Options marked by an asterisk are not covered by AADL and are the client's financial responsibility.

**8. KEY OPTIONS AND ACCESSORIES**

**Anti Tips**

*Included with vent tray option. Not ordered as separate line item.*

- 183AT1 Anti Tips (Pair) \$102.00

**Seat Pouch**

- 183A8 Black \* \$71.00

**Backpack**

- 183A1 Black Utility Backpack \* \$94.00

**Extra Leg Strap**

- 183A54 Black \* \$51.00

**Miscellaneous Accessories**

- 183A82 Caddy \* Only available w/ extention tube mounted footrests \$77.00
- 183A71 WAMX O2 Holder NA w/ Height Adj Stroller Handles. NA w/ Reclining Backrest, or Transit Option. \$362.00
- 183A73 IV Pole \* NA w/ transit option \$184.00

\* Options marked by an asterisk are not covered by AADL and are the client's financial responsibility.

**Additional Options Through Built for Me**

To inquire about any unique customization for Quickie products, contact:  
Phone: (800) 263-3390, Fax: (800) 561-5834

**Commonly Requested Options Include:**

- ✓✓ 23" & 24" Seat Widths
- ✓✓ Angle Adjustable Handle for Reclining Backrest

**Lower Leg Length Matrix**

Front seat height must be at least 2" taller than lower leg length on all swing in/out hangers. Front seat height must be at least 2" taller than maximum lower leg length on all front mount hangers.

Hanger	Extension	Seat Pan to Top of Footrest		Min Allowable FSH
		Min	Max	
70° Front Mount	No Ext	3 1/2	9	11 1/2
	2"	3 1/2	11 1/2	13 1/2
	4"	3 1/2	13 1/2	15 1/2
80° Front Mount	No Ext	3 1/2	9 1/2	11 1/2
	2"	3 1/2	12	14
	4"	3 1/2	14	16
90° Front Mount	No Ext	3	9	11 1/2
ELR Front Mount	No Ext	3	7	10 1/2
60° Swing In/Out	Short	9	12 1/2	12 1/2
	Med	9	14 1/2	12 1/2
	Long	11 1/2	16	14 1/2
70° Swing In/Out	Short	10 1/2	15 1/2	12 1/2
	Med	10 1/2	17 1/2	18
	Long	13 1/2	19	15
80° Swing In/Out	Short	11	14 1/2	13
	Med	11	16 1/2	13
	Long	13	18	15
ALR	Short	14	17 1/2	12 1/2
	Med	15	19 1/2	13 1/2
	Long	16 1/2	19	14 1/2
ELR Ext. Mount	Short	13	17	12 1/2
	Medium	15	18 1/2	13 1/2
	Long	14 1/2	20	14 1/2

