



AADL #W137

Quickie® 2
EIQ2N

For Alberta Aids to Daily Living c

MEDmobility

5711- Calgary Trail NW
Edmonton AB T6H 2K1
P: 780-437-3300
F: 780-430-9381
www.medmobility.ca



July 01, 2015

ACCOUNT #: _____ SHIP TO: _____
 DATE: _____ NAME: _____
 P.O. #: _____ ADDRESS: _____
 CITY: _____ PROVINCE: _____
 POSTAL CODE: _____ PHONE #: _____
 BUYER: _____ MARKED FOR: _____



Product Info ▶

1. FRAME STYLE

- 184WM32 [WМК3QU010](#) Quickie 2 (EIQ2N) \$2,764.00

2. FRAME SETUP

REAR FRAME TYPE (265 lbs. Weight Capacity)

- 184RS1 Rear Side Frame Straight NC
- 184RS3 Depth Adjustable Back (DAB) \$311.00
NA with swing-away, flip-back armrests, or Xtender
(Backrest set 2" rear of seat tube w/ 1" adjustable forward)

HEAVY DUTY PACKAGE (350 lbs. weight capacity)

- 184HV1 [WAMF](#) Heavy Duty (18"-22" w.only) \$1,066.00
NA with Xtender or Small Frame Length
Includes Reinforced Back Upholstery & Stabilizer Bar.

FRAME WIDTH

- 184W3 12" NC
- 184W4 13" NC
- 184W5 14" NC
- 184W6 15" NC
- 184W7 16" NC
- 184W8 17" NC
- 184W9 18" NC
- 184W10 [WAMA](#) 19" \$260.00
- 184W11 [WAMA](#) 20" \$260.00
- 184W12 [WAMA](#) 21" (Only Avail. With Heavy Duty) \$260.00
- 184W13 [WAMA](#) 22" (Only Avail. With Heavy Duty) \$260.00

SEAT DEPTH

- 184SD5 12" NC
- 184SD6 13" NC
- 184SD7 14" NC
- 184SD8 15" NC
- 184SD9 16" NC
- 184SD10 17" NC
- 184SD11 18" NC
- 184SD12 [WAMB](#) 19" \$260.00
- 184SD13 [WAMB](#) 20" \$260.00

FRAME LENGTH

Hemi Frame Lengths NA with Xtender Power Assist.

- 184FL83 Small (12"-14") NC
- 184FL9 Regular (13"-16") NC
- 184FL18 Long (15"-18") NC
- 184FL25 X-Long (17"-20") (Steel Reinforced) \$117.00
- 184FL17 Hemi (13"-16") NC
- 184FL24 Long Hemi (15"-18") NC
- 184FL29 X-Long Hemi (17"-20") (Steel Reinforced) NC

* Options marked by an asterisk are not covered by AADL and are the client's financial responsibility.

4. FRONT SEAT HEIGHT SET UP

FRONT SEAT HEIGHT

Please see matrix on Page 8 for additional information

<input type="checkbox"/>	184SH	13.5" (Only available on Hemi Frame)	NC
<input type="checkbox"/>	184SH41	14" (Only available on Hemi Frame)	NC
<input type="checkbox"/>	184SH42	14.5"	NC
<input type="checkbox"/>	184SH12	15"	NC
<input type="checkbox"/>	184SH13	15.5"	NC
<input type="checkbox"/>	184SH14	16"	NC
<input type="checkbox"/>	184SH15	16.5"	NC
<input type="checkbox"/>	184SH16	17"	NC
<input type="checkbox"/>	184SH17	17.5"	NC
<input type="checkbox"/>	184SH18	18"	NC
<input type="checkbox"/>	184SH20	18.5"	NC
<input type="checkbox"/>	184SH21	19"	NC
<input type="checkbox"/>	184SH23	19.5"	NC
<input type="checkbox"/>	184SH24	20"	NC
<input type="checkbox"/>	184SH26	20.5"	NC
<input type="checkbox"/>	184SH27	21"	NC
<input type="checkbox"/>	184SH29	21.5" (NA with Hemi Frame)	NC
<input type="checkbox"/>	184SH36	22" (NA with Hemi Frame)	NC

CASTER OPTIONS

- 184OC1 **WAMB** Caster Pin Locks (N/A w/ 8"x2") \$128.00
NA with Xtender Power Assist Option or Frog Legs

CASTER FORK

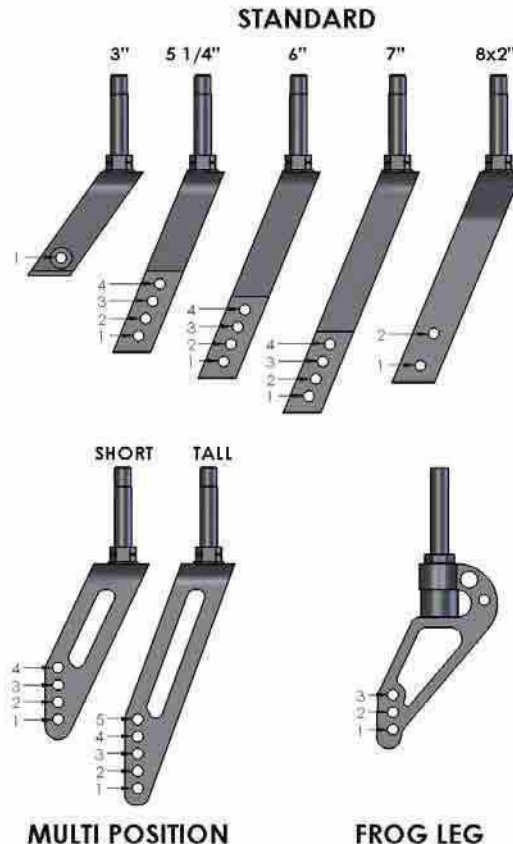
Please see matrix on Page 8 for additional information

- 184CF46 Multi Position Fork-Short NC
- 184CF47 Multi Position Fork- Tall NC
- 184CF62 3" Fork NC
- 184CF12 5 1/4" Fork NC
- 184CF17 6" Fork NC
- 184CF23 7" Fork NC
- 184CF29 8" x 2" Fork NC
- 184CF53 Frog Legs Suspension (0-100 lbs.) * \$485.00
- 184CF54 Frog Legs Suspension (101-190 lbs.) * \$485.00
- 184CF55 Frog Legs Suspension (191-265 lbs.) * \$485.00

CASTER WHEEL

All 8" casters NA w/ 90° hangers, ELRs and small frame. Also NA w/ combination of regular front frames, composite footplates, 24" wheels, and 70/80/90 degree hangers. See matrix on page 8.

<input type="checkbox"/>	184CW1	3" Micro	NC
<input type="checkbox"/>	184CW3	4" Low Profile Polyurethane Not available in heavy duty package.	\$92.00
<input type="checkbox"/>	184CW31	4" Micro Lighted	\$92.00
<input type="checkbox"/>	184CW72	4" x 1" Aluminum Polyurethane *	\$61.00
<input type="checkbox"/>	184CW44	4" x 1.25" Semi Pneumatic	NC
<input type="checkbox"/>	184CW64	4" x 1.5" Aluminum Soft Roll *	\$92.00
<input type="checkbox"/>	184CW5	5" Low Profile Polyurethane	NC
<input type="checkbox"/>	184CW51	5" Micro Lighted	\$92.00
<input type="checkbox"/>	184CW65	5" x 1" Aluminum Polyurethane *	\$92.00
<input type="checkbox"/>	184CW7	5" x 1.5" Semi-Pneumatic	\$92.00
<input type="checkbox"/>	184CW6	5" Soft Roll (Grey) Not available with Frog Legs	\$112.00
<input type="checkbox"/>	184CW66	5" x 1.5" Aluminum Soft Roll *	\$92.00
<input type="checkbox"/>	184CW34	6" Polyurethane	NC
<input type="checkbox"/>	184CW33	6" Pneumatic	\$92.00
<input type="checkbox"/>	184CW35	6" x 1.5" Semi Pneumatic	\$92.00
<input type="checkbox"/>	184CW68	6" x 1.5" Aluminum Soft Roll *	\$92.00
<input type="checkbox"/>	184CW16	7" Polyurethane	NC
<input type="checkbox"/>	184CW32	8" Polyurethane	NC
<input type="checkbox"/>	184CW21	8" Pneumatic	\$122.00
<input type="checkbox"/>	184CW39	8" x 1.5" Semi Pneumatic	\$122.00
<input type="checkbox"/>	184CW36	8" x 2" Pneumatic	\$148.00
<input type="checkbox"/>	184CW22	8" x 2" Pneumatic w/Airless Insert *	\$332.00



* Options marked by an asterisk are not covered by AADL and are the client's financial responsibility.

5. HANGER & FOOTPLATE OPTIONS

HANGERS

<input type="checkbox"/>	184H145	60° Swing In/Out Hanger	NC
<input type="checkbox"/>	184H139	70° Swing In/Out Hanger	NC
<input type="checkbox"/>	184H141	80° Swing In/Out Hanger	NC
<input type="checkbox"/>	184H154	60° Swing In/Out Hanger Hemi	NC
<input type="checkbox"/>	184H155	70° Swing In/Out Hanger Hemi	NC
<input type="checkbox"/>	184H140	70° Swing In/Out Front Mount	NC
<input type="checkbox"/>	184H142	80° Swing In/Out Front Mount	NC
<input type="checkbox"/>	184H158	90° Swing In/Out Front Mount	NC
<input type="checkbox"/>	184H159	Articulating Hanger Available w/ composite & alum. angle adj. footplates 15"-22" widths only. NA w/ Push To Lock Wheel Locks	\$435.00
<input type="checkbox"/>	184H160 WAMK	Elevating Hanger - Ext. Mount Only available with aluminum or angle adj. footplates NA with short extension tubes.	\$286.00
<input type="checkbox"/>	184H161 WAMK	Elevating Hanger - Front Mount Only available w/ alum or angle adj. footplates and 14"-22" widths only.	\$286.00
<input type="checkbox"/>	184H32	Omit Hanger	-\$18.00

LOWER LEG LENGTH SETTING (Recommend 2" less than FSTFH)

<input type="checkbox"/>	184LO01	9" NC <i>Hemi Only</i>	<input type="checkbox"/>	184LO02	9.5" NC <i>Hemi Only</i>
<input type="checkbox"/>	184LO03	10" NC	<input type="checkbox"/>	184LO04	10.5" NC
<input type="checkbox"/>	184LO05	11" NC	<input type="checkbox"/>	184LO06	11.5" NC
<input type="checkbox"/>	184LO07	12" NC	<input type="checkbox"/>	184LO08	12.5" NC
<input type="checkbox"/>	184LO09	13" NC	<input type="checkbox"/>	184LO10	13.5" NC
<input type="checkbox"/>	184LO11	14" NC	<input type="checkbox"/>	184LO12	14.5" NC
<input type="checkbox"/>	184LO13	15" NC	<input type="checkbox"/>	184LO14	15.5" NC
<input type="checkbox"/>	184LO15	16" NC	<input type="checkbox"/>	184LO16	16.5" NC
<input type="checkbox"/>	184LO17	17" NC	<input type="checkbox"/>	184LO18	17.5" NC
<input type="checkbox"/>	184LO19	18" NC	<input type="checkbox"/>	184LO20	18.5" NC
<input type="checkbox"/>	184LO21	19" NC	<input type="checkbox"/>	184LO22	19.5" NC
<input type="checkbox"/>	184LO23	20" NC	<input type="checkbox"/>	184LO24	20.5" NC <i>STD Only</i>

FOOTREST LENGTH MATRIX (all dims in inches)

Hanger	Extension	Seat Sling to Top of Footrest		*Minimum Allowable FSH
		Min	Max	
60° Swing In/Out	Short	13.0"	16.5"	15.0"
	Medium	13.0"	18.0"	15.0"
	Long	15.0"	19.5"	17.0"
70° Swing In/Out Std & Hemi	Short	13.0"	17.0"	15.0"
	Medium	13.5"	18.5"	15.5"
	Long	15.5"	20.5"	17.5"
60° Swing In/Out w/Platform Flip Up	Short	11.5"	14.5"	14.0"
	Long	14.0"	18.5"	16.0"
70° Swing In/Out w/Platform Flip Up	Short	13.0"	15.5"	15.0"
	Long	15.5"	20.0"	17.5"
*70° Front Mount	No Ext	6.0"	11.5"	14.0"
	2" Ext	6.0"	14.0"	16.0"
	4" Ext	6.0"	16.0"	18.0"
*80° Front Mount	Short	6.0"	12.0"	14.0"
	Medium	6.0"	14.5"	16.5"
	Long	6.0"	16.5"	18.5"
90° Front Mount	No Ext	5.5"	11.5"	14.0"
ALR	Medium	15.0"	17.5"	14.0"
	Long	17.5"	20.0"	14.0"
ELR	Short	14.0"	18.0"	14.0"
	Long	15.0"	20.0"	14.0"

Notes:

1. 2" & 4" extensions for front mount hangers shipped separate, not mounted.
2. Front seat height must be at least 2" taller than lower leg length on all swing in/out hangers.
3. Front seat height must be at least 2" taller than maximum lower leg length on all front mount hangers.

FOOTPLATES

<input type="checkbox"/>	184F1	Composite w/Heel Loop 13"-22" W (Not available for certain seat height)	NC
<input type="checkbox"/>	184F271	Composite Angle Adj 16"-22" W	\$148.00
<input type="checkbox"/>	184F3 WAMJ	Alum Angle Adj Ext Mt 16"-22" W	\$148.00
<input type="checkbox"/>	184F8 WAMJ	Alum Angle Adj - Front Mt 16"-22" W	\$148.00
<input type="checkbox"/>	184F5	Aluminum Footplate - Fixed Available w/ Ext Mount ELR or ALR	NC
<input type="checkbox"/>	184F48	Platform Flip Up w/Leg Strap Available w/ 60°, 70°.	\$194.00
<input type="checkbox"/>	184F7	Omit Footplate & Extension Tube	-\$15.00

EXTENSIONS (Required with Extension Tube Mounted Hangers)

<input type="checkbox"/>	184E1	Short (see matrix for lengths)	NC
<input type="checkbox"/>	184E2	Medium (see matrix for lengths)	NC
<input type="checkbox"/>	184E5	Long (see matrix for lengths)	NC
<input type="checkbox"/>	184E16	High Mount NA with One-Arm drive option or ELR's Only available w/ Angle Adj Footplates	\$82.00
<input type="checkbox"/>	184E23	2" - Front Mount Only NA with 6", 7" or 8" caster, 90° hangers or ELR's	\$46.00
<input type="checkbox"/>	184E24	4" Front Mount Only NA with 6", 7" or 8" caster, 90° hangers or ELR's	\$46.00

FOOTREST OPTIONS (EXTENSION TUBE AND DIRECT MOUNT)

<input type="checkbox"/>	184HL1	Heel Loop	NC
<input type="checkbox"/>	184HL5	Leg Strap	NC
<input type="checkbox"/>	184HL4	Omit Heel Loop	NC
<input type="checkbox"/>	184HL6	Omit Leg Strap	NC

6. REAR SEAT HEIGHT SET UP

REAR SEAT HEIGHT

21.5" & 22" only available with amputee or straight axle plate & Mountain Wheel

<input type="checkbox"/>	184RH11	13" (curved axle plate and rounded rear)	NC
<input type="checkbox"/>	184RH12	13.5"	NC
<input type="checkbox"/>	184RH13	14"	NC
<input type="checkbox"/>	184RH14	14.5"	NC
<input type="checkbox"/>	184RH15	15"	NC
<input type="checkbox"/>	184RH16	15.5"	NC
<input type="checkbox"/>	184RH17	16"	NC
<input type="checkbox"/>	184RH18	16.5"	NC
<input type="checkbox"/>	184RH19	17"	NC
<input type="checkbox"/>	184RH26	17.5"	NC
<input type="checkbox"/>	184RH20	18"	NC
<input type="checkbox"/>	184RH27	18.5"	NC
<input type="checkbox"/>	184RH21	19"	NC
<input type="checkbox"/>	184RH37	19.5"	NC
<input type="checkbox"/>	184RH22	20"	NC
<input type="checkbox"/>	184RH38	20.5"	NC
<input type="checkbox"/>	184RH23	21"	NC
<input type="checkbox"/>	184RH39	21.5"	NC
<input type="checkbox"/>	184RH40	22"	NC

AXLE PLATE

<input type="checkbox"/>	184AL33	Standard Adjustable	NC
<input type="checkbox"/>	184AL5	Curved Adjustable	\$110.00
<input type="checkbox"/>	184AL6	WAMT Amputee Adjustable Available with SPHA armrests	\$122.00
<input type="checkbox"/>	184AL29	Offset Adjustable	NC Rear seat height will be 1/4" lower than standard RSTFH

ONE ARM DRIVE

NA w/ Xtender, 12", 21" & 22" wide, HD package, curved & amputee axle plates, and small tray table. NA w/ combination of Padded SA arms and Anti tips. Only available w/ 20", 22", 24" mag wheels.

<input type="checkbox"/>	184AL16	WAML One Arm Drive Adj. Axle Plate	\$1,168.00
<input type="checkbox"/>	184OA1	Small Handrim (NA w/ 20" wheels)	NC
<input type="checkbox"/>	184OA1	Standard Handrim	NC
<input type="checkbox"/>	184HM1	Right Hand Mount	NC
<input type="checkbox"/>	184HM2	Left Hand Mount	NC

REAR WHEEL TYPE

Not applicable w/ Xtender Power Assist Option. Ultra Lightweight Wheels only available w/ Alum Anodized Handrim. Handrims cannot be omitted on Lite Spoke Wheels. Contact Built 4 Me for Spinerly color options.

<input type="checkbox"/>	184RW3	20" Mag Wheel	NC
<input type="checkbox"/>	184RW8	22" Mag Wheel	NC
<input type="checkbox"/>	184RW1	24" Mag Wheel	NC
<input type="checkbox"/>	184RW102	24" Mag Wheel 5 Spoke NEW!	NC
<input type="checkbox"/>	184RW90	20" Lite Spoke Wheel *	\$270.00
<input type="checkbox"/>	184RW91	22" Lite Spoke Wheel *	\$270.00
<input type="checkbox"/>	184RW92	24" Lite Spoke Wheel *	NC
<input type="checkbox"/>	184RW50	24" Mountain *	\$332.00

* Options marked by an asterisk are not covered by AADL and are the client's financial responsibility.

REAR WHEEL TIRE

Not applicable when Xtender Power Assist Option is chosen.

<input type="checkbox"/>	184RT2	Pneumatic Airless Insert *	\$209.00
<input type="checkbox"/>	184RT6	High-Pressure Clincher *	\$87.00
<input type="checkbox"/>	184RT23	Knobby V- Trak by Kenda *	\$133.00
<input type="checkbox"/>	184RT21	Schwalbe Marathon Plus Evolution *	\$133.00
<input type="checkbox"/>	184RT22	Kik® Mako Black *	\$128.00
<input type="checkbox"/>	184RT12	Mountain Tire *	NC

Only available on 24" Mountain Rear Wheel

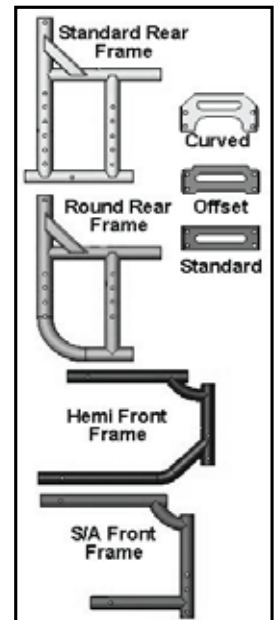
REAR SEAT HEIGHT AVAILABILITY MATRICES

Rear tire, side frame, and axle plate selections dictate seat height availability. *Not all combinations are possible within acceptable seat height ranges

Rear Tire	Min RSH	Max RSH
20" Pneumatic	13.5"	19.0"
20" Poly	13.5"	19.0"
22" Pneumatic	14.0"	20.0"
22" Poly	14.0"	20.0"
22" HP Clincher	13.5"	19.5"
22" Schwalbe	13.5"	19.5"
24" Pneumatic	14.5"	21.0"
24" Poly	14.5"	21.0"
24" HP Clincher	14.5"	20.5"
24" Knobby	14.5"	21.0"
24" Schwalbe	14.5"	20.5"
24" Kik	14.5"	20.5"
24" Mountain	15.0"	21.0"
25" HP Clincher	15.0"	21.0"
25" Schwalbe	15.0"	21.0"
25" Kik	14.5"	20.5"
26" Pneumatic	16.0"	22.0"
26" HP Clincher	15.5"	21.5"
26" Schwalbe	15.5"	21.5"

Rear Side Frame	Min RSH	Max RSH
Curved	13.5"	21.0"
Straight	13.5"	22.0"
DAB	14.0"	22.0"

Axle Plate	Min RSH	Max RSH
Curved	13.5"	22.0"
Straight	13.5"	22.0"
Offset	13.5"	22.0"
Amputee	13.5"	22.0"



	Wheel	5 Spoke Mag	Mag	Lite Spoke	Ultra Lt wt	Spinerly
Tire						
Pneumatic		24	20,22,24	20,22,24,26		24,26
Pneumatic w/Airless Insert		24	20,22,24	20,22,24,26		24,26
Full Poly Tire		24	20,22,24	20,22,24		
High Pressure Clincher				22,24,25,26	22,24	22,24,25,26
Knobby V-TRAK				24		24
Schwalbe Marathon			24	24,25,26	22,24	24,25,26
Kik Mako Black		24		24,25		24,25

22" = 489 mm 24" = 540 mm

6. REAR SEAT HEIGHT SET UP (CONTINUED)

HANDRIM

Handrim Selection not applicable with Extender Power Assist
Ultra Lightweight Wheels only available with Aluminum Anodized Handrim

- 184HR1 Aluminum Anodized NC
- 184HR4 WAMO Plastic Coated \$133.00

HANDRIM (CONTINUED)

- 184HR7 Omit Handrim (NA on every rim) NC
- 184HR8 WAMO 8 Oblique \$133.00
NA w/ Xtender, plastic coated handrims.
Only available with 24" or 26" Std Mag or Lite Spoke rims.

AXLE

- 184AX1 WAMU Quick Release Steel NC
- 184AX11 Quad Quick Release \$153.00
Std Mag and Mountain Wheel only.

*Clinical Justification Required

7. BACKREST

BACK HEIGHT

- 184B1 Low (9"-12") NC
- 184B5 Medium (12"-15") NC
- 184B9 Tall (16"-19") NC
- 184B66 Depth Adjustable 12" NC
- 184B67 Depth Adjustable 14" NC
- 184B68 Depth Adjustable 16" NC
- 184B69 Depth Adjustable 18" NC
- 184B70 Depth Adjustable 20" NC

BACK HEIGHT SETTING (Standard or Angle Adjustable)

- | | |
|---|---|
| <input type="checkbox"/> 184UX4 9" NC | <input type="checkbox"/> 184UX18 16" NC |
| <input type="checkbox"/> 184UX6 10" NC | <input type="checkbox"/> 184UX20 17" NC |
| <input type="checkbox"/> 184UX8 11" NC | <input type="checkbox"/> 184UX22 18" NC |
| <input type="checkbox"/> 184UX10 12" NC | <input type="checkbox"/> 184UX24 19" NC |
| <input type="checkbox"/> 184UX12 13" NC | <input type="checkbox"/> 184UX26 20" NC |
| <input type="checkbox"/> 184UX14 14" NC | <input type="checkbox"/> 184UX28 21" NC |
| <input type="checkbox"/> 184UX16 15" NC | 20" & 21" only with Ang. Adj. Back |

BACK TYPE

- 184BT10 Standard NC
- 184BT20 Angle Adjustable Back (3-5") \$301.00
- 184BT22 Angle Adjustable Back (5"-7") \$301.00
- 184BT6 Depth Adjustable(Required with DAB) NC

BACK POST OPTIONS (Standard or Angle Adjustable)

- 184BP1 Push Handle Straight NC
- 184BP3 Push Handle 8° NC
Med. Or Tall only. NA on Angle Adjustable Backrest
- 184BP2 Omit Push Handle Straight (NA w/ HD) NC
- 184BP4 Omit Push Handle 8° (NA w/ HD) NC
- 184BP8 Omit Back Post & Upholstery NC
Use w/ DAB solid back & hardware
- 184BP5 Angle Adj. Straight Push Handles NC
- 184BP6 Angle Adj. Omit Push Handles NC

BACK POST OPTIONS (Depth Adjustable Back)

- 184BP33 DAB - Swing Away Stroller Handles * \$163.00
- 184BP27 DAB - Post Standard NC
- 184BP28 DAB - Post Medium NC
- 184BP29 DAB - Post Tall NC

STABILIZER BAR

- 184SZ1 Stabilizer Bar \$143.00
Standard with Heavy Duty Package

BACKREST UPHOLSTERY (STANDARD OR ANGLE ADJUSTABLE)

- 184BU1 Standard Upholstery NC
- 184BU8 WAMO Tension Adjustable Upholstery \$179.00
Not available with fabric side guards or Depth Adj. Back
Not available with Heavy Duty option
- 184BU23 Depth Adjustable Solid Back \$158.00
- 184BU14 Omit Back Upholstery -\$18.00

BACKREST OPTION

- 184OD4 Reinforced Upholstery \$46.00
Only available with Standard Back Upholstery & HD package

JAY BACK (OPTIONAL)

- 184JB01 Jay J3 Back (See J3 Back Order Form) See OF

STROLLER HANDLES WAMW

- 184SR2 Regular Stroller Handles NC
- 184SR3 Tall Stroller Handles NC

Only available w/ omit push handles. NA w/Xtender, DAB, amputee axle plate, push handles when angle adjustable back is selected, flip-back or flip-back height adjustable armrests, and JAY backs.

Angle Adjustable Backrest Chart

Back Tube Height	Low	Medium	Tall
Pivot Regular set at 3"	12" 13" 14"	15" 16" 17"	17" 18" 19"
Pivot Regular set at 4"	13" 14" 15"	16" 17" 18"	18" 19" 20"
Pivot Regular set at 5"	14" 15" 16"	17" 18" 19"	19" 20" 21"
Pivot Tall set at 5"	14" 15" 16"	17" 18" 19"	19" 20" 21"
Pivot Tall set at 6"	15" 16" 17"	18" 19" 20"	N/A
Pivot Tall set at 7"	16" 17" 18"	19" 20" 21"	N/A

Adjustable Pivot Point Measurement from Seat Sling

If back height option is not chosen, middle option will be present

* Options marked by an asterisk are not covered by ADL and are the client's financial responsibility.

7. BACKREST (CONTINUED)

ANGLE ADJUSTABLE BACKREST PIVOT HEIGHT

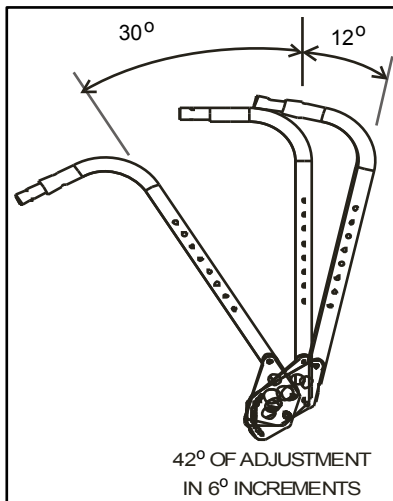
Standard push handles only. Some interference w/ Padded SA arms. NA w/ flip-back or flip-back height adjustable armrests.

<input type="checkbox"/> 184AH1	Angle Adjustable Pivot 3"	NC
<input type="checkbox"/> 184AH2	Angle Adjustable Pivot 4"	NC
<input type="checkbox"/> 184AH3	Angle Adjustable Pivot 5"	NC
<input type="checkbox"/> 184AH4	Angle Adjustable Pivot 6"	NC
<input type="checkbox"/> 184AH5	Angle Adjustable Pivot 7"	NC

PRESET ANGLE ADJUSTABLE BACKREST (+3°, -15°)

Angle Adjustable Pre - Set Angle (OPTIONAL)

<input type="checkbox"/> 184BD5	Back Angle -15	NC
<input type="checkbox"/> 184BD4	Back Angle -12	NC
<input type="checkbox"/> 184BD3	Back Angle -6	NC
<input type="checkbox"/> 184BD2	Back Angle -0	NC
<input type="checkbox"/> 184BD1	Back Angle +3	NC



8. ARMREST

ARMREST - PADDED SWING AWAY

NA w/ DAB, Xtender or Amputee axle. Some limitations may exist with integral push handles, some RSTFHs and wheel sizes

<input type="checkbox"/> 184AA18	Padded Swing-Away STD (9" to 13")	NC
Setting	<input type="checkbox"/> 6" <input type="checkbox"/> 7" <input type="checkbox"/> 8" <input type="checkbox"/> 9" <input type="checkbox"/> 10" <input type="checkbox"/> 11" <input type="checkbox"/> 12" <input type="checkbox"/> 13"	

ARMREST HEIGHT ADJUSTABLE

<input type="checkbox"/> 184AA11	Height Adjustable Standard (NC w/DAB)	\$286.00
<input type="checkbox"/> 184AA29	Height Adjustable Low (NC w/DAB)	\$286.00

FLIP BACK ARMREST

Not available with depth adjustable back, Xtender, small frame, amputee axle highest axle on rounded rear frame, angle adjustable back.

<input type="checkbox"/> 184AA6	Flip Back Height Adj (Classic)	\$321.00
<input type="checkbox"/> 184AA65	Flip Back Height Adj (LITE)	\$321.00

FLIP UP ARMREST (for use with Depth Adjustable Back)

Requires an "Armpad Foam" from the "Arm Pad - Height Adj." section below

<input type="checkbox"/> 184AA7	Adj. Locking Flip-up	\$286.00
<input type="checkbox"/> 184AA1	Length Adjustable Locking Flip-up	\$286.00

OMIT ARMREST

<input type="checkbox"/> 184AA14	Omit Armrest	NC
----------------------------------	--------------	----

ARM PAD - HEIGHT ADJUSTABLE

For Flip Back, Single Post, and Flip Up. Contour pad not recommended for Tray tables
Contour only available with Single Post Height Adjustable.

<input type="checkbox"/> 184AM23	Desk Length - Classic (10")	NC
<input type="checkbox"/> 184AM21	Desk Length - Contour (10")	NC
<input type="checkbox"/> 184AM24	Full Length - Classic (14")	NC
<input type="checkbox"/> 184AM22	Full Length - Contour (14")	NC
<input type="checkbox"/> 184AM9	Armpad Foam - Short (Flip Up armrests)	NC
<input type="checkbox"/> 184AM10	Armpad Foam - Long (Flip Up armrests)	NC

9. KEY OPTIONS & ACCESSORIES

WHEEL LOCK

Ergo & Compact NA with Short Frame or Amputee Axle Plate.
Additional No Gos may exist depending on wheel size and position

<input type="checkbox"/> 184WL1	High Mount Push	NC
<input type="checkbox"/> 184WL2	High Mount Pull	NC
<input type="checkbox"/> 184WL27	Ergo Scissor	\$133.00
<input type="checkbox"/> 184WL30	Compact	\$138.00
<input type="checkbox"/> 184WL10	Omit	NC

WHEEL LOCK OPTION

<input type="checkbox"/> 184WL12	Do Not Mount	NC
----------------------------------	--------------	----

EXTENSION HANDLE

Not available with ergo scissor or compact wheel locks

<input type="checkbox"/> 184EH7	Extension Handle (Pair)	\$ 61.00
---------------------------------	-------------------------	----------

9. KEY OPTIONS & ACCESSORIES

GRADE AID

Only available w/ high mount push or pull to lock wheel locks on pneumatic or pneumatic w/ airless tire options

- 184GA1 WAMR Grade Aid \$ 133.00

SEAT SLING

- 184SL1 Standard Seat Sling NC
- 184SL6 Omit Seat Sling -\$18.00

SIDE GUARD

Plastic Side Guards NA w/Height Adj. Arms

Side guard interference with Padded SA arms at some heights may exist

- 184SG33 WAMV Plastic Standard (8.5" High) \$158.00
- 184SG29 WAMV Plastic Low (6.5" High) \$158.00

ANTI-TIP

- 184AT1 Rear Anti-Tip(Included with Xtender) \$102.00

TRANSIT OPTION

NA on stroller handles or Xtender

- 184TO46 Transit System * \$342.00

BACKPACK

- 184A1 Quickie Backpack Black * \$94.00
- 184A2 Quickie Kids Backpack Black * \$87.00

SEAT POUCH

- 184A8 Quickie Seat Pouch Black * \$71.00

ADDITIONAL COVER & PACK ACCESSORIES

- 184A500 Gel Cover Hanger/Frame * \$138.00
- 184A994 Gel Cover Swing Away Arm * \$138.00

SPOKE GUARDS

Only available w/ Std Mag, Mountain, and Lite Spoke wheels

- 184A302 WAMP Quickie Clear Spoke Guards * \$133.00
- 184A23 WAMP Quickie Black Spoke Guards * \$133.00

MISCELLANEOUS

- 184A82 Caddy(NA with front mount hangers) * \$77.00
- 184A49 Crutch Holder * \$97.00
- 184IG2 Impact Guard Neoprene * \$51.00
- 184A73 IV Holder * \$184.00
- 184A145 WAMX O2 Holder * \$362.00

FRAME COLOUR

- 184C2 Black NC
- 184C38 Blue Opal NC

* Options marked by an asterisk are not covered by AADL and are the client's financial responsibility.



10. APPENDIX

Quickie 2 Seat To Floor Height Matrix - Standard Frame *Hemi options will result in a reduction of approx 2^{1/4"}
 *Values Given are Estimates. Actual seat to floor height may vary based on seat depth and front seat to floor height selection.

All 3" Casters						
Fork Size	Stem Size	Bolt Position				
		5	4	3	2	1
Multi Position Short	Std	-	-	-	16.5	17.0
	3/4"	-	-	-	17.0	17.5
	1 1/2"	-	-	-	18.0	18.5
Multi Position Tall	Std	-	-	-	18.5	19.0
	3/4"	-	-	-	19.0	19.5
	1 1/2"	-	-	-	20.0	20.5
3"	Std	-	-	-	-	15.0
	3/4"	-	-	-	-	15.5
	1 1/2"	-	-	-	-	16.5
5 1/4"	Std	-	-	-	-	17.0
	3/4"	-	-	-	-	18.0
	1 1/2"	-	-	-	-	18.5
6"	Std	-	-	-	-	18.0
	3/4"	-	-	-	-	18.5
	1 1/2"	-	-	-	-	19.5
7"	Std	-	-	-	-	19.0
	3/4"	-	-	-	-	19.5
	1 1/2"	-	-	-	-	20.5
8" X 2"	Std	-	-	-	-	-
	3/4"	-	-	-	-	-
	1 1/2"	-	-	-	-	-
Frog Legs	Std	-	-	-	16.5	17.0
	1 1/2"	-	-	-	18.0	18.5

All 4" Casters							
Fork Size	Stem Size	Bolt Position					
		5	4	3	2	1	
Multi Position Short	Std	-	-	-	16.5	17.0	17.5
	3/4"	-	-	-	17.5	18.0	
	1 1/2"	-	-	-	18.5	19.0	
Multi Position Tall	Std	-	-	-	18.5	19.0	19.5
	3/4"	-	-	-	19.5	20.0	
	1 1/2"	-	-	-	20.5	21.0	
3"	Std	-	-	-	-	-	
	3/4"	-	-	-	-	-	
	1 1/2"	-	-	-	-	-	
5 1/4"	Std	-	-	-	16.5	17.0	17.5
	3/4"	-	-	-	18.0	18.5	
	1 1/2"	-	-	-	18.5	19.0	
6"	Std	-	-	-	18.0	18.5	
	3/4"	-	-	-	18.5	19.0	
	1 1/2"	-	-	-	19.5	20.0	
7"	Std	-	-	-	19.0	19.5	
	3/4"	-	-	-	19.5	20.0	
	1 1/2"	-	-	-	20.5	21.0	
8" X 2"	Std	-	-	-	-	-	
	3/4"	-	-	-	-	-	
	1 1/2"	-	-	-	-	-	
Frog Legs	Std	-	-	-	16.5	17.0	17.5
	1 1/2"	-	-	-	18.0	18.5	19.0

All 5" Casters								
Fork Size	Stem Size	Bolt Position						
		5	4	3	2	1		
Multi Position Short	Std	-	-	-	16.5	17.0	17.5	18.0
	3/4"	-	-	-	18.0	18.5		
	1 1/2"	-	-	-	19.0	19.5		
Multi Position Tall	Std	-	-	-	18.5	19.0	19.5	20.0
	3/4"	-	-	-	20.0	20.5		
	1 1/2"	-	-	-	21.0	21.5		
3"	Std	-	-	-	-	-	-	-
	3/4"	-	-	-	-	-	-	-
	1 1/2"	-	-	-	-	-	-	-
5 1/4"	Std	-	-	-	17.0	17.5	18.0	
	3/4"	-	-	-	18.5	19.0		
	1 1/2"	-	-	-	19.0	19.5		
6"	Std	-	-	-	18.0	18.5	19.0	
	3/4"	-	-	-	19.0	19.5		
	1 1/2"	-	-	-	20.0	20.5		
7"	Std	-	-	-	19.0	19.5	20.0	
	3/4"	-	-	-	20.0	20.5		
	1 1/2"	-	-	-	21.0	21.5		
8" X 2"	Std	-	-	-	-	-	-	-
	3/4"	-	-	-	-	-	-	-
	1 1/2"	-	-	-	-	-	-	-
Frog Legs	Std	-	-	-	17.5	18.0		
	1 1/2"	-	-	-	19.0	19.5		

All 6" Casters								
Fork Size	Stem Size	Bolt Position						
		5	4	3	2	1		
Multi Position Short	Std	-	-	-	17.0	17.5	18.0	
	3/4"	-	-	-	18.5	19.0		
	1 1/2"	-	-	-	19.0	19.5		
Multi Position Tall	Std	18.0	18.5	19.0	19.5	20.0		
	3/4"	-	-	-	20.5	21.0		
	1 1/2"	-	-	-	21.0	21.5		
3"	Std	-	-	-	-	-		
	3/4"	-	-	-	-	-		
	1 1/2"	-	-	-	-	-		
5 1/4"	Std	-	-	-	17.5	18.0	18.5	
	3/4"	-	-	-	18.5	19.0		
	1 1/2"	-	-	-	19.5	20.0		
6"	Std	-	-	-	17.5	18.0	18.5	19.0
	3/4"	-	-	-	19.5	20.0		
	1 1/2"	-	-	-	20.0	20.5		
7"	Std	-	-	-	18.5	19.0	19.5	20.0
	3/4"	-	-	-	20.5	21.0		
	1 1/2"	-	-	-	21.0	21.5		
8" X 2"	Std	-	-	-	-	-	-	-
	3/4"	-	-	-	-	-	-	-
	1 1/2"	-	-	-	-	-	-	-
Frog Legs	Std	-	-	-	-	-	18.5	
	1 1/2"	-	-	-	-	-	20.0	

All 7" Casters								
Fork Size	Stem Size	Bolt Position						
		5	4	3	2	1		
Multi Position Short	Std	-	-	-	-	19.0		
	3/4"	-	-	-	-	19.5		
	1 1/2"	-	-	-	-	20.5		
Multi Position Tall	Std	-	-	-	19.5	20.0	20.5	21.0
	3/4"	-	-	-	21.0	21.5		
	1 1/2"	-	-	-	22.0	-		
3"	Std	-	-	-	-	-	-	-
	3/4"	-	-	-	-	-	-	-
	1 1/2"	-	-	-	-	-	-	-
5 1/4"	Std	-	-	-	-	18.5	19.0	
	3/4"	-	-	-	-	19.5	20.0	
	1 1/2"	-	-	-	-	20.0	20.5	
6"	Std	-	-	-	19.0	19.5	20.0	
	3/4"	-	-	-	20.0	20.5		
	1 1/2"	-	-	-	21.0	21.5		
7"	Std	-	-	-	19.5	20.0	20.5	21.0
	3/4"	-	-	-	21.0	21.5		
	1 1/2"	-	-	-	22.0	-		
8" X 2"	Std	-	-	-	-	-	-	-
	3/4"	-	-	-	-	-	-	-
	1 1/2"	-	-	-	-	-	-	-
Frog Legs	Std	-	-	-	-	-	-	-
	1 1/2"	-	-	-	-	-	-	-

All 8" x 1.5" Casters								
Fork Size	Stem Size	Bolt Position						
		5	4	3	2	1		
Multi Position Short	Std	-	-	-	-	-		
	3/4"	-	-	-	-	-		
	1 1/2"	-	-	-	-	-		
Multi Position Tall	Std	-	-	-	-	-		
	3/4"	-	-	-	-	-		
	1 1/2"	-	-	-	-	-		
3"	Std	-	-	-	-	-		
	3/4"	-	-	-	-	-		
	1 1/2"	-	-	-	-	-		
5 1/4"	Std	-	-	-	-	18.5	19.0	
	3/4"	-	-	-	-	19.5	20.0	
	1 1/2"	-	-	-	-	20.0	20.5	
6"	Std	-	-	-	19.0	19.5	20.0	
	3/4"	-	-	-	20.0	20.5		
	1 1/2"	-	-	-	21.0	21.5		
7"	Std	-	-	-	19.5	20.0	20.5	21.0
	3/4"	-	-	-	21.0	21.5		
	1 1/2"	-	-	-	22.0	-		
8" X 2"	Std	-	-	-	-	-	-	-
	3/4"	-	-	-	-	-	-	-
	1 1/2"	-	-	-	-	-	-	-
Frog Legs	Std	-	-	-	-	-	-	-
	1 1/2"	-	-	-	-	-	-	-

All 8" x 2" Casters						
Fork Size	Stem Size	Bolt Position				
		5	4	3	2	1
Multi Position Short	Std	-	-	-	-	-
	3/4"	-	-	-	-	-
	1 1/2"	-	-	-	-	-
Multi Position Tall	Std	-	-	-	-	-
	3/4"	-	-	-	-	-
	1 1/2"	-	-	-	-	-
3"	Std	-	-	-	-	-
	3/4"	-	-	-	-	-
	1 1/2"	-	-	-	-	-
5 1/4"	Std	-	-	-	-	-
	3/4"	-	-	-	-	-
	1 1/2"	-	-	-	-	-
6"	Std	-	-	-	-	-
	3/4"	-	-	-	-	-
	1 1/2"	-	-	-	-	-
7"	Std	-	-	-	-	-
	3/4"	-	-	-	-	-
	1 1/2"	-	-	-	-	-
8" X 2"	Std	-	-	-	19.5	20.5
	3/4"	-	-	-	20.0	21.0
	1 1/2"	-	-	-	22.0	-
Frog Legs	Std	-	-	-	-	-
	1 1/2"	-	-	-	-	-

All Other 8" Casters								
Fork Size	Stem Size	Bolt Position						
		5	4	3	2	1		
Multi Position Short	Std	-	-	-	-	-		
	3/4"	-	-	-	-	-		
	1 1/2"	-	-	-	-	-		
Multi Position Tall	Std	19.0	19.5	20.0	20.5	21.0		
	3/4"	-	-	-	21.5	22.0		
	1 1/2"	-	-	-	22.0	-		
3"	Std	-	-	-	-	-		
	3/4"	-	-	-	-	-		
	1 1/2"	-	-	-	-	-		
5 1/4"	Std	-	-	-	-	19.5		
	3/4"	-	-	-	-	20.0		
	1 1/2"	-	-	-	-	21.0		
6"	Std	-	-	-	-	19.5	20.0	
	3/4"	-	-	-	-	20.5	21.0	
	1 1/2"	-	-	-	-	21.0	21.5	
7"	Std	-	-	-	19.5	20.0	20.5	21.0
	3/4"	-	-	-	21.5	22.0		
	1 1/2"	-	-	-	22.0	-		
8" X 2"	Std	-	-	-	-	-	-	-