



Account #:	PO #	Discount:
Bill To:	Ship To:	Terms:
Address:	Address:	Freight:
Phone Contact:	Marked For:	

**Please always use www.pridemobility.com to access the most current version of this form.*

BASE FRAME

Description	Price
<input type="checkbox"/> Litestream XF LTD	\$1,500
Weight Capacity: 250 lbs. 16"x16" chair weight 27.5 lbs. (Equipped with standard components)	

COLOR SELECTION

<input type="checkbox"/> Black Abyss	Std
--------------------------------------	-----

SEATING

Width		Depth	
<input type="checkbox"/> 14"	NC	<input type="checkbox"/> 14"	NC
<input type="checkbox"/> 15"	NC	<input type="checkbox"/> 15"	NC
<input type="checkbox"/> 16"	NC	<input type="checkbox"/> 16"	NC
<input type="checkbox"/> 17"	NC	<input type="checkbox"/> 17"	NC
<input type="checkbox"/> 18"	NC	<input type="checkbox"/> 18"	NC
<input type="checkbox"/> 19"	\$105	<input type="checkbox"/> 19"	\$105
<input type="checkbox"/> 20"	\$105	<input type="checkbox"/> 20"	\$105

FRAME LENGTHS

<input type="checkbox"/> 16" (for 14"-16" seat depth)	NC
<input type="checkbox"/> 18" (for 16"-18" seat depth)	NC
<input type="checkbox"/> 20" (for 18"-20" seat depth)	NC

AXLE PLATE SELECTION

<input type="checkbox"/> 3 position quick height	Std
Mounting position	
<input type="checkbox"/> Standard <input type="checkbox"/> Amputee <input type="checkbox"/> Flipped	
<i>Refer to page 2 for mounting positions</i>	

SEAT-TO-FLOOR

Front	Rear
<input type="checkbox"/> 12" <input type="checkbox"/> 12.5"	<input type="checkbox"/> 12"
<input type="checkbox"/> 13" <input type="checkbox"/> 13.5"	<input type="checkbox"/> 13"
<input type="checkbox"/> 14" <input type="checkbox"/> 14.5"	<input type="checkbox"/> 14"
<input type="checkbox"/> 15" <input type="checkbox"/> 15.5"	<input type="checkbox"/> 15"
<input type="checkbox"/> 16" <input type="checkbox"/> 16.5"	<input type="checkbox"/> 16"
<input type="checkbox"/> 17" <input type="checkbox"/> 17.5"	<input type="checkbox"/> 17"
<input type="checkbox"/> 18" <input type="checkbox"/> 18.5"	

2" Maximum Dump
Max dump is restricted in lower STF heights due to anti-tipper interference with the ground.

ARMRESTS

Description	Price
<input type="checkbox"/> Height-Adjustable Dual-Post Flip-Back LTD arms include straight arm pads N/A w/ waterfall arm pads	9.25" - 15.25"H \$290pr
<input type="checkbox"/> Full Right <input type="checkbox"/> Desk Right <input type="checkbox"/> Full Left <input type="checkbox"/> Desk Left	
<input type="checkbox"/> Height -Adjustable Single-Post Arm pad selection for single-post arms	10" - 14"H \$290pr
<input type="checkbox"/> Standard <input type="checkbox"/> Waterfall <input type="checkbox"/> Full Right <input type="checkbox"/> Desk Right <input type="checkbox"/> Full Left <input type="checkbox"/> Desk Left	
<input type="checkbox"/> Height -Adjustable Single-Post Arm pad selection for single-post arms	9" - 14"H \$315pr
<input type="checkbox"/> Standard <input type="checkbox"/> Waterfall <input type="checkbox"/> Full Right <input type="checkbox"/> Desk Right <input type="checkbox"/> Full Left <input type="checkbox"/> Desk Left	

WHEEL LOCKS

<input type="checkbox"/> Push-to-Lock	Std
<i>Push-to-lock w/ extensions may cause interference with ELRs.</i>	
<input type="checkbox"/> Pull-to-Lock ^{1,3}	NC
<i>Pull-to-lock w/ extensions may cause interference with full-legth arms. N/A when drive wheels are set in the lowest STF option.</i>	
<input type="checkbox"/> Wheel Lock Extensions ²	\$30pr

BACK CANES

<input type="checkbox"/> 8° Back Canes with Push Handle	17" - 19"	Std
<input type="checkbox"/> 8° Back Canes with Push Handle	14" - 16"	NC
<input type="checkbox"/> 8° Back Canes with Push Handle	18" - 22"	NC
<input type="checkbox"/> Angle-Adjustable 15"-19" Back Canes with Push Handles		\$175
<input type="checkbox"/> Angle-Adjustable 18"-22" Back Canes with Push Handles		\$175

Cane heights are measured to the top of the upholstery

<input type="checkbox"/> Rigidizer Bar <i>Not covered by AADL</i>	\$420
<i>Available with 18-20"W seat widths</i>	

Arm Rest Height	Drive Wheel		
	20"	22"	24"
Rear STF Height			
9.5"	*12"	NA	NA
10.5"		*13"	NA
11.5"			*14"
12.5"			
13.5"			
14.5"			
15.5"			

** Minimal clearance between the drive wheel and underside of armrest.*

FOOTNOTES

1. Wheel lock extension required for use with pull-to-lock wheel locks.
2. Required with pull-to-lock wheel locks.
3. N/A with drive wheels in lowest STF option

BACK OPTIONS

Description	Price
<input type="checkbox"/> Omit Backrest Upholstery	NC
<input type="checkbox"/> Padded Back Sling w/ pocket	NC
<input type="checkbox"/> Adj. Tension Upholstery	\$125

CASTER WHEELS & FORK

<input type="checkbox"/> 1.25" x 4" Black Urethane	NC
<input type="checkbox"/> 1.5" x 5" Black Urethane	NC
<input type="checkbox"/> 1.5" x 6" Black Urethane	STD
<input type="checkbox"/> 1.5" x 8" Black Urethane <i>Not available with Frog Legs</i> 8" N/A w/ 70 degree swing-away legs when Comfort Adjust footplates are selected	NC
<input type="checkbox"/> Short Fork 5" Bolt-on	NC
<input type="checkbox"/> Short Fork 5" Quick-release <i>Some STF heights are not achievable with quick release. Refer to STF chart.</i>	\$30pr
<input type="checkbox"/> Tall Fork 8" Bolt-on	Std
<input type="checkbox"/> Tall Fork 8" Quick-release <i>Some STF heights are not achievable with quick release. Refer to STF chart.</i>	\$30pr
<input type="checkbox"/> 2" Extended caster stem (<i>req'd for front STF greater than 16.5"</i>) <i>Only available with 6" or 8" caster wheel and bolt-on fork</i> <i>N/A with frog legs</i>	NC
<input type="checkbox"/> Frog Legs <i>Not available with 8" casters Not covered by AADL</i>	\$475pr

PUSH WHEEL AXLE SELECTION

<input type="checkbox"/> Quick Release	Std
--	-----

PUSH WHEEL OPTIONS

Wheel Size	<input type="checkbox"/> 20" <input type="checkbox"/> 22" <input type="checkbox"/> 24"
Wheel Type	<input type="checkbox"/> Composite Std
Tire	<input type="checkbox"/> Solid Poly Treaded, Dark Grey Std
Hand Rim	<input type="checkbox"/> Aluminum Std
<input type="checkbox"/> Vinyl Coated	\$210
<input type="checkbox"/> Chrome <i>Only available with Composite Wheels</i>	\$60
<input type="checkbox"/> Projection	\$310
<input type="checkbox"/> 45° Oblique <input type="checkbox"/> Vertical	
<input type="checkbox"/> Natural Fit Handrims <i>Not covered by AADL</i> <i>(Only available with 22", 24" and 26" Spoke Wheels)</i>	
<input type="checkbox"/> Standard Grip	\$365
<input type="checkbox"/> Super Grip <i>Not covered by AADL</i>	\$415

FRONT SEAT-TO-FLOOR

STF heights may vary +/- 1/2"

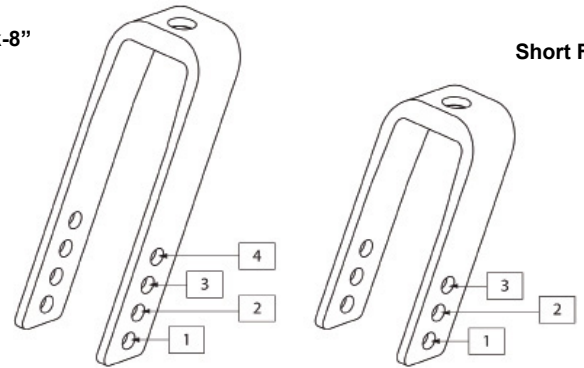
		FRONT SEAT-TO-FLOOR													
		12"	13"	14"	14.5"	15"	15.5"	16"	16.5"	17"	17.5"	18"	18.5"		
CASTER SIZE	4"	S3	S2	S1/ F3	T3/ F2	T2/ F1	T1								
	5"			S2	S1/ T4	T3/ F2	T2/ F1	T1							
	6"					S1/ T4	T3	T2/ F1	T1	T4X	T3X	T2X	T1X		
	8"										T2	T1			T2X T1X

S= Short Fork, T= Tall Fork, F= Frog Legs, X= 2" Caster stem extension

CASTER HOLE CONFIGURATION

Tall Fork-8"

Short Fork-5"



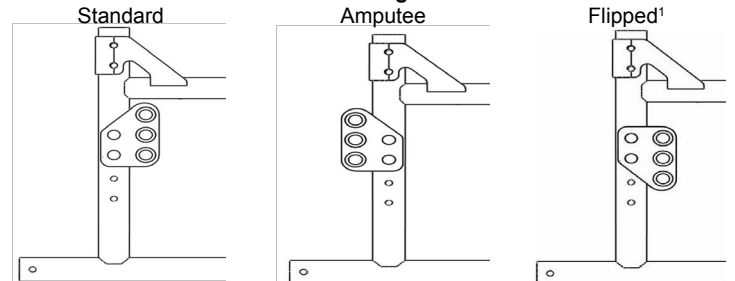
REAR SEAT-TO-FLOOR

STF heights may vary +/- 1/2"

REAR SEAT-TO-FLOOR				
Wheel	20"	22"	24"	26"
STF				
12"	T ²			
13"	M	T ²		
14"	B	M	T ²	
15"		B	M	T ²
16"			B	M
17"			BF	B

STF may vary +/- 1/2" depending on wheel type and user weight
 T= Top Hole of mounting bracket (*Pull-to-lock wheel locks N/A*)
 M= Middle Hole of mounting bracket
 B= Bottom Hole of mounting bracket
 F= Axle plate flipped

Axle Mounting Position



FOOTNOTES

- 1" of additional STF height can be achieved when using the axle plate in the flipped position.
- N/A with pull-to-lock wheel locks

FRONT RIGGING

Description	Price
Legrest Type (pair) All front riggings are Bi-directional Swing-Away	
<input type="checkbox"/> 60° Aluminum Drop-ins	\$235pr
<input type="checkbox"/> 70° Aluminum Drop-ins <i>N/A w/ 8" casters when Comfort-adjustable footplates are required</i>	\$235pr
<input type="checkbox"/> High-Pivot Elevating Leg Rests <i>N/A w/ 8" casters</i> Only Available on seat widths 16" & greater	\$415
<input type="checkbox"/> Std. Calf Pad <input type="checkbox"/> Depth Adjustable Calf Pad	

Footplates and Extensions

Refer to footplate compatibility and maximum legrest length charts on Page 4 for restrictions

<input type="checkbox"/> Flip-up Alum Footplate w/Heel Loop Footplate Size: <input type="checkbox"/> 6.5" x 6" ^{1/2} <input type="checkbox"/> 8" x 6"	Std
Extension Length: <input type="checkbox"/> Short <input type="checkbox"/> Medium	
<input type="checkbox"/> Comfort Adj. Composite Footplate ¹ <i>NA w/ 70° Legrest Hanger when 8" casters are required</i> <input type="checkbox"/> 4.25" W <input type="checkbox"/> 5" W <input type="checkbox"/> 6" W	\$135pr
<input type="checkbox"/> Nylon Heel Loops	\$40pr
<input type="checkbox"/> Aluminum Ang-Adj. Footplates Standard with Heel Loops <input type="checkbox"/> 5.5" W <input type="checkbox"/> 6.5" W <input type="checkbox"/> 7.5" W	\$235pr
<input type="checkbox"/> Omit heel loops	(-\$40pr)
<input type="checkbox"/> Wheel Bumpers	\$30pr
Legrest Lower Extensions	NC
<i>For use with Comfort Adjust and Angle Adjust footplates only</i> <input type="checkbox"/> Short <input type="checkbox"/> Medium <input type="checkbox"/> Long <i>For more detailed measurements refer to page 4 of the order form</i>	

- Not available w/ 70 degree leg rests when 8" casters are selected.
- 16" W or smaller require smaller footplate.

ACCESSORIES

<input type="checkbox"/> Adjustable Rear, Anti-tip Wheels	\$100pr
<input type="checkbox"/> Lap Belt	\$65
<input type="checkbox"/> Case Logic Under the Seat Organizer <i>N/A on seat widths less than 16"</i>	\$135
	<i>Not covered by AADL</i>
<input type="checkbox"/> Touch up Paint	<i>Not covered by AADL</i> \$40
<input type="checkbox"/> Tool Kit	<i>Not covered by AADL</i> \$15
<input type="checkbox"/> Cane/Crutch Holder <i>NA w/ Transit kit</i>	<i>Not covered by AADL</i> \$100
<input type="checkbox"/> Unoccupied Transport Kit <i>NA w/ Cane/Crutch Holder</i>	\$175

FOOTPLATE COMPATABILITY CHART

Maximum Footplate Size Is Measured To Provide 3/4" Minimum Between Footplates

Chair Width	4.25" W Composite & 5.5" W Aluminum	5" W Composite & 6.5" W Aluminum	6" W Composite & 7.5" W Aluminum
14"	4.25" W Composite Only	N/A	N/A
15"	✓	N/A	N/A
16"	✓	N/A	N/A
17"	✓	✓	N/A
18"	✓	✓	N/A
19"	✓	✓	✓
20"	✓	✓	✓
21"	✓	✓	✓

MAXIMUM LEG LENGTH CHARTS

Maximum Leg Length in measured with 3/4" minimum ground clearance

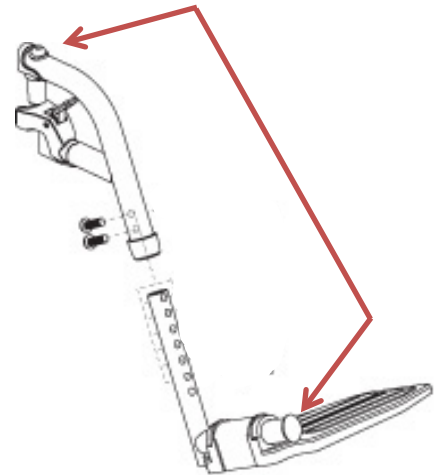
All measurements in inches

STF		60 degree		70 degree		60°	70°
front	rear	A/A	C/A	A/A	C/A	Aluminum flip-up	
12	12	12.25	12.25	11.5	11.5	12.5	11.75
12.5	12	13.5	13.75	12.25	12.25	13.25	12.5
13	13	13.5	13.75	12.25	12.25	14	12.5
13	12	14.25	14.5	13	13	14	12.5
13.5	13	15	14.5	13.75	13.75	14.75	13.25
13.5	12	15	14.5	13.75	13.75	15.5	14
14	14	14.25	14.5	13.75	13.75	14.75	14
14	13	15	15.25	14.5	14.5	15.5	14.75
14	12	15.5	15.75	15.25	15.25	15.5	15.5
14.5	14	16.25	15.75	15.25	15.25	16.25	15.5
14.5	13	16.25	15.75	15.25	15.25	16.25	15.5
14.5	12	17	16.5	15.75	15.75	17	16.25
15	15	15.5	15.75	15	15	15.5	15.5
15	14	16.25	16.5	15.75	15.75	16.25	16.25
15	13	17	17.25	16.5	16.5	17	16.25
15.5	15	17	17.25	15.75	15.75	17	16.25
15.5	14	17	17.25	15.75	15.75	17	16.25
15.5	13	17.75	18	16.5	16.5	17.25	17
16	16	17	17.25	15.75	15.75	17	15.5
16	15	17.75	18	16.5	16.5	17.75	17
16	14	18.25	18.5	17.25	17.25	18.5	17.75
16.5	16	18.25	18.5	16.5	16.5	18.5	17
16.5	15	18.25	18.5	16.5	16.5	18.5	17
16.5	14	19	19.25	17.25	17.25	19.25	17.75
17	17	18.25	18.5	16.5	16.5	18.5	17
17	16	19	19.25	17.25	17.25	19.25	18.5
17	15	19.75	20	18	18	19.25	18.5
17.5	17	19.75	20	17.75	17.75	19.25	18.5
17.5	16	19.75	20	17.75	17.75	19.25	19.25
17.5	15	20.5	20.75	18.5	18.5	19.25	19.25
18	17	20.5	20.75	18.5	18.5	19.25	19.25
18	16	20.5	20.75	19.25	19.25	19.25	19.25
18.5	17	20.5	20.75	19.25	19.25	19.25	19.25
18.5	16	20.5	20.75	20	20	19.25	19.25

LOWER LEGREST EXTENSION LENGTHS

All measurements in inches

Extension Range			
Footplate	Short	Medium	Long
Aluminum & Composite	12-15.5	14.5-18	17-21
Flip Up	13-16	15.5-19	N/A



The legrest extension length is measured from the top of the footplate at the extension tube to the top legrest hanger at the pivot cap screw.

Footnotes/Rules:

- Medium and Long legrest extension for A/A and C/A footplates are not available on 60 degree hangers with front STF's less than 13.5". Medium and Long legrest extension for A/A and C/A footplates are not available on 70 degree hangers with front STF's less than 15"
- Long legrest extension for A/A and C/A footplates are not available on 60 degree hangers with front STF's less than 16". Long legrest extension for A/A and C/A footplates are not available on 70 degree hangers with front STF's less than 17.5"
- Front STF greater than 16.5" requires caster barrel extension.