

Phone (800) 981-1540 | Fax (715) 254-0996
 sales@kimobility.com | www.kimobility.com

AADL CAT #W119

Effective 07/01/2015

Company: _____

Ship To: _____

Account Number: _____ Date: _____

Address: _____

Quote PO Number: _____

City: _____ State: _____

RTS: _____

Zip: _____ Phone: _____

Marked For: _____

Email/Fax: _____

Little Wave XP **\$2995**
Little Wave Width Grow-able Frame. 250 lb weight capacity.

Frame

Seat Width / Seat Depth

Select box corresponding to desired Seat Width and Depth.
 See references A and B on page 6.

| | | Seat Width | | | | | | |
|------------|-----|--------------------------|--------------------------|--------------------------|--------------------------|--------------------------|--------------------------|--------------------------|
| | | 10" | 11" | 12" | 13" | 14" | 15" | 16" |
| Seat Depth | 10" | <input type="checkbox"/> | <input type="checkbox"/> | <input type="checkbox"/> | <input type="checkbox"/> | <input type="checkbox"/> | <input type="checkbox"/> | <input type="checkbox"/> |
| | 11" | <input type="checkbox"/> | <input type="checkbox"/> | <input type="checkbox"/> | <input type="checkbox"/> | <input type="checkbox"/> | <input type="checkbox"/> | <input type="checkbox"/> |
| | 12" | <input type="checkbox"/> | <input type="checkbox"/> | <input type="checkbox"/> | <input type="checkbox"/> | <input type="checkbox"/> | <input type="checkbox"/> | <input type="checkbox"/> |
| | 13" | <input type="checkbox"/> | <input type="checkbox"/> | <input type="checkbox"/> | <input type="checkbox"/> | <input type="checkbox"/> | <input type="checkbox"/> | <input type="checkbox"/> |
| | 14" | <input type="checkbox"/> | <input type="checkbox"/> | <input type="checkbox"/> | <input type="checkbox"/> | <input type="checkbox"/> | <input type="checkbox"/> | <input type="checkbox"/> |
| | 15" | <input type="checkbox"/> | <input type="checkbox"/> | <input type="checkbox"/> | <input type="checkbox"/> | <input type="checkbox"/> | <input type="checkbox"/> | <input type="checkbox"/> |
| | 16" | <input type="checkbox"/> | <input type="checkbox"/> | <input type="checkbox"/> | <input type="checkbox"/> | <input type="checkbox"/> | <input type="checkbox"/> | <input type="checkbox"/> |

Sling Position

In Performance Position (0"), sling is at front of frame. The 1" or 2" sling position extends the frame in front of the sling by that amount.
 See reference C on page 6

- 0" (Performance) _____ N/C
- 1" _____ N/C
- 2" (Classic) _____ N/C

Backrest

Back Post / Height Range / Back Height

Select Back Height in row corresponding to desired Back Post and Height Range. 16" maximum Back Height with 10" - 12" Seat Widths.

| Back Post | Price | Height Range | Back Height | | | | |
|---------------------------|-------|--------------|-----------------------------|-----------------------------|-----------------------------|-----------------------------|-----------------------------|
| Height Adjustable | N/C | Short | <input type="checkbox"/> 11 | <input type="checkbox"/> 12 | <input type="checkbox"/> 13 | <input type="checkbox"/> 14 | |
| | | Medium | <input type="checkbox"/> 13 | <input type="checkbox"/> 14 | <input type="checkbox"/> 15 | <input type="checkbox"/> 16 | <input type="checkbox"/> 17 |
| | | Tall | <input type="checkbox"/> 17 | <input type="checkbox"/> 18 | | | |
| Fixed Height ¹ | \$81 | | <input type="checkbox"/> 9 | <input type="checkbox"/> 10 | <input type="checkbox"/> 11 | <input type="checkbox"/> 12 | <input type="checkbox"/> 13 |
| | | | <input type="checkbox"/> 14 | <input type="checkbox"/> 15 | <input type="checkbox"/> 16 | <input type="checkbox"/> 17 | <input type="checkbox"/> 18 |
| Offset ² | \$119 | | <input type="checkbox"/> 11 | <input type="checkbox"/> 12 | <input type="checkbox"/> 13 | <input type="checkbox"/> 14 | <input type="checkbox"/> 15 |
| | | | <input type="checkbox"/> 16 | <input type="checkbox"/> 17 | | | |

¹ Uses 1" tubes compatible with aftermarket backs. Not available with back upholstery.

² Fixed Height. Adjustable Height Rigidizer Bar Included.

A1 = Clients Responsibility

A2 = Clinical Justification

Transit Option

125 lb maximum weight capacity

- Transit System (A1) _____ \$299

Adjustable Depth

Adds the capability to grow seat in depth.

- No Rear Adjustment _____ N/C
- 1/2" _____ N/C
- 1" _____ N/C
- 2" _____ N/C
- 3" _____ N/C

Long Sling Available only with 1", 2" and 3" Adjustable Depth

- Long Sling (Sling will be maximum 2" longer than seat depth) _____ N/C

Front Frame Bend

Angle between front seat tube and ground. See reference D on page 6.

- 90° _____ N/C
Not available with 6" casters
- 85° _____ N/C
Not available with 6" casters
- 80° _____ N/C
- 75° _____ N/C
- 70° _____ N/C

Push Handle

- Omit Push Handles _____ N/C
- Standard Push Handles _____ \$19
Not available on Offset Back Posts with 11" - 14" Back Heights

Offset Back Post Option

Selection required with Offset Back Posts. Not available with Height Adjustable or Fixed Height Back Posts. Each back post is offset 1" creating 2" overall offset.

- 2" Inward Offset _____ N/C
- 2" Outward Offset _____ N/C
Not available with Swing Away Armrests

Backrest continued

Stroller Handle

Stroller Handles are removable and height adjustable.

Single Stroller Handle (A2) _____ \$206

Double Stroller Handle (A1) _____ \$399

Not available with Push Handles or 10" Seat Width

Set Handle Height at: _____

Seat Back Angle

Standard is 90° (perpendicular to floor). Minus (-°) closes back angle. Plus (+°) opens back angle.

Standard +3° +6° +9°

-3° -6° -9° -12°

Rigidizer Bar

Included with Offset Back Posts

Adjustable Height Rigidizer Bar _____ \$19

Back Upholstery

Available only with Height Adjustable Back Posts

Padded Velcro Adjustable _____ Std

Tension Adjustable _____ \$295

Omit Back Upholstery _____ N/C

Front Seat Height and Casters

Caster Size / Footrest Taper / Front Seat Height

Select Front Seat Height in row corresponding to desired Footrest Taper and Caster Size. 6" Casters not available with Seat Depths less than 13". Footrest Taper indicates bend of front frame creating footrest width. Taper is measured from outside of seat frame to outside of front tube. See reference E on page 6.

Front Seat Height is measured from floor to top of seat tube at front of seat sling. Adjustable up or down by 1/2". See reference F on page 6.

| Footrest Taper | Caster Size | Front Seat Height | | | | | | | | | | | | | | |
|----------------|-------------|-------------------------------|-------------------------------|-------------------------------|-------------------------------|-------------------------------|-------------------------------|-------------------------------|-------------------------------|-------------------------------|-------------------------------|-------------------------------|-------------------------------|-------------------------------|-------------------------------|-------------------------------|
| | | <input type="checkbox"/> 11.5 | <input type="checkbox"/> 12 | <input type="checkbox"/> 12.5 | <input type="checkbox"/> 13 | <input type="checkbox"/> 13.5 | <input type="checkbox"/> 14 | <input type="checkbox"/> 14.5 | <input type="checkbox"/> 15 | <input type="checkbox"/> 15.5 | <input type="checkbox"/> 16 | <input type="checkbox"/> 16.5 | <input type="checkbox"/> 17 | <input type="checkbox"/> 17.5 | <input type="checkbox"/> 18 | <input type="checkbox"/> 18.5 |
| Straight | 3" | <input type="checkbox"/> 11.5 | <input type="checkbox"/> 12 | <input type="checkbox"/> 12.5 | <input type="checkbox"/> 13 | <input type="checkbox"/> 13.5 | <input type="checkbox"/> 14 | <input type="checkbox"/> 14.5 | <input type="checkbox"/> 15 | <input type="checkbox"/> 15.5 | <input type="checkbox"/> 16 | <input type="checkbox"/> 16.5 | <input type="checkbox"/> 17 | <input type="checkbox"/> 17.5 | <input type="checkbox"/> 18 | <input type="checkbox"/> 18.5 |
| | 4" | <input type="checkbox"/> 12.5 | <input type="checkbox"/> 13 | <input type="checkbox"/> 13.5 | <input type="checkbox"/> 14 | <input type="checkbox"/> 14.5 | <input type="checkbox"/> 15 | <input type="checkbox"/> 15.5 | <input type="checkbox"/> 16 | <input type="checkbox"/> 16.5 | <input type="checkbox"/> 17 | <input type="checkbox"/> 17.5 | <input type="checkbox"/> 18 | <input type="checkbox"/> 18.5 | <input type="checkbox"/> 19 | <input type="checkbox"/> 19.5 |
| | 5" | <input type="checkbox"/> 13.5 | <input type="checkbox"/> 14 | <input type="checkbox"/> 14.5 | <input type="checkbox"/> 15 | <input type="checkbox"/> 15.5 | <input type="checkbox"/> 16 | <input type="checkbox"/> 16.5 | <input type="checkbox"/> 17 | <input type="checkbox"/> 17.5 | <input type="checkbox"/> 18 | <input type="checkbox"/> 18.5 | <input type="checkbox"/> 19 | <input type="checkbox"/> 19.5 | <input type="checkbox"/> 20 | <input type="checkbox"/> 20.5 |
| | 6" | <input type="checkbox"/> 14 | <input type="checkbox"/> 14.5 | <input type="checkbox"/> 15 | <input type="checkbox"/> 15.5 | <input type="checkbox"/> 16 | <input type="checkbox"/> 16.5 | <input type="checkbox"/> 17 | <input type="checkbox"/> 17.5 | <input type="checkbox"/> 18 | <input type="checkbox"/> 18.5 | <input type="checkbox"/> 19 | <input type="checkbox"/> 19.5 | <input type="checkbox"/> 20 | <input type="checkbox"/> 20.5 | |
| 1" Taper | 3" | <input type="checkbox"/> 14.5 | <input type="checkbox"/> 15 | <input type="checkbox"/> 15.5 | <input type="checkbox"/> 16 | <input type="checkbox"/> 16.5 | <input type="checkbox"/> 17 | <input type="checkbox"/> 17.5 | <input type="checkbox"/> 18 | <input type="checkbox"/> 18.5 | <input type="checkbox"/> 19 | <input type="checkbox"/> 19.5 | <input type="checkbox"/> 20 | <input type="checkbox"/> 20.5 | | |
| | 4" | <input type="checkbox"/> 15.5 | <input type="checkbox"/> 16 | <input type="checkbox"/> 16.5 | <input type="checkbox"/> 17 | <input type="checkbox"/> 17.5 | <input type="checkbox"/> 18 | <input type="checkbox"/> 18.5 | <input type="checkbox"/> 19 | <input type="checkbox"/> 19.5 | <input type="checkbox"/> 20 | <input type="checkbox"/> 20.5 | | | | |
| | 5" | <input type="checkbox"/> 16.5 | <input type="checkbox"/> 17 | <input type="checkbox"/> 17.5 | <input type="checkbox"/> 18 | <input type="checkbox"/> 18.5 | <input type="checkbox"/> 19 | <input type="checkbox"/> 19.5 | <input type="checkbox"/> 20 | <input type="checkbox"/> 20.5 | | | | | | |
| | 6" | <input type="checkbox"/> 17 | <input type="checkbox"/> 17.5 | <input type="checkbox"/> 18 | <input type="checkbox"/> 18.5 | <input type="checkbox"/> 19 | <input type="checkbox"/> 19.5 | <input type="checkbox"/> 20 | <input type="checkbox"/> 20.5 | | | | | | | |

Caster Type

.75" Rollerblade _____ N/C

Available only with 3" and 4" Caster Sizes

.75" Lighted Rollerblade (A1)

3" (A1) _____ \$88

4" (A1) _____ \$88

1" Poly _____ N/C

Not available with 3" Caster Size

1" Poly Aluminum (A1)

4" (A1) _____ \$144

5" (A1) _____ \$144

1" Pneumatic _____ \$100

Available only with 6" Caster Size

1.5" Poly _____ \$63

Available only with 5" and 6" Caster Sizes

1.5" Soft Roll Aluminum (A1)

3" (A1) _____ \$194

4" (A1) _____ \$219

5" (A1) _____ \$231

6" (A1) _____ \$250

Fork Options

Standard Fork _____ Std

Single Sided Fork (A1) _____ \$156

Not available with 6" Casters.

Frog Legs Fork (A1) _____ \$425

End User Weight Required: _____ lbs

A1 = Clients Responsibility
 A2 = Clinical Justification

Footrest

Footplate

- Tubular "Open" Footplate _____ N/C
Not available with footrest widths less than 9.5".
 See Reference G on page 6 for further explanation.
- Tubular Footplate with ABS Cover _____ \$38
Not available with footrest widths less than 9.5".
 See Reference G on page 6 for further explanation.
- Aluminum Angle Adjustable _____ \$119
- Aluminum Angle Adjustable with Riser _____ \$231
- High Mount Aluminum Angle Adjustable _____ \$200
- Angle Adjustable Flip Under (A2) _____ \$231
6" Casters may have conflicts in certain configurations. Not available with
 footrest widths less than 9.5"
 See Reference G on page 6. Contact customer service for more information.

Seat to Footrest Length

Select desired Seat to Footrest Length.
 Measured from front edge of seat sling to top, rear of footrest.
 Footrest length of at least 2.5" shorter than Front Seat Height
 recommended. See reference H on page 6.

| | | | | | |
|--------------------------------|------------------------------|--------------------------------|------------------------------|--------------------------------|------------------------------|
| <input type="checkbox"/> 5.5" | <input type="checkbox"/> 6" | <input type="checkbox"/> 6.5" | <input type="checkbox"/> 7" | <input type="checkbox"/> 7.5" | <input type="checkbox"/> 8" |
| <input type="checkbox"/> 8.5" | <input type="checkbox"/> 9" | <input type="checkbox"/> 9.5" | <input type="checkbox"/> 10" | <input type="checkbox"/> 10.5" | <input type="checkbox"/> 11" |
| <input type="checkbox"/> 11.5" | <input type="checkbox"/> 12" | <input type="checkbox"/> 12.5" | <input type="checkbox"/> 13" | <input type="checkbox"/> 13.5" | <input type="checkbox"/> 14" |
| <input type="checkbox"/> 14.5" | <input type="checkbox"/> 15" | <input type="checkbox"/> 15.5" | <input type="checkbox"/> 16" | <input type="checkbox"/> 16.5" | <input type="checkbox"/> 17" |

Rear Seat Height and Wheels

Wheel Size / Rear Seat Height

Select Rear Seat Height in row corresponding to desired Wheel Size
 Measured from floor to top of seat tube at front of back post. Rear Seat Height is custom to needs. See reference I on page 6.
 Note: For proper setup, selection is required when omitting rear wheels.

| Wheel Size | Rear Seat Height | | | | | | | | | | | | | | | |
|------------|--|-----------------------------|-------------------------------|-----------------------------|-------------------------------|-----------------------------|-------------------------------|-----------------------------|-------------------------------|-----------------------------|-------------------------------|-----------------------------|-------------------------------|-----------------------------|-------------------------------|-----------------------------|
| 20" | <input type="checkbox"/> 12.5 ¹ | <input type="checkbox"/> 13 | <input type="checkbox"/> 13.5 | <input type="checkbox"/> 14 | <input type="checkbox"/> 14.5 | <input type="checkbox"/> 15 | <input type="checkbox"/> 15.5 | <input type="checkbox"/> 16 | <input type="checkbox"/> 16.5 | <input type="checkbox"/> 17 | <input type="checkbox"/> 17.5 | <input type="checkbox"/> 18 | <input type="checkbox"/> 18.5 | <input type="checkbox"/> 19 | <input type="checkbox"/> 19.5 | <input type="checkbox"/> 20 |
| 22" | <input type="checkbox"/> 13.5 ¹ | <input type="checkbox"/> 14 | <input type="checkbox"/> 14.5 | <input type="checkbox"/> 15 | <input type="checkbox"/> 15.5 | <input type="checkbox"/> 16 | <input type="checkbox"/> 16.5 | <input type="checkbox"/> 17 | <input type="checkbox"/> 17.5 | <input type="checkbox"/> 18 | <input type="checkbox"/> 18.5 | <input type="checkbox"/> 19 | <input type="checkbox"/> 19.5 | <input type="checkbox"/> 20 | | |
| 24" | <input type="checkbox"/> 14.5 ¹ | <input type="checkbox"/> 15 | <input type="checkbox"/> 15.5 | <input type="checkbox"/> 16 | <input type="checkbox"/> 16.5 | <input type="checkbox"/> 17 | <input type="checkbox"/> 17.5 | <input type="checkbox"/> 18 | <input type="checkbox"/> 18.5 | <input type="checkbox"/> 19 | <input type="checkbox"/> 19.5 | <input type="checkbox"/> 20 | | | | |

¹ Available only with Low Profile Rear Tire Type

Rear Wheel Type

- Spoke (A1) _____ N/C
- Mag _____ \$63

Rear Tire Type

Full Profile

- Street Pneumatic 1 3/8" _____ Std
- Full Profile Poly 1 3/8" _____ \$94
- Pneumatic with Airless Insert 1 3/8" (A1) _____ \$119

Low Profile

- Low Profile Poly 1" _____ \$94
- High Pressure 1" (A1) _____ \$119
Not available on Mag
- Schwalbe Marathon Plus Evolution 1" (A1) _____ \$156
Available only on 24" Spoke

Handrim

Standard Handrims

- Aluminum Anodized _____ Std
- Plastic Coated _____ \$119
- Projection (8 Vertical Projections) _____ \$299
Available on 22" and 24" Spoke wheels & 24" Mag wheels with full tires
- Omit Handrim _____ N/C

Rear Seat Height and Wheels continued

Rear Wheel Spacing

Measured from outside of back to inside of rear tire. Adjustable out 1/2" from setting. 1.5" minimum Rear Wheel Spacing with Height Adjustable T-Arm Armrest, 1.25" minimum with Height Adjustable Pediatric Desk Armrest, 1" minimum with 0° Rear Wheel Camber. See reference K on page 6.

- .75" 1" 1.25" 1.5" 1.75"

Rear Wheel Camber

- 0° 2° 4° 6° 8°

Axle

- Quick Release _____ Std
 Quad Quick Release _____ \$231
Not available with Mag wheels

Center of Gravity Preset

Select desired Center of Gravity Preset. Measured from front of back post to center of rear axle. 0" indicates axle will be directly under back post. See reference J on page 6.

Amputee Positions

| | | | |
|--------------------------------|---------------------------------|------------------------------|--------------------------------|
| <input type="checkbox"/> -1.5" | <input type="checkbox"/> -1.25" | <input type="checkbox"/> -1" | <input type="checkbox"/> -.75" |
| <input type="checkbox"/> -.5" | <input type="checkbox"/> -.25" | <input type="checkbox"/> 0" | <input type="checkbox"/> .25" |

Standard Positions

| | | | |
|-------------------------------|--------------------------------|-----------------------------|--------------------------------|
| <input type="checkbox"/> .5" | <input type="checkbox"/> .75" | <input type="checkbox"/> 1" | <input type="checkbox"/> 1.25" |
| <input type="checkbox"/> 1.5" | <input type="checkbox"/> 1.75" | <input type="checkbox"/> 2" | <input type="checkbox"/> 2.25" |
| <input type="checkbox"/> 2.5" | <input type="checkbox"/> 2.75" | <input type="checkbox"/> 3" | <input type="checkbox"/> 3.25" |
| <input type="checkbox"/> 3.5" | <input type="checkbox"/> 3.75" | <input type="checkbox"/> 4" | <input type="checkbox"/> 4.25" |

Wheel Locks

Wheel Lock

- Push to Lock _____ Std
 Pull to Lock _____ N/C
 Short Thro Scissor Lock (A1) _____ \$156
 Omit Wheel Locks _____ N/C

Wheel Lock Options

- Extension Handles _____ \$84
Available only with Push to Lock or Pull to Lock Wheel Locks. Not available with Grade Aids.
 Grade Aids (A2) _____ \$187
*Available only with Push to Lock Wheel Locks and Pneumatic or Pneumatic w/ Airless Insert Rear Tire Types
 Not available with Extension Handles.*

Armrests

Armrest Please select Arm Pad option

- Height Adjustable T-Arm (8.5" - 13.5") _____ \$295
*Not available with Side Guards or Seat Depths less than 13".
 1.5" minimum Rear Wheel Spacing.*
 Angle Adjustable Locking Flip Up Extendable _____ \$295
Requires Fixed Height Backrest and Adjustable Height Rigidizer Bar

Arm Pad

Not available with Height Adjustable Pediatric Desk, Tubular Flip Up or Swing Away Armrests

- Desk Full

Armrest continued

- Tubular Flip Up _____ \$63
*Not available with Arm Pads or Seat Widths greater than 14".
 Requires Fixed Height Backrest and Adjustable Height Rigidizer Bar*
 Height Adjustable Pediatric Desk (6.5" - 10") _____ \$295
*Not available with Side Guards. Best fit with Seat Depths less than 14".
 User weight limit: 165 lbs. 1.25" minimum Rear Wheel Spacing.*
 Swing Away (7.5" - 10.5") _____ \$195
*Not available with Transit System AND more than 2" Adjustable Depth.
 Not available with Arm Pads or Outward Offset Back Posts.*
 Omit Armrests _____ N/C

Side Guards

Removable Side Guards

Not available with Height Adjustable Armrests. Includes direct mount receiver.

- Composite Side Guards - Adult (14" - 16") _____ \$175
 Composite Side Guards - Pediatric (10" - 14") _____ \$175

Accessories

5th Wheel

Rotating removable rear caster. Not available with 24" wheels or anti-tips. See reference L on page 6.

5th Wheel E0971 _____ \$263

Anti-Tip

Not available with 5th wheel

Rear Anti-Tips _____ \$140

Positioning Belt

1" Auto Buckle _____ \$70

Calf Strap

Velcro Adjustable _____ \$44

Other Accessories

Tool Kit (A1) _____ \$45

Underseat Pouch (A1) _____ \$50
Not available with 10" - 13" Seat Widths

Ki Mobility Backpack (A1) _____ \$65

Black Neoprene Impact Guards _____ \$85

Clear Spoke Guards _____ \$144
Not available with Mag wheels

Black Spoke Guards _____ \$144
Not available with 20" wheels or Mag wheels

Cane and Crutch Holder (A1) _____ \$195

Frame Color

Gloss Finish

Black _____ N/C

Candy Blue _____ N/C

References

A. Seat Width See Diagram 1

Measured from outside of frame tube on one side to outside of frame tube on other side.

B. Seat Depth See Diagram 3

Measured from front of back posts to front edge of seat sling. Seat sling starts at beginning of bend at front of frame.

C. Sling Position See Diagram 2

In Performance Position (0°), sling is at front of frame to keep chair shorter and more maneuverable. The 1" or 2" seat sling position extends the frame in front of the sling by that amount. Adding more frame can improve stability and provide support to aid in transfers.

D. Front Frame Bend See Diagram 3

Angle between front seat tube and ground.

E. Footrest Taper See Diagram 1

Indicates bend of front frame creating footrest. Taper is measured from outside of seat frame to outside of front tube.

F. Front Seat Height See Diagram 1

Measured from floor to top of seat tube at front of seat sling.

G. Footrest Width See Diagram 1

Measured from inside of front tube to inside of front tube on other side. Footrest width is listed below for each seat width and taper.

| Seat Width | Straight | 1" Taper |
|---------------------|-----------------------------|-----------------------------|
| Outside Measurement | 2" Narrower than Seat Width | 4" Narrower than Seat Width |
| 10" | 7.5" | |
| 11" | 8.5" | |
| 12" | 9.5" | 7.5" |
| 13" | 10.5" | 8.5" |
| 14" | 11.5" | 9.5" |
| 15" | 12.5" | 10.5" |
| 16" | 13.5" | 11.5" |

H. Seat to Footrest Length See Diagram 3

Measured from front edge of seat sling to top of rear of footrest. Footrest length of at least 2.5" shorter than front seat height recommended.

I. Rear Seat Height See Diagram 3

Measured from floor to top of seat tube at front of back post. Rear seat height is custom to needs.

J. Center of Gravity Preset See Diagram 3

Measured from front of back post to center of rear axle. 0" indicates axle will be directly under back post.

K. Rear Wheel Spacing See Diagram 1

Measured from outside of seat back to inside of rear tire. Adjustable out .5" from setting.

L. 5th Wheel See Diagram 4

Rotating removable 5th wheel allows for aggressive center of gravity positioning of the rear wheels.

A1 = Clients Responsibility
 A2 = Clinical Justification

Diagram 1

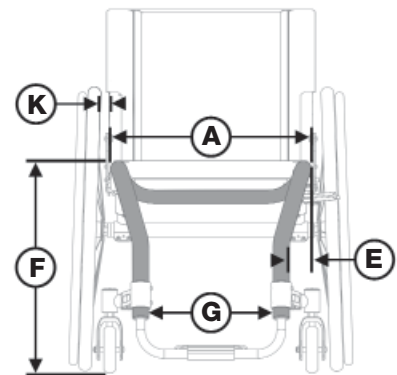


Diagram 2

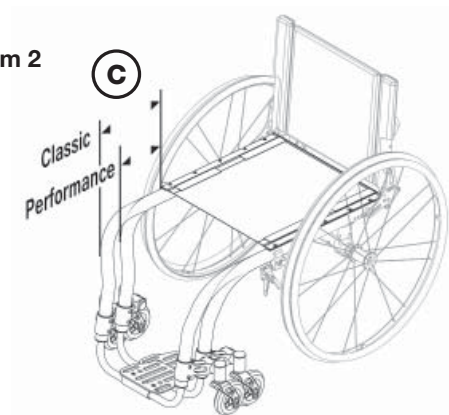


Diagram 3

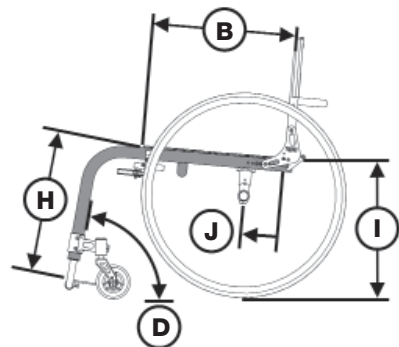


Diagram 4

