



MEDmobility

5711- Calgary Trail NW
Edmonton AB T6H 2K1
P: 780-437-3300
F: 780-430-9381
www.medmobility.ca

FOR AADL ONLY
AADL Cat. #W155

Invacare® MyOn™ Active
Performance Wheelchair
Suggested Canadian Price List
Effective Oct. 1st, 2016

NAME _____ PHONE NO _____

ACCOUNT# _____ P.O. _____ DATE _____

ADDRESS _____

FRAME SELECTION

FRAME TYPE

MYONAC MyOn Active Folding Wheelchair \$2,575

FRAME WIDTH

Must refer to Width, Depth and Depth Range Matrix for available options.

W20 20" Wide (Please Select Regular or Heavy Duty) No Charge

W22 22" Wide (Heavy Duty) No Charge

Excludes D16, D17.

W24 24" Wide (Heavy Duty) No Charge

Excludes D16, D17.

HEAVY DUTY OPTION

HDPG Heavy Duty Package No Charge

Optional with W20. Standard HD with W22 and W24. Must select FIX02P or FIX020.

Only compatible with casters: AT903 and AT1292, arms: TAHD, REDL, REFL. Not compatible with spoke wheels or dual handrims.

SEAT DEPTH

D16 16" Seat Depth No Charge

D17 17" Seat Depth No Charge

D17 uses 16"+ 1" extension and adj. depth upholstery. Not available with W22 and W24.

D18 18" Seat Depth No Charge

D19 19" Seat Depth No Charge

D19 uses 18"+ 1" extension and adj. depth upholstery. Only available with W22 and W24.

D20 20" Seat Depth No Charge

FRONT SEAT-TO-FLOOR HEIGHT

FSTF18 Seat-to-floor 18" No Charge

FSTF19 Seat-to-floor 19" No Charge

FSTF20 Seat-to-floor 20" No Charge

REAR AXLE POSITION

ACTIVE Active (In front of Back Cane)

Active position interferes if all listed are selected together:

WLPULL/WLPUSH/WLPULLX/WLPUSHX and FFHD/FFHF/FAHD/FAH and FSTF16/FSTF15/FSTF14.

To use flip back arms with ACTIVE position, FSTF must be 17" or higher.

STABLE Stable (Behind Back Cane)

Not available with 20" rear wheels.

Standard

No Charge



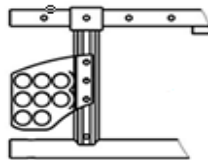
Regular Frame Weight Capacity 275 lbs
Heavy Duty Frame Weight Capacity 350 lbs

MYONAC SEATING MATRIX (Canada)								
Seat Depth \ Seat Width	Seat Width							
	W15	W16	W17	W18	W19	W20	W22	W24
D15	X	X	X	X	X	X	X	X
D16	Y	Y	Y	Y	Y	Y	Y	O
D17	Y	Y	Y	Y	Y	Y	O	O
D18	Y	Y	Y	Y	Y	Y	O	O
D19	Y	Y	Y	Y	Y	Y	Y	Y
D20	Y	Y	Y	Y	Y	Y	Y	Y

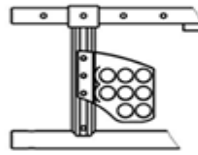
Y Compatible
X Not compatible
O Must Omit Upholstery

Front Seat to Floor Height Chart										
Myon & Myon AC	20			22			24			
	FSTF	5	6	8	5	6	8	5	6	8
14	X									
15	X			X						
16	X	X		X	X		X	X		
17	X	X		X	X		X	X		
18	X		X	X	X	X	X	X	X	X
19						X		X	X	X
20										X

 Flush Seat Slope Only
 Flush & 1" Seat Slope
 Flush, 1", and 2" Seat Slope
 1" & 2" Seat Slope



STABLE



ACTIVE

ARM & BACK SELECTION

ARMS (PAIRS)

All arms are Height Adjustable, except for the FFHD/FFHF.

TAHD T Arm Adjustable Height Desk Length w/ Locking Pins \$372

REDL Removable N°4 Desk Length (Single Point Arm) \$372

REFL Removable N°4 Full Length (Single Point Arm) \$372

Not available on D16.

LESSARMS Less Arms No Charge

BACK TYPE

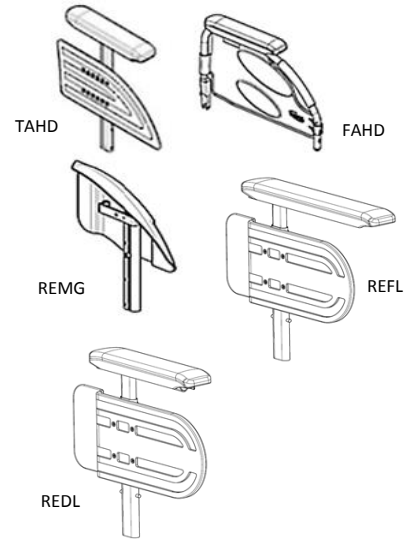
All backs canes come with Push Handles.

FIX02P Fixed 0° Backrest, 2 Position Upholstery Ht 16"/17", Cane Ht 20" No Charge

Add 2.3" (height of bend) for overall cane height.

FIX020 Fixed 0° Backrest Upholstery Ht 20", Cane Ht 23" \$88

Add 2.3" (height of bend) for overall cane height.



CASTER & WHEEL OPTIONS

CASTER OPTIONS

AT903 8" X 1 1/4" Composite Urethane Casters **Standard**

AT1292 8" X 1 1/4" Pneumatic Casters No Charge

1492 Flat Free Inserts for 8" X 1 1/4" Casters * \$123

WHEEL OPTIONS

1763BK 20" Composite Pneumatic Tires \$231

4763BK 20" Composite Pneumatic Flat Free Inserts* \$349

U1763BK 20" Composite Urethane Tires No Charge

1764BK 22" Composite Pneumatic Tires \$231

4764BK 22" Composite Pneumatic Flat Free Inserts* \$349

* Options marked with an asterisk are not covered by AADL and are the client's financial responsibility.

U1764BK 22" Composite Urethane Tires No Charge

U2222C 24" Composite Urethane Corded Tires No Charge

2244BK 24" Composite Pneumatic Tires No Charge

4244BK 24" Composite Pneumatic w/FF Inserts* \$128

U2244BK 24" Composite Urethane Tires No Charge

HANDRIM OPTIONS

<input type="checkbox"/> ALUMPC	Aluminum Anodized Handrims <i>Not available with U2222C</i>	Standard
<input type="checkbox"/> A1512	Plastic Coated Handrims	\$114
<input type="checkbox"/> COM	Composite Handrim <i>Only Available on 24" Composite Rear Wheels.</i>	No Charge
<input type="checkbox"/> AT1224-8	Plastic Coated w/8 Oblique Projections <i>Available on 24" rear wheels only. Not available on Spoked Rear Wheels.</i>	\$307
<input type="checkbox"/> AT1225-8	Plastic Coated w/8 Vertical Projections <i>Only available on 2244BK, 4244BK or U2244BK</i>	\$307
<input type="checkbox"/> AT1225-12	Plastic Coated w/12 Vertical Projections <i>Available on 24" rear wheels only. Not available on Spoked Rear Wheels.</i>	\$307
<input type="checkbox"/> L8702	Omit Handrims Only	Less net (\$15)

WHEEL LOCKS

<input type="checkbox"/> WLPULL	Pull-To-Lock Wheel Lock (<i>Clamp-On Style</i>) <i>Not available together with: FSTF14 and 20" rear wheels, FSTF15 and 22" rear wheels or FSTF16 and 24" rear wheels</i>	No Charge
<input type="checkbox"/> WLPUSH	Push-To-Lock Wheel Lock (<i>Clamp-On Style</i>)	No Charge
<input type="checkbox"/> WLPULLX	Pull-To-Lock Wheel Lock w/ Wheel Lock Extensions (<i>Clamp-On Style</i>) <i>Not available together with: FSTF14 and 20" rear wheels, FSTF15 and 22" rear wheels or FSTF16 and 24" rear wheels</i>	No Charge
<input type="checkbox"/> WLPUSHX	Push-To-Lock Wheel Lock w/ Wheel Lock Extensions (<i>Clamp-On Style</i>)	No Charge



WLPUSH

WHEEL LOCK ACCESSORIES

<input type="checkbox"/> A1576	MVP™ Style Wheel Lock Extension (6") <i>Not compatible with PULL to lock wheellocks. Must be ordered on a separate line.</i>	\$63
--------------------------------	---	------

REAR AXLES

<input type="checkbox"/> A1577	Quick Release Axles	Standard
--------------------------------	---------------------	-----------------

FRAME & UPHOLSTERY COLOUR

CONTEMPORARY

<input type="checkbox"/> 24P	Wet Black	No Charge
<input type="checkbox"/> 105P	Midnight Blue	No Charge

SEAT UPHOLSTERY TYPE

<input type="checkbox"/> USS	Nylon w/ Hook & Loop Seat Upholstery	Standard
<input type="checkbox"/> USP	Padded Nylon Seat Upholstery	No Charge
<input type="checkbox"/> L8651	Omit Seat Upholstery	Less net (\$15)

BACK UPHOLSTERY TYPE

<input type="checkbox"/> ADJNYL	Contour Tension Adjustable Nylon Back <i>Includes backbrace. 2" high straps at top and bottom, 1" high straps in centre.</i>	No Charge
<input type="checkbox"/> ADJTENS	Adjustable Tension Back Upholstery <i>Includes backbrace. 1.75" high straps throughout.</i>	\$142
<input type="checkbox"/> L8601	Omit Back Upholstery <i>Backbrace not included.</i>	Less (\$20)

POSITIONING STRAPS

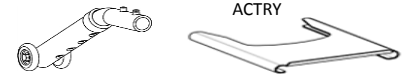
SEAT POSITIONING

- A1515 Auto Style Seat Positioning Strap \$84
- A1321 Hook & Loop Seat Positioning Strap \$66

MISC. ACCESSORIES

- P1580 Rear Anti Tippers (pair) \$109
- A1569 Cane Holder * \$66
- A1580P Tipping Aid (pair)* \$114
- Not available with FSTF14.*
- ACTRY Acrylic Tray * \$270
- A1337 Calf/leg Strap \$63

- HLOOP Heel Loops \$79
- Not available with A9342 ("H" Heel Strap) or ELVSWING (Elevating Legrest Swing In/Out).*



FRONT RIGGING OPTIONS

FRONT RIGGING (PAIRS)

- 70STRGHT 70° Straight Swing In/Out Hanger with Quad Release \$250
- 80STRGHT 80° Straight Swing In/Out Hanger with Quad Release \$250



- NO FRONTRIG Omit Front Rigging Selection No Charge

AMPUTEE LEGRESTS

- If a full set of hangers is needed plus an amputee legrest, please order legrests in configurator then order part# 1169054 for AMPLEGRT, 1169055 for AMPLEGLT. Receive on chair MSRP of \$120 ea.*
- AMPLEGRT Amputee Legrest Right Side Only (select OMITRT in configurator) \$125
- AMPLEGLT Amputee Legrest Left Side Only (select OMITLT in configurator) \$125

FOOTPLATE TYPE (PAIRS)

- FLIPFTS Flip Up Footplates No Charge
- Not Available on 90STRGHT (90° Straight Swing In/Out Hanger).*
- FLPDADJ Flip Up Depth & Angle Adj. Footplates \$135
- 1PCFTPT One Piece Footplate \$135



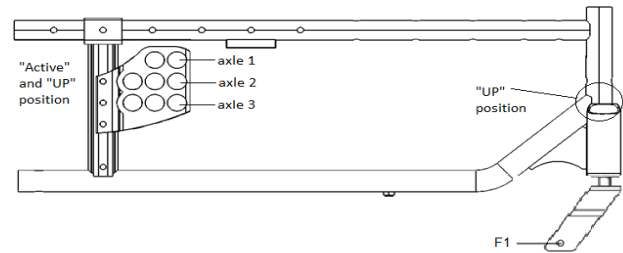
		Pivot Tube part number		Knee-to-heel range (from seat rail to top of foot plate)
MYONAC (standard weight cap)	FLIPFTS (Composites), FLPDADJ (Angle/Depth Adjustable). Includes all hangers and elev legs	FSTF14	Superlow 1541994	FLIPFTS: 13"-16.25" FLPDADJ: 13.25"-18.25"
		FSTF15 - FSTF16	Short 1434561-0010	FLIPFTS: 13.25"-18.25" FLPDADJ: 13"-18"
		FSTF17 - FSTF20	Short 1434561-0010	FLIPFTS: 13.25"-18.25" FLPDADJ: 13"-18"
	1PCFTPT (one piece footplate)	FSTF15 - FSTF20	Same tube for height range, tube depends on width (comes with plate)	13.5"-18.25"

* Options marked with an asterisk are not covered by AADL and are the client's financial responsibility.

		Pivot Tube part number		Knee-to-heel range (from seat rail to top of foot plate)
MYON AC HDPG (Heavy duty package)	FLIPFTS (Composites)	FSTF14	Superlow 1541994	FLIPFTS: 13"-16.25" FLPDADJ: 13.25"-16.25"
		FSTF15 - FSTF16	Short 1434561-0010	FLIPFTS: 13.25"-18.25" FLPDADJ: 13"-18"
		FSTF17 - FSTF20	Short 1434561-0010	FLIPFTS: 13.25"-18.25" FLPDADJ: 13"-18"
	FLPDADJ (Angle/Depth Adjustable)	FSTF15 - FSTF20	Same pivot tube for full range	13.5"-18.25"
	1PCFTPT (one piece footplate)	FSTF15 - FSTF20	Same tube for height range, tube depends on width (comes with plate)	13.5"-18.25"

Seat-To-Floor Chart with Super Low Fork

Flush Seat Slope		Wheel Size and Axle position			Fork Position and Caster Size	
Front STF	Rear STF	Axle plate in "UP" position			Fork in "UP" position	Fork in "DOWN" position
14" FSTF	14" FSTF	axle 1	axle 2	axle 1	F1	F1
15" FSTF	15" FSTF	axle 2	axle 1			F1



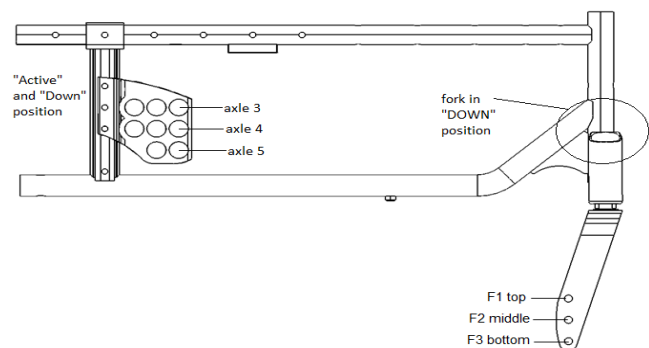
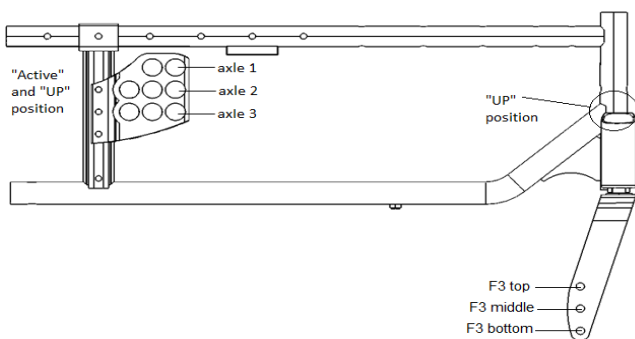
1" Seat Slope		Wheel Size and Axle position			Fork Position and Caster Size	
Front STF	Rear STF	Axle plate in "UP" position			Fork in "UP" position	Fork in "DOWN" position
14" FSTF	14" FSTF				F1	5"
15" FSTF	15" FSTF	axle 1				F1

MyOn AC STF Chart using regular fork, (excludes 14" FSTF) - General Guideline

Flush Seat Slope		Wheel Size and Axle Position			Fork Position & Caster Size F1=1 hole fork, F2=2 holes, F3=3 holes					
Front STF	Rear STF	20"	22"	24"	Fork in "UP" position			Fork in "DOWN" position		
15" FSTF	15" RSTF	axle 2	axle 1	axle 1	F1			F1		
16" FSTF	16" RSTF	axle 3	axle 2	axle 1		F3 top				
17" FSTF	17" RSTF	axle 4	axle 3	axle 2	F2 bottom	F3 middle			F3 top	
18" FSTF	18" RSTF	axle 5	axle 4	axle 3		F3 bottom	F3 middle	F2 bottom	F3 middle	
19" FSTF	19" RSTF		axle 5	axle 4			F3 bottom		F3 bottom	F3 middle
20" FSTF	20" RSTF			axle 5						F3 bottom

1" Seat Slope		Wheel Size and Axle position			Fork Position & Caster Size F1=1 hole fork, F2=2 holes, F3=3 holes					
Front STF	Rear STF	20"	22"	24"	Fork in "UP" position			Fork in "DOWN" position		
15" FSTF	14" RSTF	axle 1			F1					
16" FSTF	15" RSTF	axle 2	axle 1			F3 top		F1		
17" FSTF	16" RSTF	axle 3	axle 2	axle 1	F2 bottom	F3 middle			F3 top	
18" FSTF	17" RSTF	axle 4	axle 3	axle 2		F3 bottom	F3 middle	F2 bottom	F3 middle	
19" FSTF	18" RSTF	axle 5	axle 4	axle 3			F3 bottom		F3 bottom	F3 middle
20" FSTF	19" RSTF		axle 5	axle 4						F3 bottom

2" Seat Slope		Wheel Size and Axle position			Fork Position & Caster Size F1=1 hole fork, F2=2 holes, F3=3 holes					
Front STF	Rear STF	20"	22"	24"	Fork in "UP" position			Fork in "DOWN" position		
15" FSTF	13" RSTF									
16" FSTF	14" RSTF	axle 1				F3 top		F1		
17" FSTF	15" RSTF	axle 2	axle 1		F2 bottom	F3 middle			F3 top	
18" FSTF	16" RSTF	axle 3	axle 2	axle 1		F3 bottom	F3 middle	F2 bottom	F3 middle	
19" FSTF	17" RSTF	axle 4	axle 3	axle 2			F3 bottom		F3 bottom	F3 middle
20" FSTF	18" RSTF	axle 5	axle 4	axle 3						F3 bottom



Select cushion and/or back from this list. Seating will ship separately.
 Order must be entered by Invacare Customer Service.

CUSHIONS:

<input type="checkbox"/>	MA1616-Vi	MaTRx-Vi Cushion 16Wx 16D	\$624
<input type="checkbox"/>	MA1618-Vi	MaTRx-Vi Cushion 16Wx 18D	\$624
<input type="checkbox"/>	MA1816-Vi	MaTRx-Vi Cushion 18Wx 16D	\$624
<input type="checkbox"/>	MA1818-Vi	MaTRx-Vi Cushion 18Wx 18D	\$624
<input type="checkbox"/>	MA2016-Vi	MaTRx-Vi Cushion 20Wx 16D	\$681
<input type="checkbox"/>	MA2018-Vi	MaTRx-Vi Cushion 20Wx 18D	\$681
<input type="checkbox"/>	MA2020-Vi	MaTRx-Vi Cushion 20Wx 20D	\$681
<input type="checkbox"/>	PS1616	MaTRx Posture Seat 16W x 16D	\$569
<input type="checkbox"/>	PS1618	MaTRx Posture Seat 16W x 18D	\$569
<input type="checkbox"/>	PS1816	MaTRx Posture Seat 18W x 16D	\$569
<input type="checkbox"/>	PS1818	MaTRx Posture Seat 18W x 18D	\$569
<input type="checkbox"/>	PS2016	MaTRx Posture Seat 20W x 16D	\$569
<input type="checkbox"/>	PS2018	MaTRx Posture Seat 20W x 18D	\$569
<input type="checkbox"/>	PS2020	MaTRx Posture Seat 20W x 20D	\$569
<input type="checkbox"/>	PSVF1616	MaTRx Posture Seat with Visco foam 16W x 16D	\$672
<input type="checkbox"/>	PSVF1618	MaTRx Posture Seat with Visco foam 16W x 18D	\$672
<input type="checkbox"/>	PSVF1816	MaTRx Posture Seat with Visco foam 18W x 16D	\$672
<input type="checkbox"/>	PSVF1818	MaTRx Posture Seat with Visco foam 18W x 18D	\$672
<input type="checkbox"/>	PSVF2016	MaTRx Posture Seat with Visco foam 20W x 16D	\$672
<input type="checkbox"/>	PSVF2018	MaTRx Posture Seat with Visco foam 20W x 18D	\$672
<input type="checkbox"/>	PSVF2020	MaTRx Posture Seat with Visco foam 20W x 20D	\$672
<input type="checkbox"/>	DAR-S	Startex Modification - Wipeable Smooth Side Out Cover for Cushions <i>(Must specify cushion model/size) Price listed for purchases with cushion only.</i>	\$53
<input type="checkbox"/>	FT1616-A	Flo-Tech Cushion 16Wx 16D	\$724
<input type="checkbox"/>	FT1618-A	Flo-Tech Cushion 16Wx 18D	\$724
<input type="checkbox"/>	FT1816-A	Flo-Tech Cushion 18Wx 16D	\$724
<input type="checkbox"/>	FT1818-A	Flo-Tech Cushion 18Wx 18D	\$724
<input type="checkbox"/>	FT2016-A	Flo-Tech Cushion 20Wx 16D	\$830
<input type="checkbox"/>	FT2018-A	Flo-Tech Cushion 20Wx 18D	\$830
<input type="checkbox"/>	FT2020-A	Flo-Tech Cushion 20Wx 20D	\$830

BACKS:

<input type="checkbox"/>	PBE1616	MaTRx PB Elite Back 16W x 16H	\$766
<input type="checkbox"/>	PBE1716	MaTRx PB Elite Back 17W x 16H	\$766
<input type="checkbox"/>	PBE1816	MaTRx PB Elite Back 18W x 16H	\$766
<input type="checkbox"/>	PBE1916	MaTRx PB Elite Back 19W x 16H	\$766
<input type="checkbox"/>	PBE2016	MaTRx PB Elite Back 20W x 16H	\$766
<input type="checkbox"/>	EDB1616	MaTRx PB Deep Elite Back 16W x 16H	\$918
<input type="checkbox"/>	EDB1716	MaTRx PB Deep Elite Back 17W x 16H	\$918
<input type="checkbox"/>	EDB1816	MaTRx PB Deep Elite Back 18W x 16H	\$918
<input type="checkbox"/>	EDB1916	MaTRx PB Deep Elite Back 19W x 16H	\$918
<input type="checkbox"/>	EDB2016	MaTRx PB Deep Elite Back 20W x 16H	\$918
<input type="checkbox"/>	MPB1616	MaTRx-PB Posture Back 16W x 16H	\$734
<input type="checkbox"/>	MPB1716	MaTRx-PB Posture Back 17W x 16H	\$734
<input type="checkbox"/>	MPB1816	MaTRx-PB Posture Back 18W x 16H	\$734
<input type="checkbox"/>	MPB2016	MaTRx-PB Posture Back 20W x 16H	\$734
<input type="checkbox"/>	MPBD1616	MaTRx-PB Deep Posture Back 16W x 16H	\$892
<input type="checkbox"/>	MPBD1716	MaTRx-PB Deep Posture Back 17W x 16H	\$892
<input type="checkbox"/>	MPBD1816	MaTRx-PB Deep Posture Back 18W x 16H	\$892
<input type="checkbox"/>	MPBD2016	MaTRx-PB Deep Posture Back 20W x 16H	\$892
<input type="checkbox"/>	EBSS	Supersoft Foam Upgrade - Available for Elite, Elite Deep and Elite Heavy Duty backs <i>(Must specify back model/size). Price listed for purchases with back support only.</i>	\$103
<input type="checkbox"/>	WSC	Startex Extra Cover - Wipeable Slip Cover for Backs <i>(Must specify back model/size). Price listed for purchases with back support only.</i>	\$103

Invacare Canada reserves the right to change prices and specifications without notice.

HEAD OFFICE - 570 Matheson Blvd, Unit# 8, Mississauga, ON L4Z 4G4 Phone: (905) 890-8300 (800) 668-5324(Canada) Fax: (905) 890-5244 (800) 668-5478(Canada)
 Regional Centre - 16769 Boul. Hymus, Kirkland, P.Q. H9H 3L4 Phones: (514) 630-6080 (800) 363-0137(P.Q.) Fax: (514) 630-6120

Invacare®, and Yes, you can., are trademarks of Invacare Corporation.

WWW.INVACARE.CA